

Source: TSG-T

Title: 3GPP TSG-T Position paper on “Supplement to Recommendation Q.1701” from ITU-T WP 3/11”

1 Position of 3GPP TSG-T

3GPP TSG-T has studied the Supplement to Recommendation Q.1701 (Framework for IMT-2000 Networks) with great interest and would like to emphasise its position with respect to the development of U(S)IM specifications.

3GPP TSG-T is the group within 3GPP responsible for and committed to the development of Terminal related specifications based on a GSM evolved Core Network with the UTRAN Access Network. This responsibility includes e.g. the specifications for the MT-U(S)IM and CN-U(S)IM interfaces for 3GPP.

The work on the USIM specifications for Release99 has been progressing during the whole year 1999 and the relevant specifications have been created. The work has taken the GSM Release98 specifications as a basis and evolved it into the current 3GPP Release99 specifications.

Since the backward compatibility to the GSM SIM interfaces and services is of vital interest to 3GPP, 3GPP TSG-T is of the firm opinion that the protocol specifications for the MT-U(S)IM and CN-U(S)IM interfaces is fundamentally the responsibility of each family member and that it is up to ITU-T to provide commonality and global roaming details between family members. This is also consistent with the situation for the MT-RAN interface as well as for the MT-CN interface.

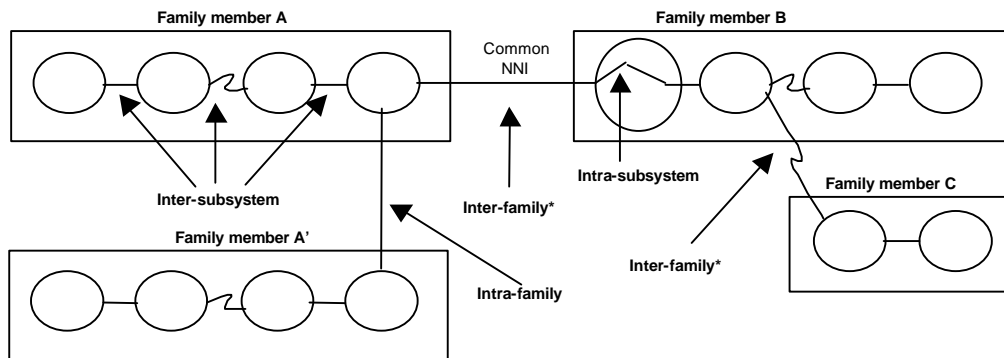
3GPP TSG-T would also like to point out that there are ongoing activities consistent with the OHG to harmonise the USIM and RUM activities currently underway in 3GPP and 3GPP2.

In the light of the above, 3GPP TSG-T would like to state clearly that the continuation of the work on document Q.1741 (and possible subsequent development of Stage 3 Recommendations) is a duplication of the work done by 3GPP TSG-T and other 3GPP committees and that such duplication is bound to lead to incompatibilities. 3GPP TSG-T instead welcomes the members of ITU-T SG11 WP3/11 to attend the 3GPP TSG-T meetings.

2 Proposed changes to the Supplement to Recommendation Q.1701

The main changes that 3GPP TSG-T would like to see on the Supplement to Recommendation Q.1701 (Framework for IMT-2000 Networks) are indicated below.

1) The Figure 3.2/Q.1701 Supplement should be replaced by the following figure.



* Within ITU-T Domain

2) A new table with the 3GPP Terminal specifications should be included:

7.1.3 Terminals

Specification	Title	Comment
3GPP 3G TS 21.111	USIM and IC Card Requirements	<p>This document defines the requirements of the USIM (Universal Subscriber Identity Module) and the IC card for 3GPP (UICC). These are derived from the service and security requirements defined in 3GPP 22.100, 22.101 and 33.101. The USIM is a 3GPP application on an IC card. It interoperates with a 3GPP terminal and provides access to 3GPP services.</p> <p>It is intended to serve as a basis for the detailed specification of the USIM and the UICC, and the interface to the 3GPP terminal.</p>
3GPP 3G TS 31.101	UICC - Terminal Interface; Physical and Logical Characteristics	<p>This document specifies the interface between the UICC and the Terminal for 3GPP telecom network operation. This document specifies:</p> <ul style="list-style-type: none"> - the requirements for the physical characteristics of the UICC; - the electrical interface between the UICC and the Terminal; - the initial communication establishment and the

		<ul style="list-style-type: none">- transport protocols;- the model which serves as a basis for the logical structure of the UICC;- the communication commands and the procedures;- the application independent files and protocols. <p>The administrative procedures and initial card management are not part of this document.</p>
3GPP 3G TS 31.102	Characteristics of the USIM Application	<p>This document defines the USIM application for 3GPP telecom network operation.</p> <p>The document specifies:</p> <ul style="list-style-type: none">- specific command parameters;- file structures;- contents of Elementary Files;- security functions;- application protocol to be used on the interface between UICC (USIM) and terminal. <p>This is to ensure interoperability between a USIM and a terminal independently of the respective manufacturer, card issuer or operator. This specification does not define any aspects related to the administrative management phase of the USIM. Any internal technical realisation of either the USIM or the terminal is only specified where these are reflected over the interface. This specification does not specify any of the security algorithms which may be used.</p>