
TSG-SA WG 1 (Services) meeting #12
Helsinki, Finland, 7-11 May 2001

TSG S1 (01) 591
Agenda Item:

Title: LS regarding User Profile
Source: SA1
To: T2, SA2, SA3
Cc: SA, SA4, SA5
Attachments: S1-010435, Discussion Paper on User Profile

Contact Person:

Name: Linda Werneman
E-mail Address: linda.werneman@ericsson.com
Tel. Number: +46 46 231646

The trend of introducing several domains within the 3GPP mobile system (i.e. Circuit-Switched, Packet-Switched, IP Multimedia Subsystem and the Service/Application domains) introduces also a wide distribution of data associated to the user. This data is called the User Profile. Already, several 3GPP WGs specify some parts of the User Profile in their own descriptive methods.

The variety of description methods will increase the probability for overlap and inconsistency to occur. Therefore, one single description method would be preferred.

SA1 see a need to co-ordinate the definition of the User Profile within 3GPP.

SA1 would therefore suggest to start a cross WG ad-hoc to solve the problems of defining User Profile.

In order to be productive, SA1 suggests that interested companies co-ordinate internally and send their experts within the User Profile area to keep the attendance to a fairly low number. SA1 will take the responsibility of this ad-hoc group.

SA1 suggests that a first meeting will take place in June.

SA1 is looking forward to interesting and efficient work with T2, SA2 and SA3 regarding User Profile.

Title: User Profiles
Source: Ericsson LM

1 Introduction

The trend of introducing several domains within the 3GPP mobile system (i.e. Circuit-Switched, Packet-Switched, IP Multimedia Subsystem and the Service/Application domains) introduces also a wide distribution of data associated to the user. This data is called the User Profile. Already, several 3GPP WGs specify some parts of the User Profile in their own descriptive methods.

This contribution addresses the need for co-ordination of the definition of the User Profile within 3GPP.

2 Discussion

2.1 Distribution Model of the User Profile

The distribution aspects of the User Profile has already been recognised and documented in the draft TS 22.121. Figure 1 has been extracted from the TS 22.121 (version 5.0.0).

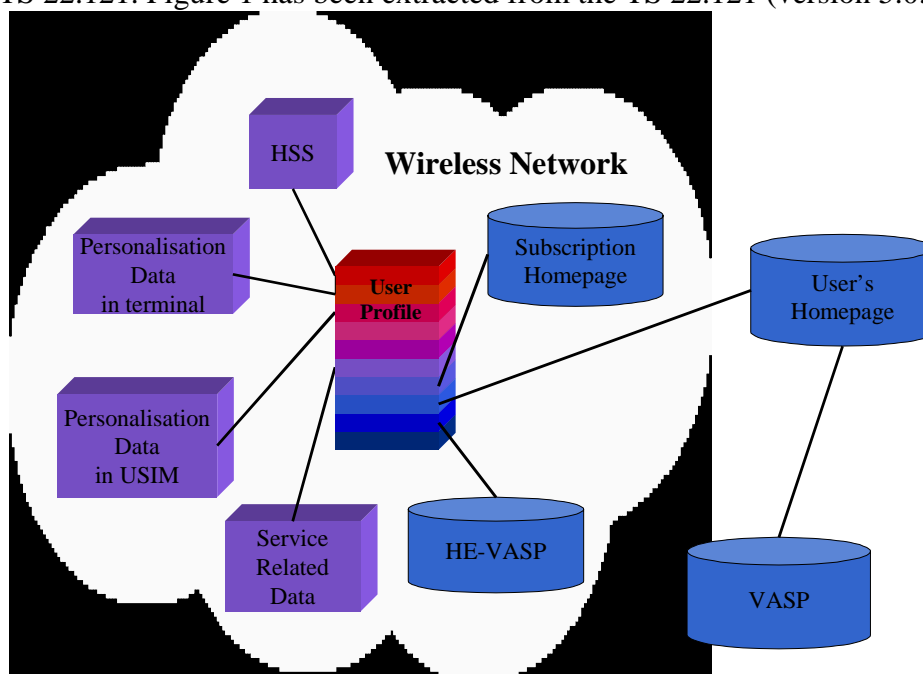


Figure 1: Distribution Model of the User Profile (see Figure 3 of TS 22.121, Version 5.0.0)

Figure 1 shows the distribution aspects of the User Profile from a system perspective. Within this Figure 1, it becomes clear that the distribution aspect is necessary due to the specific data elements within the User Profile (e.g. terminal focused data, subscription data, service related

data). The distribution aspect also results in that different 3GPP WGs will specify the details of the User Profiles.

The distribution aspect of the User Profile can also be seen from a terminal perspective (see Figure 2). Also in this case, it is clearly shown that the User Profile needs to be specified by different 3GPP WGs.

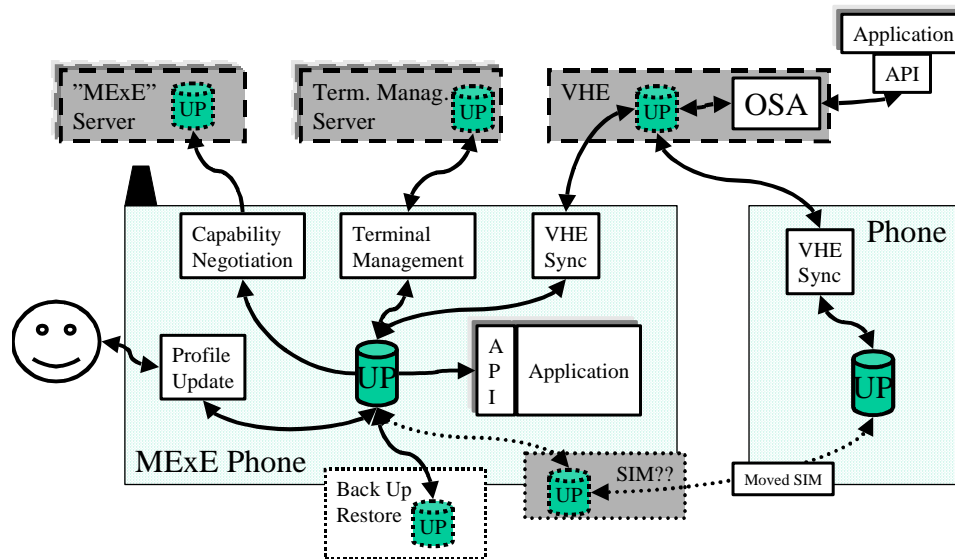


Figure 2 Data Distribution Model from a MeXE point of view.

2.2 Need for a uniform User Profile Description Method

The involvement of different 3GPP WGs in the specification of the details of the User Profile introduces the possibility of overlapping of the User Profile specification that can cause incompatibility between different components of the User Profile. Therefore, a strong co-ordination is required to avoid these situations.

One way to resolve the issue is to allocate one single WG that will address the complete specification of the User Profile. Although this approach seems to be very attractive to avoid any inconsistencies, it will also result in an extensive Liaison activity to consult the experts who are distributed between the 3GPP WGs. This way of working has been proven not to be the most efficient.

Another approach is to unify the description methods to specify the User Profile. Already several description methods have been used within the 3GPP specifications for capabilities of 3GPP Release 4 and earlier. Examples are ASN.1, textual, CC/PP – RDF, UML/IDL, XML schemas etc. This variety of description methods will increase the probability that inconsistency will occur. **Therefore, a single description method would be preferred.**

2.3 External 3GPP Activities

It has been noted that external forums are set up to address certain aspects that have influence on the User Profile. One example is the SyncML Device Management group (Ericsson, Nokia, Motorola, IBM and others). These forums will specify their documents in a speedy pace and they will not delay their work plans until 3GPP will take action on this issue.

Therefore, a 3GPP SA1 Ad Hoc activity is strongly recommended to co-ordinate the User Profile activities within the 3GPP and also to liaise with the external forums.

3 Proposal

The proposal is to create an SA1 Ad Hoc activity to address the User Profile Description Method, in co-operation with 3GPP T2 for their expertise in services and applications as well as in MExE and SyncML.

The following Terms of Reference are proposed:

- Define the User Profile Description Method (e.g. concept and language)
- Define the categorisation of User Profile components and identify the most appropriate 3GPP WG to define these User Profile components
- Open participation of members of other relevant forums that have activities in the area of User Profiles