

# TS 25.101 V3.0.0 (1999-10)

---

*Technical Specification*

## **3<sup>rd</sup> Generation Partnership Project (3GPP) Technical Specification Group (TSG) RAN WG4 UE Radio transmission and Reception (FDD)**

---



The present document has been developed within the 3<sup>rd</sup> Generation Partnership Project (3GPP™) and may be further elaborated for the purposes of 3GPP.

The present document has not been subject to any approval process by the 3GPP Organisational Partners and shall not be implemented.  
This Specification is provided for future development work within 3GPP only. The Organisational Partners accept no liability for any use of this

Reference

---

<Workitem>

Keywords

---

<keyword[, keyword]>

**3GPP**

Postal address

---

Office address

---

Internet

---

[secretariat@3gpp.org](mailto:secretariat@3gpp.org)

Individual copies of this deliverable  
can be downloaded from

<http://www.3gpp.org>

All rights reserved

---

# Contents

Intellectual Property Rights .....	6
Foreword.....	6
1 Scope .....	6
2 References .....	6
3 Definitions, symbols and abbreviations .....	7
3.1 Definitions.....	7
3.2 Symbols.....	7
3.3 Abbreviations.....	7
4 General .....	10
4.1 Measurement uncertainty .....	10
5 Frequency bands and channel arrangement.....	11
5.1 General.....	11
5.2 Frequency bands .....	11
5.3 TX–RX frequency separation .....	11
5.4 Channel arrangement .....	11
5.4.1 Channel spacing .....	11
5.4.2 Channel raster.....	11
5.4.3 Channel number .....	11
6 Transmitter characteristics .....	13
6.1 General.....	13
6.2 Transmit power .....	13
6.2.1 UE maximum output power .....	13
6.3 Frequency stability .....	13
6.4 Output power dynamics .....	13
6.4.1 Open loop power control .....	14
6.4.2 Inner loop power control in the uplink .....	14
6.4.2.1 Power control steps .....	14
6.4.2.1.1 Minimum requirement .....	14
6.4.3 Minimum transmit output power.....	14
6.4.3.1 Minimum requirement .....	15
6.4.4 Power control cycles per second .....	15
6.5 Transmit ON/OFF power .....	15
6.5.1 Transmit OFF power .....	15
6.5.1.1 Minimum requirement .....	15
6.5.2 Transmit ON/OFF Time mask.....	15
6.5.2.1 Minimum requirement .....	15
6.5.3 Transmit Discontinuous Transmission (DTX) .....	15
6.5.3.1 Minimum requirement .....	16
6.6 Output RF spectrum emissions .....	17
6.6.1 Occupied bandwidth.....	17
6.6.2 Out of band emission.....	17
6.6.2.1 Spectrum emission mask.....	17
6.6.2.1.1 Minimum requirement .....	17
6.6.2.2 Adjacent Channel Leakage power Ratio (ACLR).....	17
6.6.2.2.1 Minimum requirement .....	17
6.6.3 Spurious emissions .....	18
6.6.3.1 Minimum requirement .....	18
6.7 Transmit intermodulation.....	19
6.7.1 Minimum requirement.....	19
6.8 Transmit modulation.....	19
6.8.1 Transmit pulse shape filter .....	19
6.8.2 Modulation Accuracy .....	19

6.8.2.1	Minimum requirement .....	19
6.8.3	Peak code domain error .....	20
6.8.3.1	Minimum requirement .....	20
7.0	Receiver characteristics .....	21
7.1	General .....	21
7.2	Diversity characteristics .....	21
7.3	Reference sensitivity level .....	21
7.3.1	Minimum requirement .....	21
7.4	Maximum input level .....	22
7.4.1	Minimum requirement .....	22
7.5	Adjacent Channel Selectivity (ACS) .....	22
7.5.1	Minimum requirement .....	22
7.6	Blocking characteristics .....	23
7.6.1	Minimum requirement .....	23
7.7	Spurious response .....	23
7.7.1	Minimum requirement .....	23
7.8	Intermodulation characteristics .....	24
7.8.1	Minimum requirement .....	24
7.9	Spurious emissions .....	24
7.9.1	Minimum requirement .....	24
8	Performance requirement .....	25
8.1	General .....	25
8.2	Demodulation in static propagation conditions .....	25
8.2.1	Demodulation of Paging Channel (PCH) .....	25
8.2.1.1	Minimum requirement .....	25
8.2.2	Demodulation of Forward Access Channel (FACH) .....	27
8.2.2.1	Minimum requirement .....	27
8.2.3	Demodulation of Dedicated Channel (DCH) .....	28
8.2.3.1	Minimum requirement .....	28
8.3	Demodulation of DCH in multi-path fading propagation conditions .....	29
8.3.1	Single Link Performance .....	29
8.3.1.1	Minimum requirement .....	29
8.4	Demodulation of DCH in moving propagation conditions .....	32
8.4.1	Single link performance .....	32
8.4.1.1	Minimum requirement .....	32
8.5	Demodulation of DCH in birth-death propagation conditions .....	33
8.5.1	Single link performance .....	33
8.5.1.1	Minimum requirement .....	33
8.6	Demodulation of DCH in Base Station Transmit diversity modes .....	34
8.6.1	Demodulation of DCH in open-loop transmit diversity mode .....	34
8.6.1.1	Minimum requirement .....	34
8.6.2	Demodulation of DCH in feedback transmit diversity mode .....	35
8.6.2.1	Minimum requirement .....	35
8.6.3	Demodulation of DCH in Site Selection Diversity Transmission mode .....	36
8.6.3.1	Minimum Requirements .....	36
8.7	Demodulation in Handover conditions .....	38
8.7.1	Inter-Cell Soft Handover Performance .....	38
8.7.1.1	Minimum requirement .....	38
8.8	Inner loop power control in downlink .....	40
8.8.1	Inner loop power control in the downlink .....	40
8.8.1.1	Minimum requirements .....	40
8.9	Outer loop power control in downlink .....	41
8.9.1	Outer loop power control in the downlink .....	41
8.9.1.1	Minimum requirements .....	41
Annex A (normative): Measurement channels .....		42
A.1	General .....	42
A.2	UL reference measurement channel .....	42
A.2.1	UL reference measurement channel (12.2 kbps) .....	42
A.2.2	UL reference measurement channel (64 kbps) .....	43
A.2.3	UL reference measurement channel (144 kbps) .....	45

A.2.4	UL reference measurement channel (384 kbps) .....	47
A.3	DL reference measurement channel .....	49
A.3.1	DL reference measurement channel (12.2 kbps) .....	49
A.3.2	DL reference measurement channel (64 kbps) .....	50
A.3.3	DL reference measurement channel (144 kbps) .....	52
A.3.4	DL reference measurement channel (384 kbps) .....	54
Annex B (normative): Propagation conditions .....		56
B.1	General .....	56
B.2	Propagation Conditions .....	56
B.2.1	Static propagation condition .....	56
B.2.2	Multi-path fading propagation conditions .....	56
B.2.3	Moving propagation conditions .....	56
B.2.4	Birth-Death propagation conditions .....	58
ANNEX C (Normative): Downlink Physical Channels .....		59
C.1	General .....	59
C.2	Connection Set-up .....	59
C.3.	During connection .....	59
Annex D (normative): Environmental conditions .....		60
D.1	General .....	60
D.2	Environmental requirements .....	60
D.2.1	Temperature .....	60
D.2.2	Voltage .....	60
D.2.3	Vibration .....	61
Annex E (Informative): Open items .....		62
Annex F (Informative): UE capabilities (FDD) .....		64
F.1	Baseline Implementation Capabilities .....	64
F.2	Service Implementation Capabilities .....	64
History .....		65

---

## Intellectual Property Rights

IPRs essential or potentially essential to the present document may have been declared to ETSI. The information pertaining to these essential IPRs, if any, is publicly available for **ETSI members and non-members**, and can be found in ETR 314: “Intellectual Property Rights (IPRs); Essential, or potentially Essential, IPRs notified to ETSI in respect of ETSI standards”, which is available **free of charge** from the ETSI Secretariat. Latest updates are available on the ETSI Web server (<http://www.etsi.fr/ipr>).

Pursuant to the ETSI Interim IPR Policy, no investigation, including IPR searches, has been carried out by ETSI. No guarantee can be given as to the existence of other IPRs not referenced in ETR 314 (or the updates on <http://www.etsi.fr/ipr>) which are, or may be, or may become, essential to the present document.

---

## Foreword

This Technical Specification has been produced by the 3GPP.

The contents of the present document are subject to continuing work within the TSG and may change following formal TSG approval. Should the TSG modify the contents of this TS, it will be re-released by the TSG with an identifying change of release date and an increase in version number as follows:

Version 3.y.z

where:

- x the first digit:
  - Presented to TSG for information;
  - Presented to TSG for approval;
  - Indicates TSG approved document under change control.
- Y the second digit is incremented for all changes of substance, i.e. technical enhancements, corrections, updates, etc.
- z the third digit is incremented when editorial only changes have been incorporated in the specification.

---

## 1 Scope

This document establishes the minimum RF characteristics of the FDD mode of UTRA for the User Equipment (UE).

---

## 2 References

The following documents contain provisions, which, through reference in this text, constitute provisions of the present document.

- References are either specific (identified by date of publication, edition number, version number, etc.) or non-specific.
- For a specific reference, subsequent revisions do not apply.
- For a non-specific reference, subsequent revisions do apply.

A non-specific reference to an ETS shall also be taken to refer to later versions published as an EN with the same number.

1. TS 25.213vx.y.z, Gain factor  $\beta$  ( see section 4.2.1)
2. ITU-R Recommendation SM.329-7, "Spurious emissions".

---

## 3 Definitions, symbols and abbreviations

### 3.1 Definitions

For the purposes of the present document, the following definitions apply:

Power Setting	The value of the control signal, which determines the desired transmitter, output Power. Typically, the power setting would be altered in response to power control commands
Maximum Power Setting	The highest value of the Power control setting which can be used.
Maximum output Power	This refers to the measure of average power at the maximum power setting.
Average power	
Peak Power	The instantaneous power of the RF envelope which is not expected to be exceeded for [99.9%] of the time
Maximum peak power	The peak power observed when operating at a given maximum output power.
Average transmit power	The average transmitter output power obtained over any specified time interval, including periods with no transmission.
Maximum average power	The average transmitter output power obtained over any specified time interval, including periods with no transmission, when the transmit time slots are at the maximum power setting.

### 3.2 Symbols

For the purposes of the present document, the following symbols apply:

<symbol>            <Explanation>

### 3.3 Abbreviations

For the purposes of the present document, the following abbreviations apply:

ACLR	Adjacent Channel Leakage power Ratio
ACS	Adjacent Channel Selectivity
AICH	Acquisition Indication Channel
BS	Base Station
BER	Bit Error Rate
BLER	Block Error Rate
CW	Continuous Wave (un-modulated signal)

CPICH	Common Pilot Channel
DCH	Dedicated Channel, which is mapped into Dedicated Physical Channel.
DL	Down Link (forward link)
DTX	Discontinuous Transmission
DPCH	Dedicated Physical Channel
$DPCH\_E_c$	Average energy per PN chip for DPCH.
$\frac{DPCH\_E_c}{I_{or}}$	The ratio of the received energy per PN chip of the DPCH to the total transmit power spectral density at the BS antenna connector.
EIRP	Effective Isotropic Radiated Power
$E_b$	Average energy per information bit for the PCCPCH, SCCPCH and DPCH, at the UE antenna connector.
$\frac{E_b}{N_t}$	The ratio of combined received energy per information bit to the effective noise power spectral density for the PCCPCH, SCCPCH and DPCH at the UE antenna connector. Following items are calculated as overhead: pilot, TPC, TFCI, CRC, tail, repetition, convolution coding and turbo coding.
$E_c$	Average energy per PN chip.
$\frac{E_c}{I_{or}}$	The ratio of the average transmit energy per PN chip for different fields or physical channels to the total transmit power spectral density.
FDD	Frequency Division Duplexing
FACH	Forward Access Channel
$F_{uw}$	Frequency of unwanted signal
Information Data Rate	Rate of the user information, which must be transmitted over the Air Interface. For example, output rate of the voice codec.
$I_o$	The total received power spectral density, including signal and interference, as measured at the UE antenna connector.
$I_{oc}$	The power spectral density of a band limited white noise source (simulating interference from other cells) as measured at the UE antenna connector.
$I_{or}$	The total transmit power spectral density of the Forward link at the base station antenna connector.
$\hat{I}_{or}$	The received power spectral density of the Forward link as measured at the UE antenna connector.
ISCP	Given only interference is received, the average power of the received signal after de-spreading to the code and combining. Equivalent to the RSCP value but now only interference is received instead of signal.
MER	Message Error Rate
$N_t$	The effective noise power spectral density at the UE antenna connector.
<i>OCNS</i>	Orthogonal Channel Noise Simulator, a mechanism used to simulate the users or control signals on the other orthogonal channels of a Forward link.



$OCNS\_E_c$	Average energy per PN chip for the OCNS.
$\frac{OCNS\_E_c}{I_{or}}$	The ratio of the average transmit energy per PN chip for the OCNS to the total transmit power spectral density.
PCCPCH	Primary Common Control Physical Channel
<i>PCH</i>	Paging Channel
$PCCPCH \frac{E_c}{I_o}$	The ratio of the received PCCPCH energy per chip to the total received power spectral density at the UE antenna connector.
$\frac{PCCPCH\_E_c}{I_{or}}$	The ratio of the average transmit energy per PN chip for the PCCPCH to the total transmit power spectral density.
PICH	Paging Indicator Channel
PPM	Parts Per Million
RACH	Random Access Channel
RSCP	Given only signal power is received, the average power of the received signal after de-spreading and combining
RSSI	Received Signal Strength Indicator
SCH	Synchronization Channel consisting of Primary and Secondary synchronization channels
<i>SCCPCH</i>	Secondary Common Control Physical Channel.
$SCCPCH\_E_c$	Average energy per PN chip for SCCPCH.
SIR	Signal to Interference ratio
SSDT	Site Selection Diversity Transmission
TDD	Time Division Duplexing
TFCI	Transport Format Combination Indicator
TPC	Transmit Power Control
UE	User Equipment
UL	Up Link (reverse link)
UTRA	UMTS Terrestrial Radio Access

---

## 4 General

### 4.1 Measurement uncertainty

The requirements given in these specifications are absolute. Compliance with these requirements is determined by comparing the measured values with the specified limits, without making allowance for measurement uncertainty.

---

## 5 Frequency bands and channel arrangement

### 5.1 General

The information presented in this section is based on a chip rate of 3.84 Mcps.

Note

1. Other chip rates may be considered in future releases.

### 5.2 Frequency bands

UTRA/FDD is designed to operate in either of the following paired bands;

- (a) 1920 – 1980MHz: Up-link (Mobile transmit, base receive)  
2110 – 2170MHz: Down-link (Base transmit, mobile receive)
- (b)\* 1850 – 1910MHz: Up-link (Mobile transmit, base receive)  
1930 – 1990MHz: Down-link (Base transmit, mobile receive)

Note: Appropriate adjustment is required for the parameters in the specified band

\* Used in Region 2

Additional allocations in ITU region 2 are FFS

Deployment in other frequency bands is not precluded.

### 5.3 TX–RX frequency separation

- (a) The minimum transmit to receive frequency separation is 134.8 MHz and the maximum value is 245.2 MHz when operating in the paired band defined in sub-clause 5.2 (a). All UE(s) shall support a TX –RX frequency separation of 190 MHz
- (b) UTRA/FDD can support both fixed and variable transmit to receive frequency separation.
- (c) The use of other transmit to receive frequency separations in other frequency bands shall not be precluded.

### 5.4 Channel arrangement

#### 5.4.1 Channel spacing

The nominal channel spacing is 5 MHz, but this can be adjusted to optimize performance in a particular deployment scenario.

#### 5.4.2 Channel raster

The channel raster is 200 kHz, which means that the center frequency must be an integer multiple of 200 kHz.

#### 5.4.3 Channel number

The carrier frequency is designated by the UTRA Absolute Radio Frequency Channel Number (UARFCN). The value of the UARFCN in the IMT2000 band is defined as follows;

**Table 1: UTRA Absolute Radio Frequency Channel Number**

Uplink	$N_u = 5 * (F_{\text{uplink}} - 1885.2 \text{ MHz})$	$1885.2 \text{ MHz} \leq F_{\text{uplink}} \leq 2024.8 \text{ MHz}$ where $F_{\text{uplink}}$ is the uplink frequency in MHz
Downlink	$N_d = 5 * (F_{\text{downlink}} - 2075.2 \text{ MHz})$	$2110.2 \text{ MHz} \leq F_{\text{downlink}} \leq 2199.8 \text{ MHz}$ where $F_{\text{downlink}}$ is the downlink frequency in MHz

## 6 Transmitter characteristics

### 6.1 General

Unless detailed the transmitter characteristic are specified at the antenna connector of the UE. For UE with integral antenna only, a reference antenna with a gain of 0 dBi is assumed. Transmitter characteristics for UE(s) with multiple antennas/antenna connectors are FFS.

The UE antenna performance has a significant impact on system performance, and minimum requirements on the antenna efficiency are therefore intended to be included in future versions of this specification. It is recognized that different requirements and test methods are likely to be required for the different types of UE.

All the parameters in Section 6 are defined using the UL reference measurement channel (12.2 Kbps) specified in Annex A.2.1

### 6.2 Transmit power

#### 6.2.1 UE maximum output power

The following Power Classes define the maximum output power;

**Table 2: UE Power Classes**

Power Class	Maximum output power	Tolerance
1	+33 dBm	+1/-3 dB
2	+27 dBm	+1/-3 dB
3	+24 dBm	+1/-3 dB
4	+21 dBm	± 2 dB

Note

1. The tolerance of the maximum output power is below the prescribed value even for the multi-code transmission mode

### 6.3 Frequency stability

The UE modulated carrier frequency shall be accurate to within  $\pm 0.1$  PPM compared to carrier frequency received from the BS. These signals will have an apparent error due to BS frequency error and Doppler shift. In the later case, signals from the BS must be averaged over sufficient time that errors due to noise or interference are allowed for within the above  $\pm 0.1$  PPM figure.

**Table 3: Frequency stability**

AFC	Frequency stability
ON	within $\pm 0.1$ PPM

### 6.4 Output power dynamics

Power control is used to limit the interference level

## 6.4.1 Open loop power control

Open loop power control is the ability of the UE transmitter to sets its output power to a specific value. The UE open loop power control tolerance is given in Table 4

**Table 4: Open loop power control**

Normal conditions	$\pm 9$ dB
Extreme conditions	$\pm 12$ dB

## 6.4.2 Inner loop power control in the uplink

Inner loop power control in the Uplink is the ability of the UE transmitter to adjust its output power in accordance with the TPC symbols received in the downlink.

### 6.4.2.1 Power control steps

The power control step is the minimum step change in the UL- transmitter output power in response to a power control command.

#### 6.4.2.1.1 Minimum requirement

The UE transmitter shall have the capability of setting the inner loop output power with a step sizes of 1, 2 and 3 dB

- The tolerance of the transmitter output power step due to inner loop power control shall be within the range shown in Table 5.
- The tolerance of the transmitter average output power step due to inner loop power control shall be within the range shown in Table 6

**Table 5: Transmitter power control tolerance**

Power control commands in the forward links	Transmitter power control tolerance					
	1 dB step size		2 dB step size		3 dB step size	
	Lower	Upper	Lower	Upper	Lower	Upper
Up	+0.5 dB	+1.5 dB	+1 dB	+3 dB	+1.5 dB	+4.5 dB
Down	-0.5 dB	-1.5 dB	-1 dB	-3 dB	-1.5 dB	-4.5 dB

**Table 6: Transmitter average power control tolerance**

Power control commands in the forward links	Transmitter power control tolerance after 10 equal commands (up or down)					
	1 dB step size		2 dB step size		3 dB step size	
	Lower	Upper	Lower	Upper	Lower	Upper
Up	+8 dB	+12 dB	+16 dB	+24 dB	+24 dB	+36 dB
Down	-8 dB	-12 dB	-16 dB	-24 dB	-24 dB	-36 dB

## 6.4.3 Minimum transmit output power

The minimum controlled output power of the UE is when the power control setting is set to a minimum value. This is when both the inner loop and open loop power control indicate a minimum transmit output power is required.

### 6.4.3.1 Minimum requirement

The minimum transmit power shall be better than  $-44$  dBm measured with a filter that has a Root-Raised Cosine (RRC) filter response with a roll off  $\alpha = 0.22$  and a bandwidth equal to the chip rate.

### 6.4.4 Power control cycles per second

The maximum rate of change for the UL/DL transmitter power control step.

Up link (UL) 1.5 kHz

Down link (DL) 1.5 kHz

## 6.5 Transmit ON/OFF power

### 6.5.1 Transmit OFF power

The transmit OFF power state is when the UE does not transmit except during UL DTX mode. This parameter is defined as the maximum output transmit power within the channel bandwidth when the transmitter is OFF.

#### 6.5.1.1 Minimum requirement

The requirement for the transmit OFF power shall be better than  $-50$  dBm measured with a filter that has a Root-Raised Cosine (RRC) filter response with a roll off  $\alpha = 0.22$  and a bandwidth equal to the chip rate

### 6.5.2 Transmit ON/OFF Time mask

The time mask for transmit ON/OFF defines the ramping time allowed for the UE between transmit OFF power and transmit ON power. Possible ON/OFF scenarios are RACH or UL slotted mode

#### 6.5.2.1 Minimum requirement

The transmit power levels versus time should meet the mask specified in figure 1

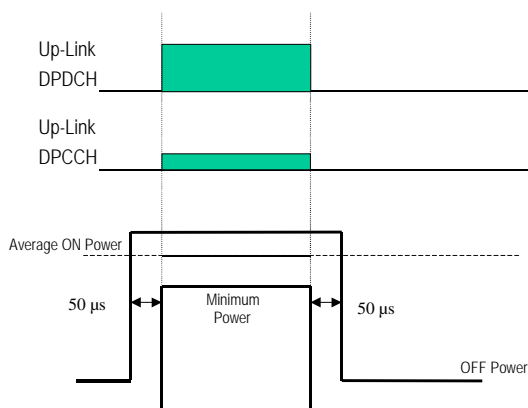


Figure 1: Transmit ON/OFF template

### 6.5.3 Transmit Discontinuous Transmission (DTX)

DTX is used to minimize the interference between UE(s) by reducing the UE transmit power when voice, user or control information is not present.

### 6.5.3.1 Minimum requirement

The transmit DTX template is specified when Uplink Dedicated Physical Data Channel (DPDCH) is turned OFF and when the DPDCH is turned ON. With reference to the template specified when the DPDCH is turned OFF (a) and when the DPDCH is turned ON (b)

Note

1.  $P_x$  [dB] and  $P_y$  [dB] is the average power of 1 slot excluding the  $50\mu s$  transient period
2.  $P_t$  [dB] is the average power during the period of the  $50\mu s$  transient
3.  $P_y - P_x$  should be within  $\pm 2$ dB of the theoretical power change
4.  $P_t$  should be between  $P_x$  and  $P_y$
5. \* Theoretical power change is specified by the Gain factor  $\beta$  (see 25.213v x.y.z section 4.2.1)

#### (a) DTX template when DPDCH is turned OFF

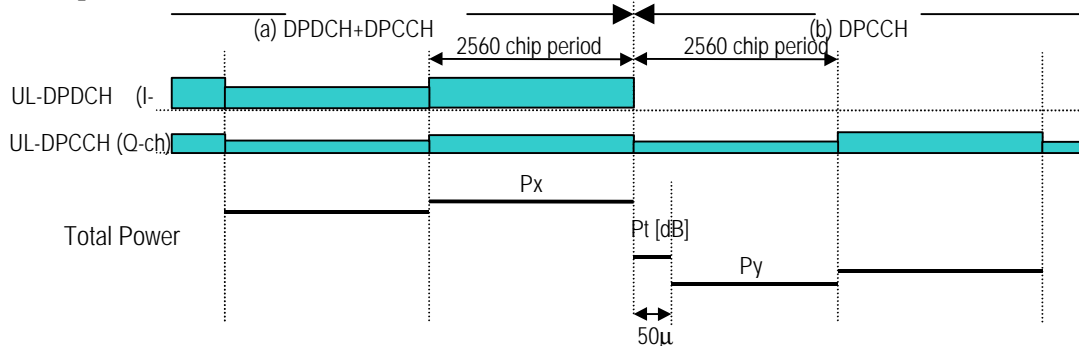


Figure 2a; Uplink Transmit DTX (DPDCH is turned OFF)

Table 6a: the values of Gain Factor  $\beta$  and theoretical power change

	(a) DPDCH+DPCCH	(b) DPCCH
DPDCH Gain	1	0
DPCCH Gain	0.5	0.5
Theoretical power change	-7 dB	

#### (b) DTX template when DPDCH is turned ON

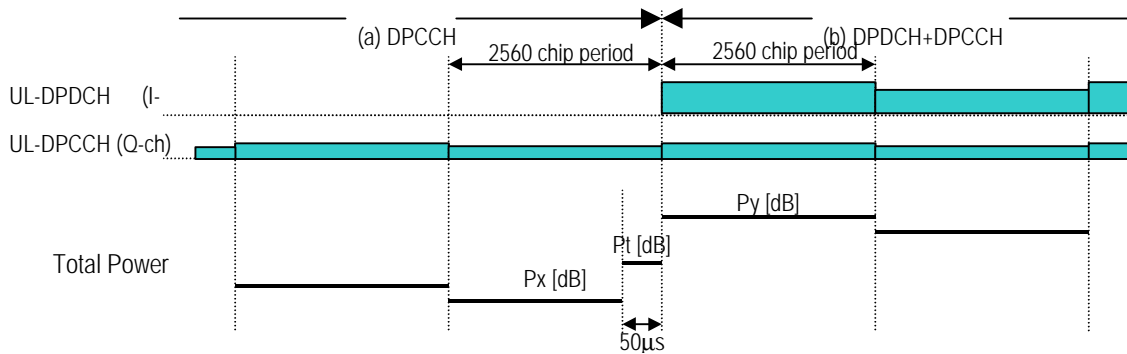


Figure 2b; Uplink Transmit DTX (DPDCH is turned ON)

Table 6b: the values of Gain Factor  $\beta$  and theoretical power change

	(a) DPCCH	(b) DPDCH+DPCCH
DPDCH Gain	0	1
DPCCH Gain	0.5	0.5
Theoretical power change	7 dB	



## 6.6 Output RF spectrum emissions

### 6.6.1 Occupied bandwidth

Occupied bandwidth is a measure of the bandwidth containing 99% of the total integrated power of the transmitted spectrum, centered on the assigned channel frequency. The occupied channel bandwidth shall be less than 5 MHz based on a chip rate of 3.84 Mcps.

### 6.6.2 Out of band emission

Out of band emissions are unwanted emissions immediately outside the nominal channel resulting from the modulation process and non-linearity in the transmitter but excluding spurious emissions. This out of band emission limit is specified in terms of a spectrum emission mask and Adjacent Channel Leakage power Ratio.

#### 6.6.2.1 Spectrum emission mask

The spectrum emission mask of the UE applies to frequencies, which are between 2.5 MHz and 12.5 MHz away from the UE center carrier frequency. The out of channel emission is specified relative to the UE output power measured in a 3.84 MHz bandwidth.

##### 6.6.2.1.1 Minimum requirement

The power of any UE emission shall not exceed the levels specified in Table 7

**Table 7: Spectrum Emission Mask Requirement**

Frequency offset from carrier $f$	Minimum requirement	Measurement bandwidth
2.5 - 3.5 MHz	-35 -15*( $\Delta f - 2.5$ ) dBc	30 kHz *
3.5 - 7.5 MHz	-35- 1*( $\Delta f-3.5$ ) dBc	1 MHz *
7.5 - 8.5 MHz	-39 - 10*( $\Delta f - 7.5$ ) dBc	1 MHz *
8.5 - 12.5 MHz	-49 dBc	1 MHz *

Note \*

1. The first and last measurement position with a 30 kHz filter is 2.515 MHz and 3.485 MHz
2. The first and last measurement position with a 1 MHz filter is 4 MHz and 12 MHz
3. The lower limit shall be -50 dBm/3.84 MHz or which ever is higher

#### 6.6.2.2 Adjacent Channel Leakage power Ratio (ACLR)

Adjacent Channel Leakage power Ratio (ACLR) is the ratio of the transmitted power to the power measured after a receiver filter in the adjacent channel(s). Both the transmitted power and the received power are measured with a filter that has a Root-Raised Cosine (RRC) filter response with roll-off  $\alpha = 0.22$  and a bandwidth equal to the chip rate.

##### 6.6.2.2.1 Minimum requirement

The ACLR shall be better than the value specified in Table 8

**Table 8:UE ACLR**

Power Class	UE channel	ACLR limit
4	+ 5 MHz or – 5 MHz	33 dB or –50 dBm which ever is higher
4	+ 10 MHz or –10 MHz	43 dB or –50 dBm which ever is higher

Note

1. The ACLR due to switching transients shall not exceed the limits in Table 8.
2. The ACLR requirements reflect what can be achieved with present state of the art technology.
3. Requirement on the UE shall be reconsidered when the state of the art technology progresses.

### 6.6.3 Spurious emissions

Spurious emissions are emissions which are caused by unwanted transmitter effects such as harmonics emission, parasitic emission, intermodulation products and frequency conversion products, but exclude out of band emissions.

The frequency boundary and the detailed transitions of the limits between the requirement for out band emissions and spectrum emissions are based on ITU-R Recommendations SM.329.

#### 6.6.3.1 Minimum requirement

These requirements are only applicable for frequencies, which are greater than 12.5 MHz away from the UE center carrier frequency

**Table 9a: General spurious emissions requirements**

Frequency Bandwidth	Resolution Bandwidth	Minimum requirement
$9 \text{ kHz} \leq f < 150 \text{ kHz}$	1 kHz	-36 dBm
$150 \text{ kHz} \leq f < 30 \text{ MHz}$	10 kHz	-36 dBm
$30 \text{ MHz} \leq f < 1000 \text{ MHz}$	100 kHz	-36 dBm
$1 \text{ GHz} \leq f < 12.75 \text{ GHz}$	1 MHz	-30 dBm

**Table 9b: Additional spurious emissions requirements**

Frequency Bandwidth	Resolution Bandwidth	Minimum requirement
$1893.5 \text{ MHz} < f < 1919.6 \text{ MHz}$	300 kHz	-41 dBm
$925 \text{ MHz} \leq f \leq 935 \text{ MHz}$	100 kHz	-67 dBm *
$935 \text{ MHz} < f \leq 960 \text{ MHz}$	100 kHz	-79 dBm *
$1805 \text{ MHz} \leq f \leq 1880 \text{ MHz}$	100 kHz	-71 dBm *

Note

\* The measurements are made on frequencies which are integer multiples of 200 kHz. As exceptions, up to five measurements with a level up to the applicable requirements defined in Table 9a are permitted for each UARFCN used in the measurement.

## 6.7 Transmit intermodulation

The transmit intermodulation performance is a measure of the capability of the transmitter to inhibit the generation of signals in its non linear elements caused by presence of the wanted signal and an interfering signal reaching the transmitter via the antenna.

### 6.7.1 Minimum requirement

User Equipment(s) transmitting in close vicinity of each other can produce intermodulation products, which can fall into the UE, or BS receive band as an unwanted interfering signal. The UE intermodulation attenuation is defined by the ratio of the output power of the wanted signal to the output power of the intermodulation product when an interfering CW signal is added at a level below the wanted signal. Both the wanted signal power and the IM product power are measured with a filter that has a Root-Raised Cosine (RRC) filter response with roll-off  $\alpha = 0.22$  and a bandwidth equal to the chip rate.

The requirement of transmitting intermodulation for a carrier spacing of 5 MHz is prescribed in Table 10

**Table 10: Transmit Intermodulation**

Interference Signal Frequency Offset	5MHz	10MHz
Interference CW Signal Level	-40dBc	
Intermodulation Product	-31dBc	-41dBc

## 6.8 Transmit modulation

### 6.8.1 Transmit pulse shape filter

The transmit pulse shaping filter is a root-raised cosine (RRC) with roll-off  $\alpha = 0.22$  in the frequency domain. The impulse response of the chip impulse filter  $RC_0(t)$  is

$$RC_0(t) = \frac{\sin\left(\frac{p-t}{T_c}(1-a)\right) + 4a\frac{t}{T_c}\cos\left(\frac{p-t}{T_c}(1+a)\right)}{p\frac{t}{T_c}\left(1 - \left(4a\frac{t}{T_c}\right)^2\right)}$$

Where the roll-off factor  $\alpha = 0.22$  and the chip duration is  $T_c = \frac{1}{\text{chiprate}} \approx 0.26042 \mu\text{s}$

### 6.8.2 Modulation Accuracy

The modulation accuracy is a measure of the difference between the measured waveform and the theoretical modulated waveform (the error vector). It is the square root of the ratio of the mean error vector power to the mean reference signal power expressed as a %. The measurement interval is one power control group (timeslot)

#### 6.8.2.1 Minimum requirement

The modulation accuracy shall not exceed 17.5 % at the maximum output power

### 6.8.3 Peak code domain error

The code domain error is computed by projecting the error vector power onto the code domain at the maximum spreading factor. The error vector for each power code is defined as the ratio to the mean power of the reference waveform expressed in dB. The peak code domain error is defined as the maximum value for the code domain error. The measurement interval is one power control group (timeslot)

The requirement for peak code domain error is only applicable for multi-code transmission.

#### 6.8.3.1 Minimum requirement

The peak code domain error shall not exceed [ ] dB

## 7.0 Receiver characteristics

### 7.1 General

Unless otherwise stated the receiver characteristics are specified at the antenna connector of the UE. For UE(s) with an integral antenna only, a reference antenna with a gain of 0 dBi is assumed. UE with an integral antenna may be taken into account by converting these power levels into field strength requirements, assuming a 0 dBi gain antenna. Receiver characteristics for UE(s) with multiple antennas/antenna connectors are FFS.

The UE antenna performance has a significant impact on system performance, and minimum requirements on the antenna efficiency are therefore intended to be included in future versions of this specification. It is recognized that different requirements and test methods are likely to be required for the different types of UE.

All the parameters in Section 7 are defined using the DL reference measurement channel (12.2 Kbps) specified in Annex A.3.1

### 7.2 Diversity characteristics

A suitable receiver structure using coherent reception in both channel impulse response estimation and code tracking procedures is assumed. Three forms of diversity are considered to be available in UTRA/FDD:

**Table 11: Diversity characteristics for UTRA/FDD**

Time diversity	Channel coding and interleaving in both up link and down link
Multi-path diversity	Rake receiver or other suitable receiver structure with maximum combining. Additional processing elements can increase the delay-spread performance due to increased capture of signal energy.
Antenna diversity	Antenna diversity with maximum ratio combining in the base station and optionally in the mobile stations. Possibility for downlink transmit diversity in the base station.

### 7.3 Reference sensitivity level

The reference sensitivity is the minimum receiver input power measured at the antenna port at which the Bit Error Rate (BER) does not exceed a specific value

#### 7.3.1 Minimum requirement

The BER shall not exceed 0.001 for the parameters specified in Table 12

**Table 12: Test parameters for reference sensitivity**

Parameter	Unit	Level
$\frac{PCCPCH\_Ec}{I_{or}}$	dB	-1
$\frac{DPCH\_Ec}{I_{or}}$	dB	-7
$\hat{I}_{or}$	dBm/3.84 MHz	-110

## 7.4 Maximum input level

This is defined as the maximum receiver input power at the UE antenna port, which does not degrade the specified BER performance.

### 7.4.1 Minimum requirement

The BER shall not exceed 0.001 for the parameters specified in Table 13

**Table 13: Maximum input level**

Parameter	Unit	Level
$\frac{PCCPCH\_Ec}{I_{or}}$	dB	-10
$\frac{DPCH\_Ec}{I_{or}}$	dB	-19
$\frac{OCNS\_Ec}{I_{or}}$	dB	-0.52
$\hat{I}_{or}$	dBm/3.84 MHz	-25

Note

1. Since the spreading factor is large ( $10\log(SF)=21\text{dB}$ ), the majority of the total input signal consists of the OCNS interference.

## 7.5 Adjacent Channel Selectivity (ACS)

Adjacent Channel Selectivity (ACS) is a measure of a receiver's ability to receive a W-CDMA signal at its assigned channel frequency in the presence of an adjacent channel signal at a given frequency offset from the center frequency of the assigned channel. ACS is the ratio of the receive filter attenuation on the assigned channel frequency to the receive filter attenuation on the adjacent channel(s).

### 7.5.1 Minimum requirement

The ACS shall be better than the value indicated in Table 14a for the test parameters specified in Table 14b where the BER shall not exceed 0.001

**Table 14a: Adjacent Channel Selectivity**

Power Class	Unit	ACS
4	dB	33

**Table 14b: Test parameters for Adjacent Channel Selectivity**

Parameter	Unit	Level
$\frac{PCCPCH\_Ec}{I_{or}}$	dB	-0.46
$\frac{DPCH\_Ec}{I_{or}}$	dB	-10
$\hat{I}_{or}$	dBm/3.84 MHz	-93
$I_{oac}$	dBm/3.84 MHz	-52
$F_{uw}$ (modulated)	MHz	+5 or -5

## 7.6 Blocking characteristics

The blocking characteristic is a measure of the receiver's ability to receive a wanted signal at its assigned channel frequency in the presence of an unwanted interferer on frequencies other than those of the spurious response or the adjacent channels, without this unwanted input signal causing a degradation of the performance of the receiver beyond a specified limit. The blocking performance shall apply at all frequencies except those at which a spurious response occur.

### 7.6.1 Minimum requirement

The BER shall not exceed 0.001 for the parameters specified in Table 15 and Table 16. For Table 16 up to (24) exceptions are allowed for spurious response frequencies in each assigned frequency channel when measured using a 1MHz step size

**Table 15: In-band blocking**

Parameter	Unit	Offset	Offset
$\frac{PCCPCH\_Ec}{I_{or}}$	dB	-1	-1
$\frac{DPCH\_Ec}{I_{or}}$	dB	-7	-7
$\hat{I}_{or}$	dBm/3.84 MHz	-107	-107
$I_{blocking}$ (modulated)	dBm/3.84 MHz	-56	-44
Blocking offset	MHz	$10 <  f-f_0  < 15$	$ f-f_0  \geq 15$

**Table 16: Out of band blocking**

Parameter	Unit	Band 1	Band 2	Band 3
$\frac{PCCPCH\_Ec}{I_{or}}$	dB	-1	-1	-1
$\frac{DPCH\_Ec}{I_{or}}$	dB	-7	-7	-7
$\hat{I}_{or}$	dBm/3.84 MHz	-107	-107	-107
$I_{blocking}$ (CW)	dBm	-44	-30	-15
Blocking offset	MHz	$2050 < f < 2095$ $2185 < f < 2230$	$2025 < f < 2050$ $2230 < f < 2255$	$1 < f < 2025$ $2255 < f < 12750$

Note

1. On frequency regions  $2095 < f < 2110$  MHz and  $2170 < f < 2185$  MHz, the appropriate in-band blocking or adjacent channel selectivity in section 7.5.1 shall be applied.

## 7.7 Spurious response

Spurious response is a measure of the receiver's ability to receive a wanted signal on its assigned channel frequency without exceeding a given degradation due to the presence of an unwanted CW interfering signal at any other frequency at which a response is obtained i.e. for which the blocking limit is not met.

### 7.7.1 Minimum requirement

The BER shall not exceed 0.001 for the parameters specified in Table 17

Table 17: Spurious Response

Parameter	Unit	Level
$\frac{PCCPCH\_Ec}{I_{or}}$	dB	-1
$\frac{DPCH\_Ec}{I_{or}}$	dB	-7
$\hat{I}_{or}$	dBm/3.84 MHz	-107
$I_{blocking}$ (CW)	dBm	-44
fcw	MHz	Spurious response frequencies

## 7.8 Intermodulation characteristics

Third and higher order mixing of the two interfering RF signals can produce an interfering signal in the band of the desired channel. Intermodulation response rejection is a measure of the capability of the receiver to receive a wanted signal on its assigned channel frequency in the presence of two or more interfering signals which have a specific frequency relationship to the wanted signal.

### 7.8.1 Minimum requirement

The BER shall not exceed 0.001 for the parameters specified in Table 18.

Table 18: Receive intermodulation characteristics

Parameter	Unit	Level
$\frac{PCCPCH\_Ec}{I_{or}}$	dB	-1
$\frac{DPCH\_Ec}{I_{or}}$	dB	-7
$\hat{I}_{or}$	dBm/3.84 MHz	-107
$I_{ouw1}$	dBm	-46
$I_{ouw2}$	dBm/3.84 MHz	-46
Fuw1 (CW)	MHz	10
Fuw2 (Modulated)	MHz	20

## 7.9 Spurious emissions

The spurious emissions power is the power of emissions generated or amplified in a receiver that appear at the UE antenna connector.

### 7.9.1 Minimum requirement

The spurious emission shall be:

- Less than  $-60$  dBm/3.84 MHz at the UE antenna connector, for frequencies within the UE receive band.
- Less than  $-57$  dBm/100 kHz at the UE antenna connector, for frequencies band from 9 kHz to 1 GHz.
- Less than  $-47$  dBm/100 kHz at the UE antenna connector, for frequencies band from 1 GHz to 12.75 GHz.



## 8 Performance requirement

### 8.1 General

The performance requirements for the UE in this section are specified for the measurement channels specified in Annex A, the propagation conditions specified in Annex B and the Down link Physical channels specified in Annex C.

**Table x1: Summary of UE performance targets**

Test Chs.	Information Data Rate	Static	Multi-path	Multi-path	Multi-path	Moving	Birth / Death
			Case 1	Case 2	Case 3		
Performance metric							
PCH	128 kbps	MER<10 <sup>-2</sup>	-	-	-	-	-
FACH	128 kbps	MER<10 <sup>-2</sup>	-	-	-	-	-
DCH	12.2 kbps	BLER<10 <sup>-2</sup>	BLER<10 <sup>-2</sup>	BLER<10 <sup>-2</sup>	BLER<10 <sup>-2</sup>	BLER<	BLER<
	64 kbps	BLER< 10 <sup>-1</sup> ,10 <sup>-2</sup>	BLER< 10 <sup>-1</sup> , 10 <sup>-2</sup>	BLER< 10 <sup>-1</sup> ,10 <sup>-2</sup>	BLER< 10 <sup>-1</sup> , 10 <sup>-2</sup> ,10 <sup>-3</sup>	BLER<	BLER<
	144 kbps	BLER< 10 <sup>-1</sup> ,10 <sup>-2</sup>	BLER< 10 <sup>-1</sup> ,10 <sup>-2</sup>	BLER< 10 <sup>-1</sup> ,10 <sup>-2</sup>	BLER< 10 <sup>-1</sup> , 10 <sup>-2</sup> ,10 <sup>-3</sup>	-	-
	384 kbps	BLER< 10 <sup>-1</sup> ,10 <sup>-2</sup>	BLER< 10 <sup>-1</sup> ,10 <sup>-2</sup>	BLER< 10 <sup>-1</sup> ,10 <sup>-2</sup>	BLER< 10 <sup>-1</sup> , 10 <sup>-2</sup> ,10 <sup>-3</sup>	-	-

### 8.2 Demodulation in static propagation conditions

#### 8.2.1 Demodulation of Paging Channel (PCH)

The receive characteristics of the paging channel in the static environment is determined by the Paging Message Error Rate (MER). MER is measured at the data rate specified for the paging channel. The UE sleep mode has an upper limit after which it must up wake up and demodulate the paging channel and associated paging messages.

##### 8.2.1.1 Minimum requirement

For the parameters specified in Table 19 the MER shall not exceed the piece-wise linear MER curve specified by the points in Table 20

**Table 19 PCH parameters in static propagation conditions**

<b>Parameter</b>	<b>Unit</b>	<b>Value</b>
$\frac{DPCH\_E_c}{I_{or}}$	dB	
$\frac{SCCPCH\_E_c}{I_{or}}$	dB	
$\hat{I}_{or}/I_{oc}$	dB	-1
$I_{oc}$	dBm/3.84 MHz	-60
Paging Data Rate		
$PCH E_b/N_t$	dB	

**Table 20: PCH requirement in static propagation conditions**

$PCH E_b/N_t$	<b>MER</b>
TBD	TBD
TBD	TBD
TBD	TBD

## 8.2.2 Demodulation of Forward Access Channel (FACH)

The receive characteristics of the Forward Access Channel (FACH) in the static environment are determined by the average message error rate (MER). MER is measured at the data rate specified for the FACH.

### 8.2.2.1 Minimum requirement

For the parameters specified in Table 21 the MER shall not exceed the piece-wise linear MER curve specified by the points in table 22

**Table 21: FACH parameters in static propagation conditions**

Parameter	Unit	Value
$\frac{DPCH\_E_c}{I_{or}}$	dB	
$\frac{SCCPCH\_E_c}{I_{or}}$	dB	
$\hat{I}_{or}/I_{oc}$	dB	-1
$I_{oc}$	dBm/3.84 MHz	-60
Control Data Rate	?	
$FACH E_b/N_t$	dB	

**Table 22: FACH requirements in static propagation conditions**

$FACH E_b/N_t$	MER
TBD	TBD
TBD	TBD
TBD	TBD

## 8.2.3 Demodulation of Dedicated Channel (DCH)

The receive characteristic of the Dedicated Channel (DCH) in the static environment is determined by the Block Error Rate (BLER). BLER is specified for each individual data rate of the DCH. DCH is mapped into the Dedicated Physical Channel (DPCH).

### 8.2.3.1 Minimum requirement

For the parameters specified in Table 23 the BLER shall not exceed the piece-wise linear BLER curve specified by the points in table 24

**Table 23: DCH parameters in static propagation conditions**

Parameter	Unit	Test 1	Test 2	Test 3	Test 4	Test 5
$\hat{I}_{or}/I_{oc}$	dB	-1				
$I_{oc}$	dBm/3.84 MHz	-60				
Information Data Rate	kbps	12.2	12.2	64	144	384
TFCI	-	off	on	on	on	on

**Table 24: DCH requirements in static propagation conditions**

Test Number	$\frac{DPCH - E_c}{I_{or}}$	BLER
1		$10^{-2}$
2	-16.6 dB	$10^{-2}$
3	-13.1 dB	$10^{-1}$
	-12.8 dB	$10^{-2}$
4		$10^{-1}$
		$10^{-2}$
5		$10^{-1}$
		$10^{-2}$

## 8.3 Demodulation of DCH in multi-path fading propagation conditions

### 8.3.1 Single Link Performance

The receive characteristics of the Dedicated Channel (DCH) in different multi-path fading environments are determined by the Block Error Rate (BLER) values. BLER is measured for the each of the individual data rate specified for the DPCH. DCH is mapped into in Dedicated Physical Channel (DPCH).

#### 8.3.1.1 Minimum requirement

For the parameters specified in Table 25, 27 and 29 the BLER shall not exceed the associated piece-wise linear BLER curves specified by the points in Table 26, 28 and 30

**Table 25: Test Parameters for DCH in multi-path fading propagation conditions (Case 1)**

Parameter	Unit	Test 1	Test 2	Test 3	Test 4	Test 5
$\hat{I}_{or}/I_{oc}$	dB	9				
$I_{oc}$	dBm/3.84 MHz	-60				
Information Data Rate	kbps	12.2	12.2	64	144	384
TFCI	-	off	on	on	on	on

**Table 26: Test requirements for DCH in multi-path fading propagation conditions (Case 1)**

Test Number	$\frac{DPCH - E_c}{I_{or}}$	BLER
1		$10^{-2}$
2		$10^{-2}$
3		$10^{-1}$
		$10^{-2}$
4		$10^{-1}$
		$10^{-2}$
5		$10^{-1}$
		$10^{-2}$

**Table 27: DCH parameters in multi-path fading propagation conditions (Case 2)**

Parameter	Unit	Test 6	Test 7	Test 8	Test 9	Test 10
$\hat{I}_{or}/I_{oc}$	dB	-3	-3	-3	3	6
$I_{oc}$	dBm/3.84 MHz	-60				
Information Data Rate	kbps	12.2	12.2	64	144	384
TFCI	-	off	on	on	on	on

Table 28: DCH requirements in multi-path fading propagation (Case 2)

Test Number	$\frac{DPCH - E_c}{I_{or}}$	BLER
6		$10^{-2}$
7		$10^{-2}$
8		$10^{-1}$
		$10^{-2}$
9		$10^{-1}$
		$10^{-2}$
10		$10^{-1}$
		$10^{-2}$

Table 29: DCH parameters in multi-path fading propagation conditions (Case 3)

Parameter	Unit	Test 11	Test 12	Test 13	Test 14	Test 15
$\hat{I}_{or}/I_{oc}$	dB	-3	-3	-3	3	6
$I_{oc}$	dBm/3.84 MHz	-60				
Information Data Rate	kbps	12.2	12.2	64	144	384
TFCI	-	off	on	on	on	on

Table 30: DCH requirements in multi-path fading propagation conditions (Case 3)

<b>Test Number</b>	$\frac{DPCH\_E_c}{I_{or}}$	<b>BLER</b>
11		$10^{-2}$
12		$10^{-2}$
13		$10^{-1}$
		$10^{-2}$
		$10^{-3}$
14		$10^{-1}$
		$10^{-2}$
		$10^{-3}$
15		$10^{-1}$
		$10^{-2}$
		$10^{-3}$

## 8.4 Demodulation of DCH in moving propagation conditions

### 8.4.1 Single link performance

The receive single link performance of the Dedicated Traffic Channel (DCH) in dynamic moving propagation conditions are determined by the Block Error Rate (BLER) values. BLER is measured for the each of the individual data rate specified for the DPCH. DCH is mapped into Dedicated Physical Channel (DPCH).

#### 8.4.1.1 Minimum requirement

For the parameters specified in Table 31 the BLER shall not exceed the piece-wise linear BLER curve specified in points in Table 32

**Table 31: DCH parameters in moving propagation conditions**

Parameter	Unit	Test 1	Test 2	Test 3
$\hat{I}_{or}/I_{oc}$	dB	-1		
$I_{oc}$	dBm/3.84 MHz	-60		
Information Data Rate	kbps	12.2	12.2	64
TFCI	-	off	on	on

**Table 32: DCH requirements in moving propagation conditions**

Test Number	$\frac{DPCH\_E_c}{I_{or}}$	BLER
1		
2		
3		



## 8.5 Demodulation of DCH in birth-death propagation conditions

### 8.5.1 Single link performance

The receive single link performance of the Dedicated Traffic Channel (DCH) in dynamic birth-death propagation conditions are determined by the Block Error Rate (BLER) values. BER is measured for the each of the individual data rate specified for the DPCH. DCH is mapped into Dedicated Physical Channel (DPCH).

#### 8.5.1.1 Minimum requirement

For the parameters specified in Table 33, the BLER shall not exceed the piece-wise linear BLER curve in the points in Table 34

**Table 33: DCH parameters in birth-death propagation conditions**

Parameter	Unit	Test 1	Test 2	Test 3
$\hat{I}_{or}/I_{oc}$	dB	-1		
$I_{oc}$	dBm/3.84 MHz	-60		
Information Data Rate	kbps	12.2	12.2	64
TFCI	-	off	on	on

**Table 34: DCH requirements in birth-death propagation conditions**

Test Number	$\frac{DPCH\_E_c}{I_{or}}$	BLER
1		
2		
3		

## 8.6 Demodulation of DCH in Base Station Transmit diversity modes

### 8.6.1 Demodulation of DCH in open-loop transmit diversity mode

The receive characteristic of the Dedicated Channel (DCH) in open loop transmit diversity mode is determined by the Block Error Rate (BLER). DCH is mapped into in Dedicated Physical Channel (DPCH)

#### 8.6.1.1 Minimum requirement

For the parameters specified in Table 35 the BLER shall not exceed the associated piece-wise linear BLER curve specified by the points in Table 36

**Table 35: Test parameters for DCH reception in an open loop transmit diversity scheme. (Propagation condition: Case 1)**

Parameter	Unit	Test 1
$\frac{DPCH\_E_c}{I_{or}}$ (Antenna 1)	dB	[ ]
$\frac{DPCH\_E_c}{I_{or}}$ (Antenna 2)	dB	[ ]
$\hat{I}_{or}/I_{oc}$	dB	[ ]
$I_{oc}$	dBm/3.84 MHz	-60
Information data rate	kbps	12.2
$DCH\ E_b/N_t$	dB	[ ]

**Table 36: Test requirements for DCH reception in open loop transmit diversity scheme.**

Test Number	$DCH\ E_b/N_t$	BLER
1		

## 8.6.2 Demodulation of DCH in feedback transmit diversity mode

The receive characteristic of the dedicated channel (DCH) in feedback transmit diversity mode is determined by the Block Error Rate (BLER). DCH is mapped into in Dedicated Physical Channel (DPCH).

### 8.6.2.1 Minimum requirement

For the parameters specified in Table 37 the BLER shall not exceed the associated piece-wise linear BLER curves specified by the points in Table 38.

**Table 37: Test Parameters for DCH Reception in feedback transmit diversity mode  
(Propagation condition: Case 1)**

Parameter	Unit	Test 1 (Mode 1)	Test 2 (Mode 2)
$\frac{PCCPCH\_E_c}{I_{or}}$ (Antenna 1)	dB	-10	-10
$\frac{PCCPCH\_E_c}{I_{or}}$ (Antenna 2)	dB	-10	-10
$\frac{DPCH\_E_c}{I_{or}}$ <sup>(1)</sup>	dB	[ ]	[ ]
$\hat{I}_{or}/I_{oc}$	dB	[ ]	[ ]
$I_{oc}$	dBm/3.84 MHz	-60	-60
Information data rate	kbps	12.2	12.2
$DCH\ E_b/N_t$	dB	[ ]	[ ]

**Table 38: Test requirements for DCH reception in feedback transmit diversity mode.**

Test Number	$DCH\ E_b/N_t$	BLER
1		
2		

<sup>1</sup> This is the total power from both antennas. Power sharing between antennas are feedback mode dependent as specified in TS25.214

### 8.6.3 Demodulation of DCH in Site Selection Diversity Transmission mode

<Editor's note: This section may be moved to TS25.103.>

The bit error characteristics of UE receiver is determined in Site Selection Diversity Transmission (SSDT) mode. Two BS emulators are required for this performance test. The delay profiles of signals received from different base stations are assumed to be the same but time shifted by 10 chip periods (2604 ns).

#### 8.6.3.1 Minimum Requirements

For the parameters specified in Table 39, the BLER shall not exceed the piece-wise linear BLER curve specified by the points in Table 41

**Table 39: DCH parameters in multi-path propagation conditions during SSDT mode (Propagation condition: Case 1)**

Parameter	Unit	Test 1	Test 2	Test 3	Test 4
$\frac{CPICH\_E_c}{I_{or}}$ (for Cell 1)	dB	-10	-10	-10+delta	-10+delta
$\frac{CPICH\_E_c}{I_{or}}$ (for Cell 2)	dB	-10+delta	-10+delta	-10	-10
$\frac{DPCH\_E_c}{I_{or}}$ (Cell 1)*	dB				
$\frac{DPCH\_E_c}{I_{or}}$ (Cell 2)*	dB				
$\hat{I}_{or1}/I_{oc}$ and $\hat{I}_{or2}/I_{oc}$	dB				
$I_{oc}$	dBm/3.84 MHz				
Information Data Rate	kbps	12.2	12.2	12.2	12.2
$DCH\ E_b/N_t$	dB				

\*Note: DPCH\_Ec/Ior value applies whenever DPDCH in the cell is transmitted.

Where the 4 test modes are defined as follows:

**Table 40: Test mode parameter**

Test Mode	delta (dB)	Number of FBI bits assigned to "S" Field	Cell ID Code word Set
Test 1	0	1	long
Test 2	3	1	long
Test 3	0	2	short
Test 4	3	2	short

**Table 41: DCH requirements in multi-path propagation conditions during SSDT Mode**

<b>Test Number</b>	<b><i>DCH</i> <math>E_b/N_t</math></b>	<b>BLER</b>
1		
2		
3		
4		

## 8.7 Demodulation in Handover conditions

### 8.7.1 Inter-Cell Soft Handover Performance

The bit error rate characteristics of UE is determined during an inter-cell soft handover. During the soft handover a UE receives signals from different Base Stations. A UE has to be able to demodulate two PCCPCH channels and to combine the energy of DCH channels. Delay profiles of signals received from different Base Stations are assumed to be the same but time shifted by 2440 ns (10 chips).

The receive characteristics of the different channels during inter-cell handover are determined by the average Block Error Rate (BLER) values.

#### 8.7.1.1 Minimum requirement

For the parameters specified in Table 42, the BLER shall not exceed the piece-wise linear BLER curve specified by the points in Table 43

**Table 42: DCH parameters in multi-path propagation conditions during Soft Handoff (Case 3)**

Parameter	Unit	Test 1	Test 2	Test 3	Test 4	Test 5
$\frac{DPCH - E_c}{I_{or}}$	dB					
$\hat{I}_{or1}/I_{oc}$ and $\hat{I}_{or2}/I_{oc}$	dB					
$I_{oc}$	dBm/3.84 MHz					
Information data Rate	kbps	12.2	12.2	64	144	384
TFCI	-	off	on	on	on	on
$DCH E_b/N_t$	dB					

**Table 43: DCH requirements in multi-path propagation conditions during Soft Handoff (Case 3)**

<b>Test Number</b>	<b><i>DCH</i> <math>E_b/N_t</math></b>	<b>BLER</b>
1		
2		
3		
4		
5		

## 8.8 Inner loop power control in downlink

Performance of the inner loop power control in downlink is determined by the Block Error Rate (BLER) values and by the measured average transmitted DPCH\_Ec/I<sub>or</sub> value.

### 8.8.1 Inner loop power control in the downlink

#### 8.8.1.1 Minimum requirements

For the parameters specified in Table 44, the BLER and DPCH\_Ecd/I<sub>or</sub> value shall not exceed the values specified in Table 45.

Note

1. Power control is ON during the test.
2. Power control step size is 1 dB.

**Table 44: Test parameters for downlink inner loop power control**

Parameter	Unit	Test 1	Test 2
$\hat{I}_{or}/I_{oc}$	dB	9	-1
$I_{oc}$	dBm/3.84 MHz	-60	-60
Information Data Rate	kbps	12.2	12.2
TFCI	-	on	on
Propagation Conditions		TBD	TBD
$DCH E_b/N_t$	dB		

**Table 45: Requirements in downlink inner loop power control**

Parameter	Unit	Test 1	Test 2
$\frac{DPCH\_Ec}{I_{or}}$	dB		
Target Quality		FFS	FFS
Confidence level	%		



## 8.9 Outer loop power control in downlink

Outer loop power control in the downlink is the ability of the UE receiver to maintain the suitable target for the inner loop closed loop PC according to the required link quality set by the network.

### 8.9.1 Outer loop power control in the downlink

#### 8.9.1.1 Minimum requirements

For the parameters specified in Table 46 the downlink  $\frac{DPCH\_E_c}{I_{or}}$  power shall be below the specified value and the reported quality value shown in table 47.

Note

1. Power control is ON during the test.
2. The averaging time T shall be long enough to minimize the previous quality target impact to the result.

**Table 46: Test parameter for downlink outer loop power control**

Parameter	Unit	Test 1	Test 2
$\hat{I}_{or}/I_{oc}$	dB	5	
$I_{oc}$	dBm/3.84 MHz	-60	
Information Data Rate	kbps	12.2	
TFCI	-	On	
Reporting delay, or averaging period, T	ms	[ ]	[ ]
Propagation condition		[TBD]	

**Table 47: Requirements in downlink outer loop power control**

Parameter	Unit	Test 1	Test 2
$\frac{DPCH\_E_c}{I_{or}}$	dB	[max. needed channel power]	[max. needed channel power]
Target quality value		FFS	FFS
Reported quality value			
Confidence level			

## Annex A (normative): Measurement channels

### A.1 General

### A.2 UL reference measurement channel

#### A.2.1 UL reference measurement channel (12.2 kbps)

The parameters for the 12.2 kbps UL reference measurement channel are specified in Table A.1 and Table A.2. The channel coding for information is shown in figure A.1

**Table A.1: UL reference measurement channel physical parameters (12.2 kbps)**

Parameter	Unit	Level
Information bit rate	kbps	12.2
DPDCH	kbps	60
DPCCH	kbps	15
DPCCH/DPDCH	dB	-6
Power control	-	Off
TFCI	-	On
Repetition	%	23

**Table A.2: UL reference measurement channel, transport channel parameters (12.2 kbps)**

Parameters	DCCH	DTCH
Transport Channel Number	1 (TBD by WG2)	2 (TBD by WG2)
Transport Block Size	96	244
Transport Block Set Size	96	244
Transmission Time Interval	40 ms	20 ms
Type of Error Protection	Convolution Coding	Convolution Coding
Coding Rate	1/3	1/3
Static Rate Matching parameter	1.0	1.0
Size of CRC	16	16
Position of TrCH in radio frame	Fixed	fixed

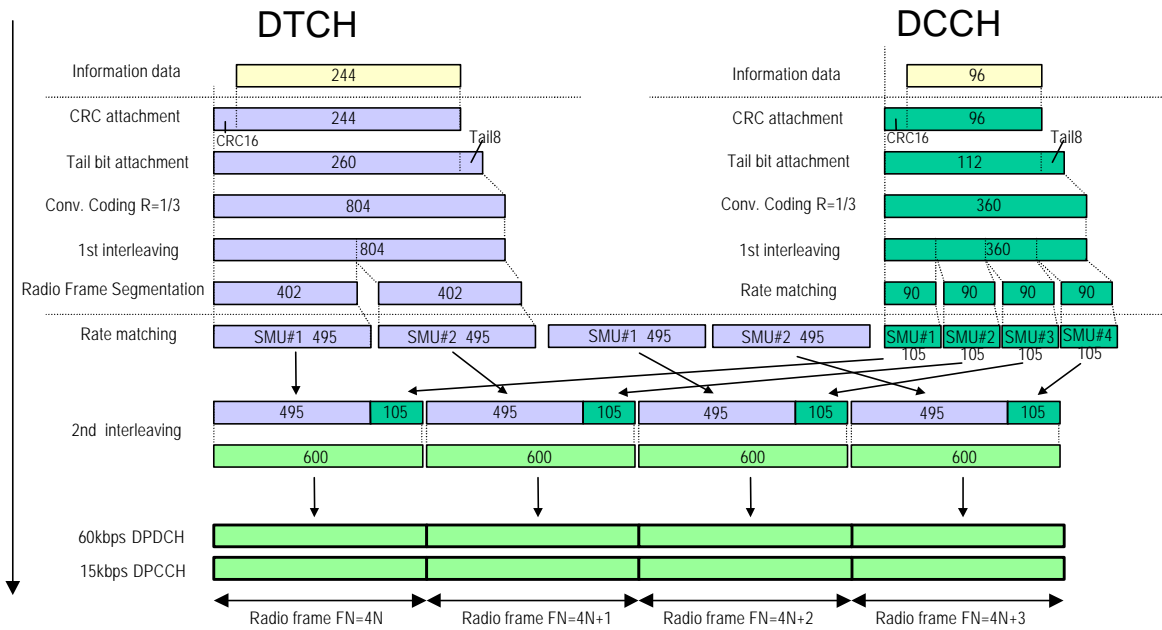


Figure A.1: Channel coding of UL reference measurement channel (12.2 kbps)

### A.2.2 UL reference measurement channel (64 kbps)

The parameters for the 64 kbps UL reference measurement channel are specified in Table A.3 and Table A.4. The channel coding for information is shown in figure A.2. This measurement channel is not currently used in TS25.101 but can be used for future requirements.

Table A.3: UL reference measurement channel (64 kbps)

Parameter	Unit	Level
Information bit rate	kbps	64
DPDCH	kbps	240
DPCCH	kbps	15
DPCCH/DPDCH	dB	-9
Power control	-	Off
TFCI	-	On
Repetition	%	18

Table A.4: UL reference measurement channel, transport channel parameters (64kbps)

Parameter	DCCH	DTCH
Transport Channel Number	1 (TBD by WG2)	2 (TBD by WG2)
Transport Block Size	96	1280
Transport Block Set Size	96	1280
Transmission Time Interval	40 ms	20 ms

Type of Error Protection	Convolution Coding	Turbo Coding
Coding Rate	1/3	1/3
Static Rate Matching parameter	1.0	1.0
Size of CRC	16	16
Position of TrCH in radio frame	Fixed	Fixed

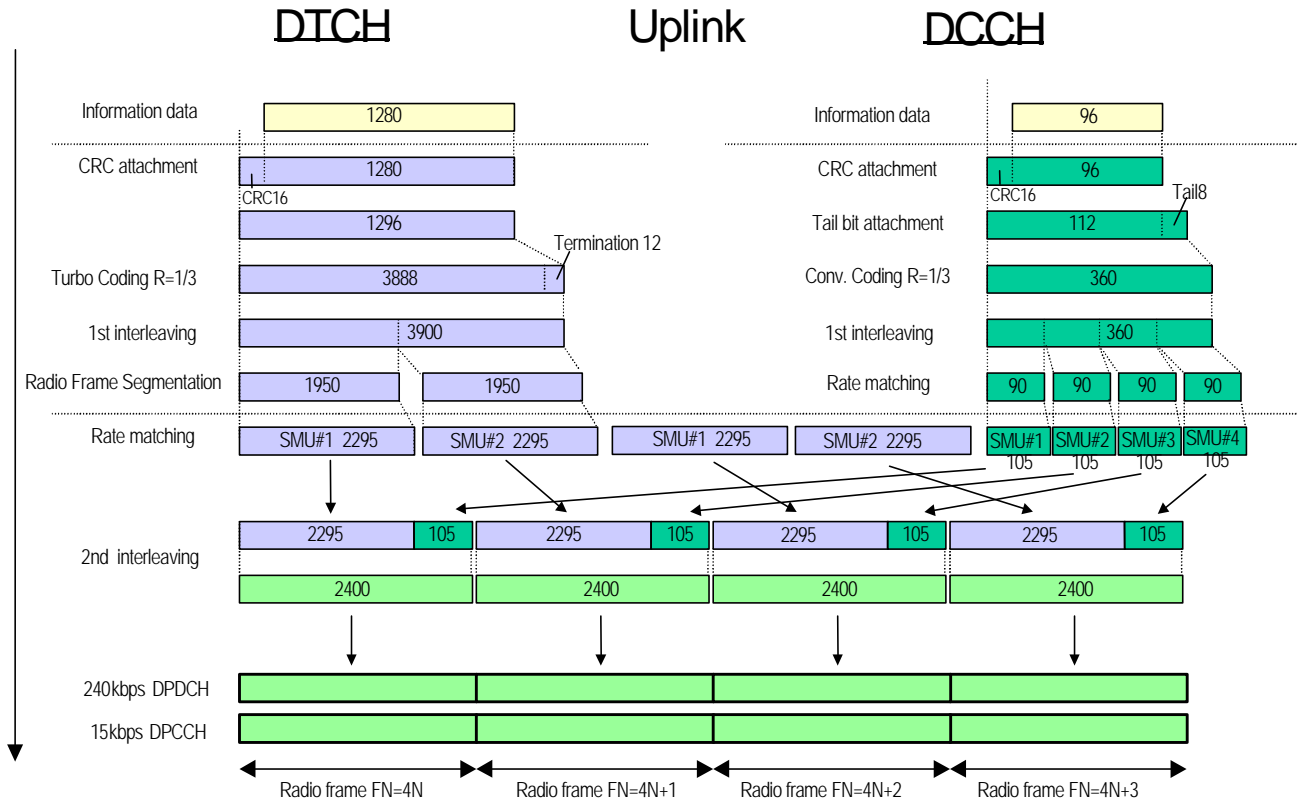


Figure A.2: Channel coding of UL reference measurement channel (64 kbps)

### A.2.3 UL reference measurement channel (144 kbps)

The parameters for the 144 kbps UL reference measurement channel are specified in Table A.5 and Table A.6. The channel coding for information is shown in Figure A.3. This measurement channel is not currently used in TS25.101 but can be used for future requirements.

**Table A.5: UL reference measurement channel (144 kbps)**

Parameter	Unit	Level
Information bit rate	kbps	144
DPDCH	kbps	480
DPCCH	kbps	15
DPCCH/DPDCH	dB	-12
Power control	-	Off
TFCI	-	On
Repetition	%	8

**Table A.6: UL reference measurement channel, transport channel parameters (144kbps)**

Parameters	DCCH	DTCH
Transport Channel Number	1 (TBD by WG2)	2 (TBD by WG2)
Transport Block Size	96	2880
Transport Block Set Size	96	2880
Transmission Time Interval	40 ms	20 ms
Type of Error Protection	Convolution Coding	Turbo Coding
Coding Rate	1/3	1/3
Static Rate Matching parameter	1.0	1.0
Size of CRC	16	16

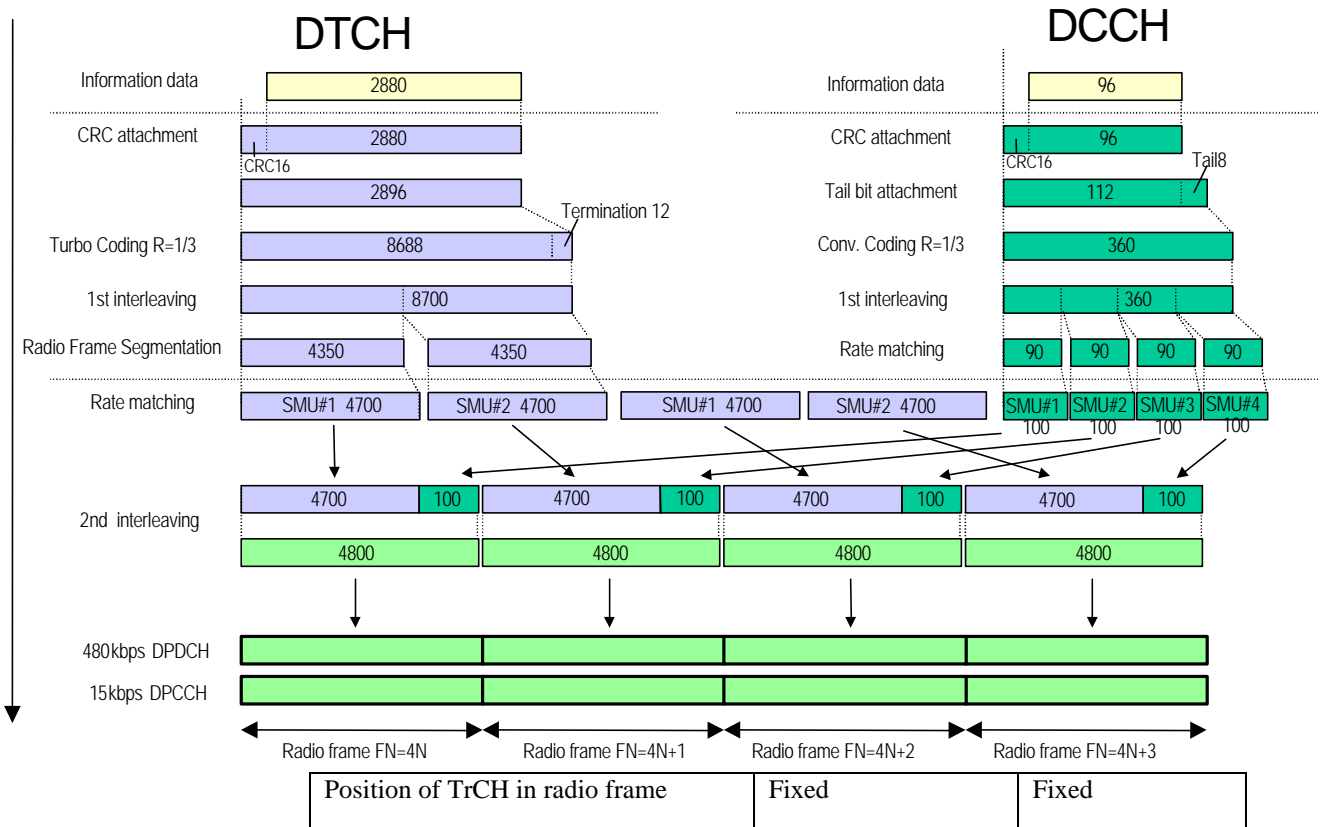


Figure A.3: Channel coding of UL reference measurement channel (144 kbps)

## A.2.4 UL reference measurement channel (384 kbps)

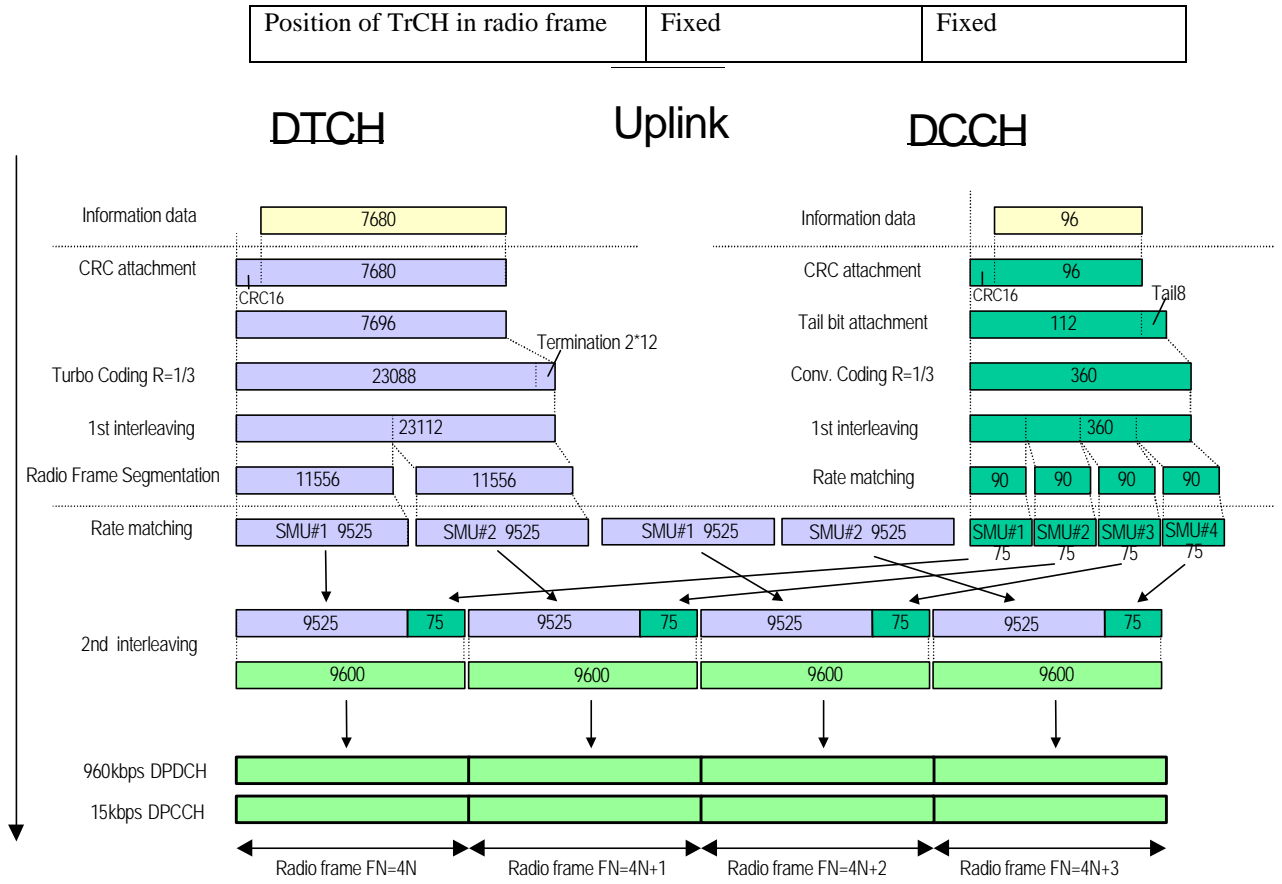
The parameters for the 384 kbps UL reference measurement channel are specified in Table A.7 and Table A.8. The channel coding for information is shown in Figure A.4. This measurement channel is not currently used in TS25.101 but can be used for future requirements.

**Table A.7: UL reference measurement channel (384 kbps)**

Parameter	Unit	Level
Information bit rate	kbps	384
DPDCH	kbps	960
DPCCH	kbps	15
DPCCH/DPDCH	dB	-12
Power control	-	Off
TFCI	-	On
Puncturing	%	18

**Table A.8: UL reference measurement channel, transport channel parameters (384 kbps)**

Parameter	DCCH	DTCH
Transport Channel Number	1 (TBD by WG2)	2 (TBD by WG2)
Transport Block Size	96	7680
Transport Block Set Size	96	7680
Transmission Time Interval	40 ms	20 ms
Type of Error Protection	Convolution Coding	Turbo Coding
Coding Rate	1/3	1/3
Static Rate Matching parameter	1.0	1.0
Size of CRC	16	16



**Figure A.4: Channel coding of UL reference measurement channel (384 kbps)**



### A.3 DL reference measurement channel

#### A.3.1 DL reference measurement channel (12.2 kbps)

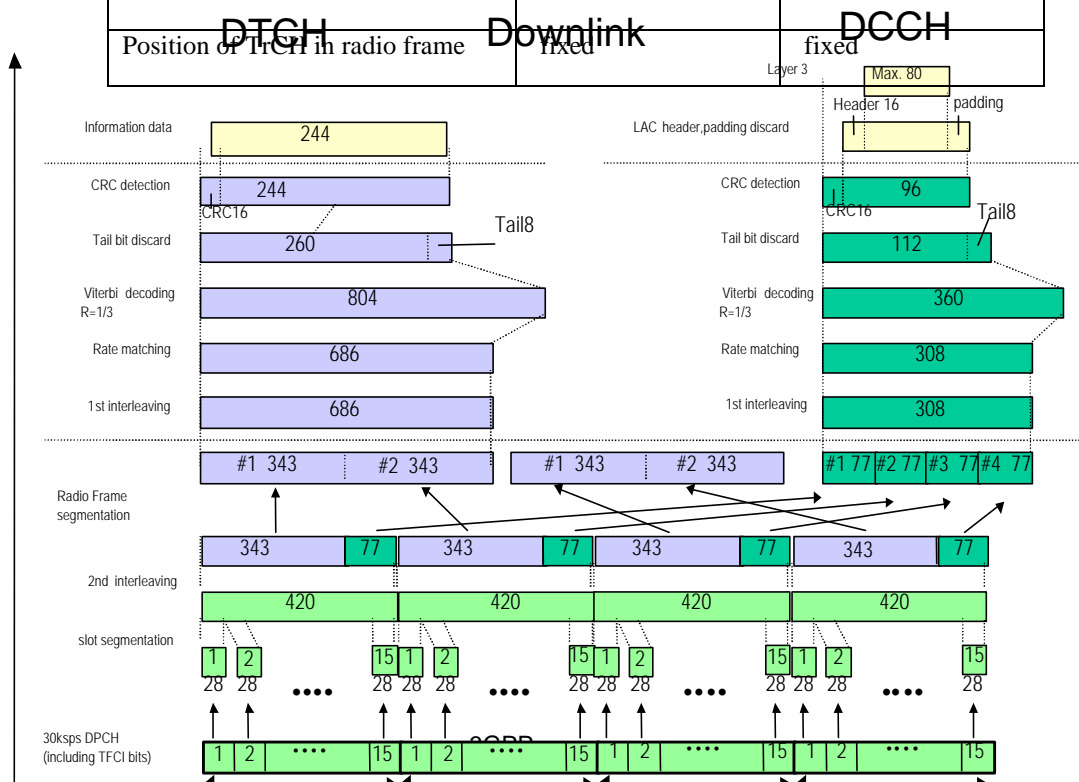
The parameters for the 12.2 Kbps DL reference measurement channel are specified in Table A. 9 and Table A.10. The channel coding is shown for information in figure A.5

**Table A.9: DL reference measurement channel physical parameters (12.2 kbps)**

Parameter	Unit	Level
Information bit rate	kbps	12.2
DPCH	ksps	30
Power control	-	Off
TFCI	-	On
Puncturing	%	14.5

**Table A.10: DL reference measurement channel, transport channel parameters (12.2 kbps)**

Parameter	DCCH	DTCH
Transport Channel Number	1 (TBD by WG2)	2 (TBD by WG2)
Transport Block Size	96	244
Transport Block Set Size	96	244
Transmission Time Interval	40 ms	20 ms
Type of Error Protection	Convolution Coding	Convolution Coding
Coding Rate	1/3	1/3
Static Rate Matching parameter	1.0	1.0
Size of CRC	16	16
Position of TCH in radio frame	fixed	fixed



**Figure A.5: Channel coding of DL reference measurement channel (12.2 kbps)**

### A.3.2 DL reference measurement channel (64 kbps)

The parameters for the DL reference measurement channel for 64 kbps are specified in Table A.11 and Table A.12. The channel coding is shown for information in Figure A.6

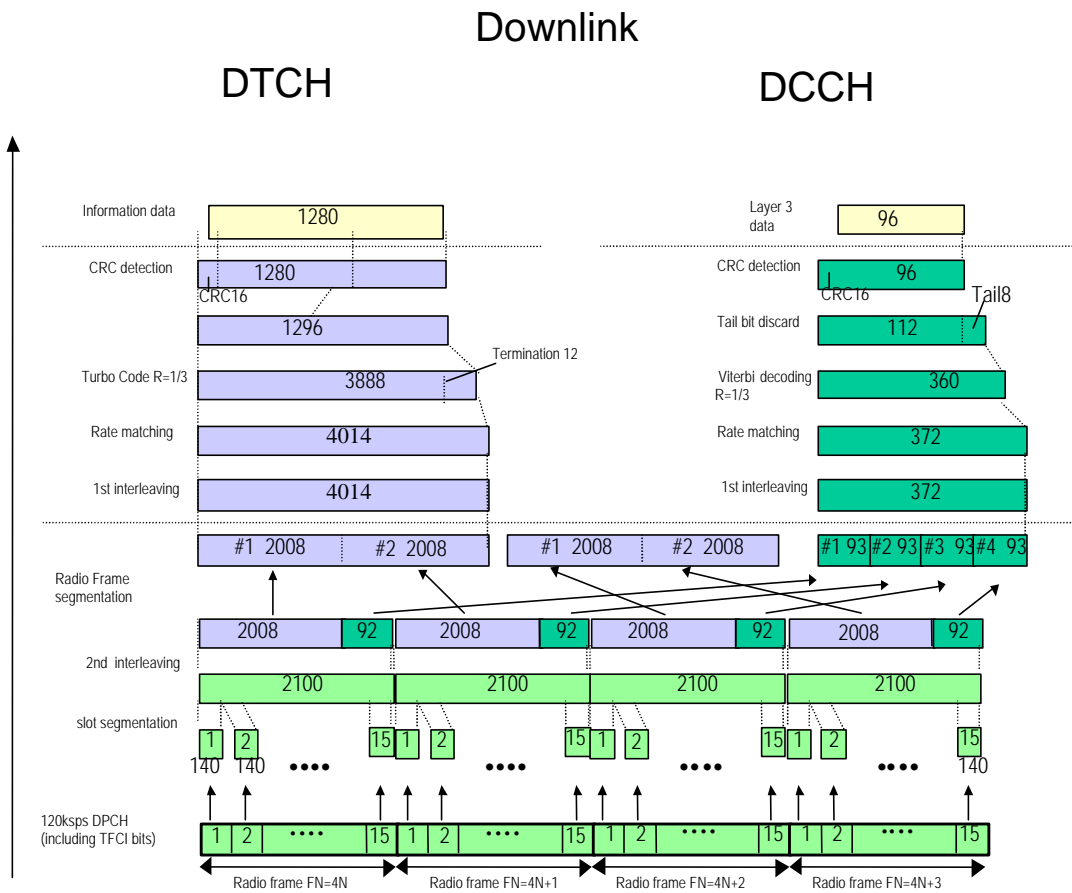
**Table A.11: DL reference measurement channel physical parameters (64 kbps)**

Parameter	Unit	Level
Information bit rate	kbps	64
DPCH	ksps	120
Power control	-	Off
TFCI	-	On
Repetition	%	2.9

**Table A.12: DL reference measurement channel, transport channel parameters (64 kbps)**

Parameter	DCCH	DTCH
Transport Channel Number	1 (TBD by WG2)	2 (TBD by WG2)
Transport Block Size	96	1280

Transport Block Set Size	96	1280
Transmission Time Interval	40 ms	20 ms
Type of Error Protection	Convolution Coding	Turbo Coding
Coding Rate	1/3	1/3
Static Rate Matching parameter	1.0	1.0
Size of CRC	16	16
Position of TrCH in radio frame	fixed	fixed



**Figure A.6: Channel coding of DL reference measurement channel (64 kbps)**

### A.3.3 DL reference measurement channel (144 kbps)

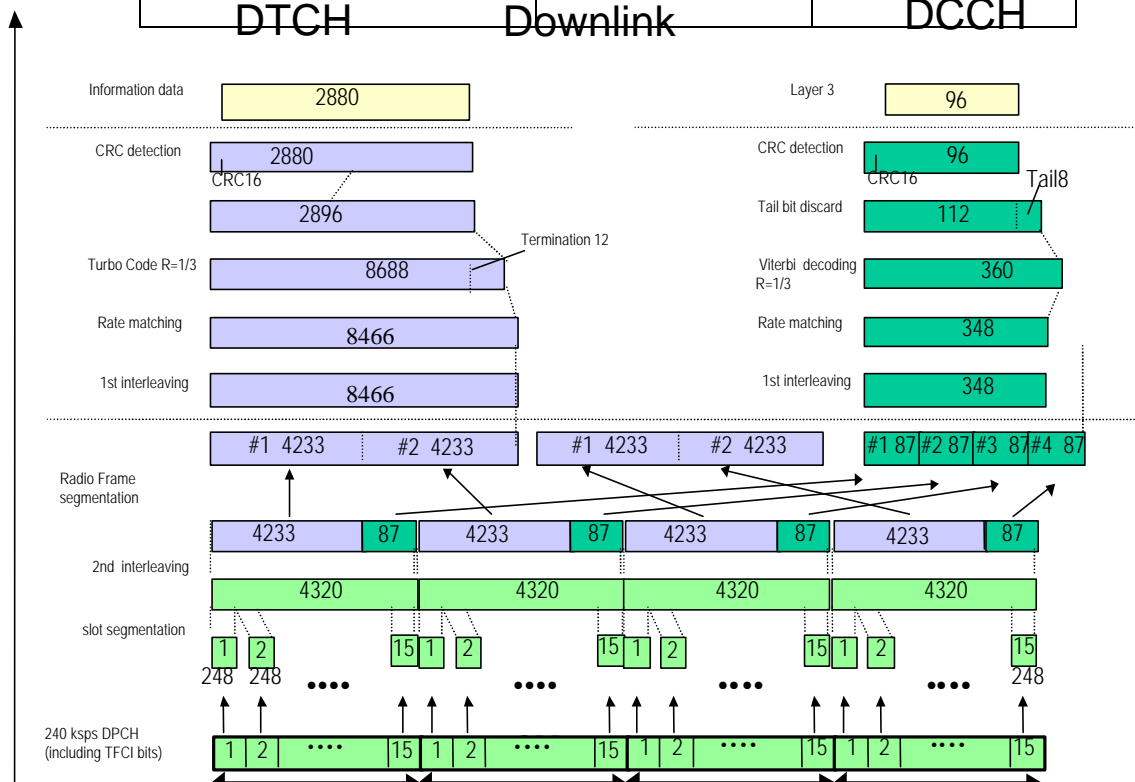
The parameters for the DL measurement channel for 144 kbps are specified in Table A.13 and Table A.14. The channel coding is shown for information in Figure A.7

**Table A.13: DL reference measurement channel physical parameters (144 kbps)**

Parameter	Unit	Level
Information bit rate	kbps	144
DPCH	ksps	240
Power control	-	Off
TFCI	-	On
Puncturing	%	2.7

**Table A.14: DL reference measurement channel, transport channel parameters (144 kbps)**

Parameter	DCCH	DTCH
Transport Channel Number	1 (TBD by WG2)	2 (TBD by WG2)
Transport Block Size	96	2880
Transport Block Set Size	96	2880
Transmission Time Interval	40 ms	20 ms
Type of Error Protection	Convolution Coding	Turbo Coding
Coding Rate	1/3	1/3
Static Rate Matching parameter	1.0	1.0
Size of CRC	16	16
Position of TrCH in radio frame	fixed	fixed



**Figure A.7: Channel coding of DL reference measurement channel (144 kbps)**

### A.3.4 DL reference measurement channel (384 kbps)

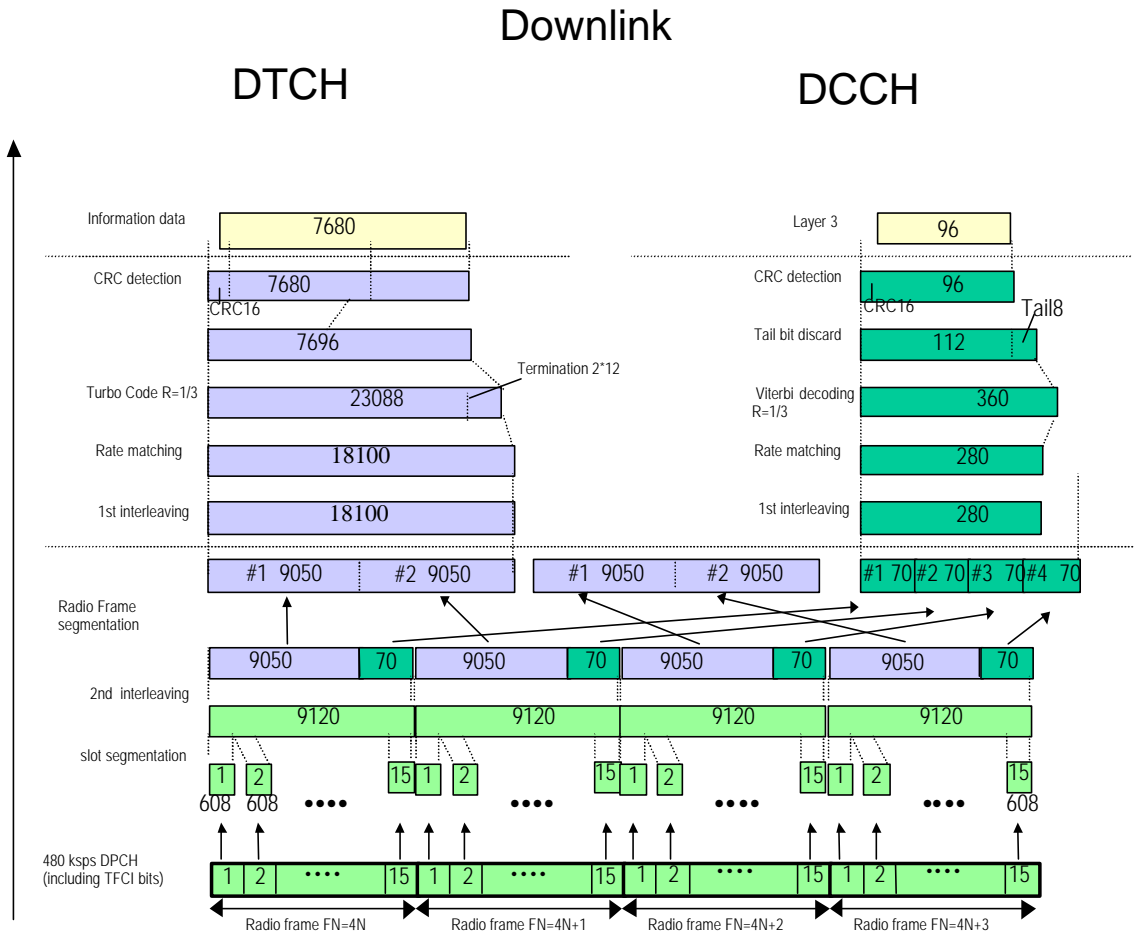
The parameters for the DL measurement channel for 384 kbps are specified in Table A.15 and Table A.16. The channel coding is shown for information in Figure A.8

**Table A.15: DL reference measurement channel, physical parameters (384 kbps)**

Parameter	Unit	Level
Information bit rate	kbps	384
DPCH	ksps	480
Power control		Off
TFCI		On
Puncturing	%	22

**Table A.16: DL reference measurement channel, transport channel parameters (384 kbps)**

Parameter	DCCH	DTCH
Transport Channel Number	1 (TBD by WG2)	2 (TBD by WG2)
Transport Block Size	96	7680
Transport Block Set Size	96	7680
Transmission Time Interval	40 ms	20 ms
Type of Error Protection	Convolution Coding	Turbo Coding
Coding Rate	1/3	1/3
Static Rate Matching parameter	1.0	1.0
Size of CRC	16	16
Position of TrCH in radio frame	fixed	fixed



**Figure A.8: Channel coding of DL reference measurement channel (384 kbps)**

## Annex B (normative): Propagation conditions

### B.1 General

### B.2 Propagation Conditions

#### B.2.1 Static propagation condition

The propagation for the static performance measurement is an Additive White Gaussian Noise (AWGN) environment. No fading and multi-paths exist for this propagation model.

#### B.2.2 Multi-path fading propagation conditions

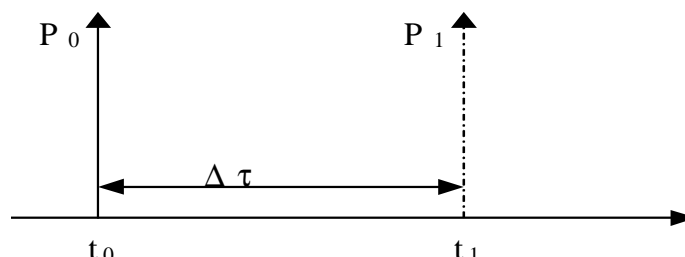
Table B2 shows propagation conditions that are used for the performance measurements in multi-path fading environment. All taps have classical Doppler spectrum.

**Table B2: Propagation Conditions for Multi path Fading Environments**

Case 1, speed 3km/h		Case 2, speed 3 km/h		Case 3, 120 km/h	
Relative Delay [ns]	Average Power [dB]	Relative Delay [ns]	Average Power [dB]	Relative Delay [ns]	Average Power [dB]
0	0	0	0	0	0
976	-10	976	0	260	-3
		20000	0	521	-6
				781	-9

#### B.2.3 Moving propagation conditions

The dynamic propagation conditions for the test of the baseband performance are non fading channel models with two taps. The moving propagation condition has two tap, one static, Path0, and one moving, Path1. The time difference between the two paths is according Equation (B.1)



**Figure B1: The moving propagation conditions**



$$\Delta t = \left( 1 + \frac{A}{2} (1 + \sin(\Delta \omega \cdot t)) \right) \text{ns}$$

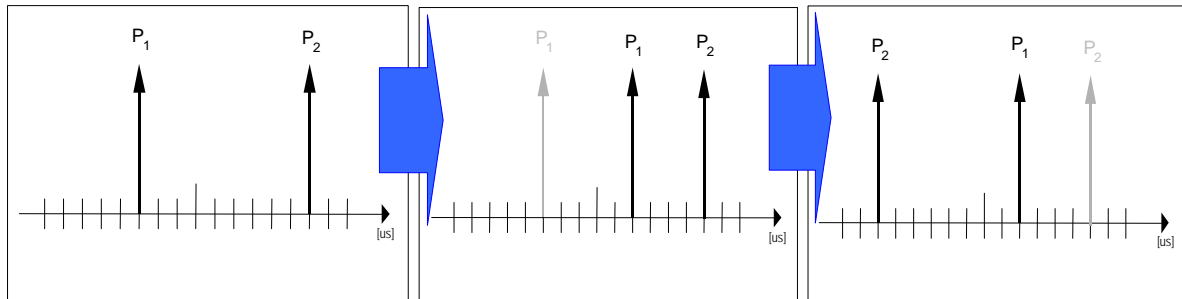
*Equation B.1*

The parameters in the equation are shown in.

<b>A</b>	5 $\mu$ s
<b><math>\Delta \omega</math></b>	40*10 <sup>-3</sup> s <sup>-1</sup>

## B.2.4 Birth-Death propagation conditions

The dynamic propagation conditions for the test of the baseband performance is a non fading propagation channel with two taps. The moving propagation condition has two taps, Path1 and Path2 which alternate between 'birth' and 'death'. The positions the paths appear are randomly selected with an equal probability rate and is shown in Figure B2.



**Figure B2: Birth death propagation sequence**

### Note

1. Two paths, Path1 and Path2 are randomly selected between  $-5\mu\text{s}$  and  $+5\mu\text{s}$ .
2. After 191 ms, Path1 vanishes and reappears immediately at a new location randomly selected between  $-5\mu\text{s}$  and  $+5\mu\text{s}$  but excludes the point Path2.
3. After an additional 191 ms, Path2 vanishes and reappears immediately at a new location randomly selected between  $-5\mu\text{s}$  and  $+5\mu\text{s}$  but excludes the point Path1.
4. The sequence in 2) and 3) is repeated.

## ANNEX C (Normative): Downlink Physical Channels

### C.1 General

This Normative annex specifies the downlink physical channels that are needed for setting a connection and channels that are needed during a connection.

### C.2 Connection Set-up

Table C.2 describes the downlink Physical Channels that are required for connection set up.

**Table C.2. Downlink Physical Channels required for connection set-up**

Physical Channel
CPICH
PCCPCH
SCH
SCCPCH
PICH
AICH
DPCH

### C.3. During connection

Table C.3 describes the downlink Physical Channels that are transmitted during a connection i.e., when measurements are done. The offset between DPCH and SCH should be zero chips at base station meaning that SCH is overlapping with the first symbols in DPCH in the beginning of DPCH slot structure.

**Table C.3. Downlink Physical Channels transmitted during a connection.<sup>2</sup>**

Physical Channel	Power
CPICH	$CPICH_{Ec/Ior} = -10$ dB
PCCPCH	$PCCPCH_{Ec/Ior} = -12$ dB
SCH	$PCCPCH_{Ec/Ior} = -12$ dB
PICH	$PICH_{Ec/Ior} = -15$ dB
DPCH	The power needed to meet the BER/BLER target
OCNS	Necessary power so that total transmit power spectral density of BS ( $I_{or}$ ) adds to one

<sup>2</sup> Power levels are based on the assumption that multipath propagation conditions and noise source representing interference from other cells  $I_{oc}$  are turned on after the call set-up phase.

## Annex D (normative): Environmental conditions

### D.1 General

This normative annex specifies the environmental requirements of the UE. Within these limits the requirements of this specifications shall be fulfilled.

### D.2 Environmental requirements

The requirements in this clause apply to all types of UE(s)

#### D.2.1 Temperature

The UE shall fulfil all the requirements in the full temperature range of:

+15°C to +35°C	for normal conditions (with relative humidity of 25 % to 75 %)
-10°C to +55°C	for extreme conditions (see IEC publications 68-2-1 and 68-2-2)

Outside this temperature range the UE, if powered on, shall not make ineffective use of the radio frequency spectrum. In no case shall the UE exceed the transmitted levels as defined in S25.101 for extreme operation.

#### D.2.2 Voltage

The UE shall fulfil all the requirements in the full voltage range, i.e. the voltage range between the extreme voltages.

The manufacturer shall declare the lower and higher extreme voltages and the approximate shutdown voltage. For the equipment that can be operated from one or more of the power sources listed below, the lower extreme voltage shall not be higher, and the higher extreme voltage shall not be lower than that specified below.

Power source	Lower extreme voltage	Higher extreme voltage	Normal conditions voltage
AC mains	0,9 * nominal	1,1 * nominal	nominal
Regulated lead acid battery	0,9 * nominal	1,3 * nominal	1,1 * nominal
Non regulated batteries:			
- Leclanché / lithium	0,85 * nominal	Nominal	Nominal
- Mercury/nickel & cadmium	0,90 * nominal	Nominal	Nominal

Outside this voltage range the UE if powered on, shall not make ineffective use of the radio frequency spectrum. In no case shall the UE exceed the transmitted levels as defined in S25.101 for extreme operation. In particular, the UE shall inhibit all RF transmissions when the power supply voltage is below the manufacturer declared shutdown voltage.

### D.2.3 Vibration

The UE shall fulfil all the requirements when vibrated at the following frequency/amplitudes:

<b>Frequency</b>	<b>ASD (Acceleration Spectral Density) random vibration</b>
5 Hz to 20 Hz	0,96 m <sup>2</sup> /s <sup>3</sup>
20 Hz to 500 Hz	0,96 m <sup>2</sup> /s <sup>3</sup> at 20 Hz, thereafter –3 dB/Octave

Outside the specified frequency range the UE, if powered on, shall not make ineffective use of the radio frequency spectrum. In no case shall the UE exceed the transmitted levels as defined in S25.101 for extreme operation

## Annex E (Informative): Open items

Section number	Section description	Status
3.1	Definitions	Definition of average power ....
5.2	Frequency bands	The deployment of TDD in the 1920 MHz to 1980 MHz band is an open item
6.6.2.2	Adjacent Channel Leakage power Ratio (ACLR)	The possibility is being considered of dynamically relaxing the ACLR requirements for User Equipment(s) under conditions when this would not lead to significant interference (with respect to other system scenario or UMTS operators). This would be carried out under network control, primarily to facilitate reduction in UE power consumption.
6.4.2.1.1	Power control steps minimum requirement	The timing requirement for power control steps is FFS
6.4.2.1.1	Power control steps minimum requirement	<p>The current text does not cover the case where a power command is a multiple of the step size defined in 6.4.3</p> <p>RAN WG1 is currently;</p> <ul style="list-style-type: none"> <li>Analyzing the benefits of introduction of smaller step sizes (&lt;1 dB&gt;as an option</li> <li>Investigating the benefits of emulated step size which imply that changes in the output power occurs at a rate lower than the one defined in 6.4.5</li> </ul>
6.8.3	Peak code domain error	Outstanding
7	Receiver characteristic	All tables need change due to harmonization and changes to the downlink measurement channels in measurement. Note that the requirements are unchanged.


## Annex F (Informative): UE capabilities (FDD)

This section is based on the LS sent to TSG-T2 on baseline terminal capabilities, which has been updated to take into account changes in UE radio requirement specifications TS25.101

### F.1 Baseline Implementation Capabilities

**Table E1: Baseline implementation capabilities**

Capability FDD	Section	UE*	Comments
Chip rate 3.84 Mcps	5.1	M	
Frequency bands – 1920-1980, 2110-2170 MHz – Other spectrum	5.2	M O	As Declared
TX-RX Freq. Sep: - 190 MHz - Variable	5.3	M O	As Declared
Carrier raster	5.4	M	
UE maximum output power	6.2.1	M	At least one power class

(\* M = mandatory, O = optional)

### F.2 Service Implementation Capabilities

For further study.



---

## History

<b>Document history</b>		
V0.0.1	1999-02-01	Merged document from (ARIB) Specification of Mobile Station for 3G Mobile System ver 1.0-1.0) and (ETSI) XX06v0.4.01 UTRA FDD; Radio transmission and reception.
V0.0.2	1999-16-02	First pass merged document presented to meeting
V0.0.3	1999-24-02	2 <sup>nd</sup> pass merged document incorporating changes from WG4 meeting #2. Sent to reflector for comment.
V1.0.0	1999-24-03	Document status raised to revision v1.0.0 at TSG RAN#2. No Technical or editorial content changes from previous V0.0.3 release apart from change to revision.
V1.1.0	1999-12-04	3 <sup>rd</sup> release of document incorporating changes from WG4 meeting #3, sent to reflector for comment
TS 25.101 V1.0.0	1999-22-04	Noted by TSG-RAN as TS 25.101 V1.0.0
TS 25.101 V1.2.0	1999-06-02	Document incorporating changes from WG4 meeting #4, sent to reflector for comment
TS 25.101 V2.0.0	1999-06-16	Document approved by WG4 meeting#5 and submitted to TSG RAN meeting #5 (June 1999) as TSGR#4(99)359
TS 25.101 V2.1.0	1999-06-16	Incorporating changes specified at RAN #5 regarding harmonization
TS 25.101 V2.2.0	1999-08-11	Document incorporating changes from WG4 meeting #6, sent to reflector for comment
TS 25.101 V2.3.0	1999-09-24	Document incorporating changes from WG4 meeting #7, sent to reflector for comment
TS 25.101 V2.4.0	1999-10-01	Document incorporating changes from WG4 AH01 at Noordwijkerhout 30 <sup>th</sup> September to 1 <sup>st</sup> October.
TS 25.101 V2.4.1	1999-10-05	Document incorporating editorial changes to last release. Document submitted to RAN#5 at Kyongju , Korea.
TS 25.101 V3.0.0	1999-10-07	Document approved by TSG-RAN#5.

Editor for TS 25.101 UE Radio transmission and Reception (FDD)

Edgar Fernandes

Motorola Ltd.

Tel: +44 (0) 1256 790168

Fax: +44 (0) 1256 790190

Email: [Edgar\\_Fernandes@europe27.mot.com](mailto:Edgar_Fernandes@europe27.mot.com)

This document is written in Microsoft Word 7