

**Agenda Item:** 8.7  
**Source:** Nokia  
**Title:** Proposal to move connection figures into Annex  
**Document for:** Approval

---

## 1. Introduction

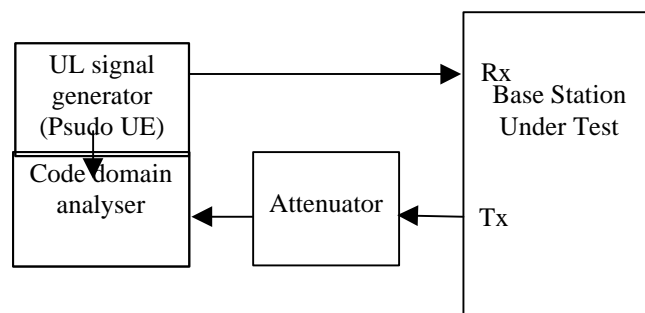
Current specification has a connection figures attached into the each test case. Quite often figures are same between different test case's. To avoid unnecessary repetition Nokia proposes to move connection figures to the Annex and use them as an example how each measurement case can be implemented.

Same time text reference for connection figures is need to be added indicating that examples of connection figures can be found from the appropriate annex.

Note: This proposal based on TS25.141 ver.2.0.2 specification and will not include new figures which are proposed after document ver. 2.0.2 has been released.

## 2. Text proposal

### Annex X: Connection Figures



*Fig. X-1 Configuration for power control steps measurement*

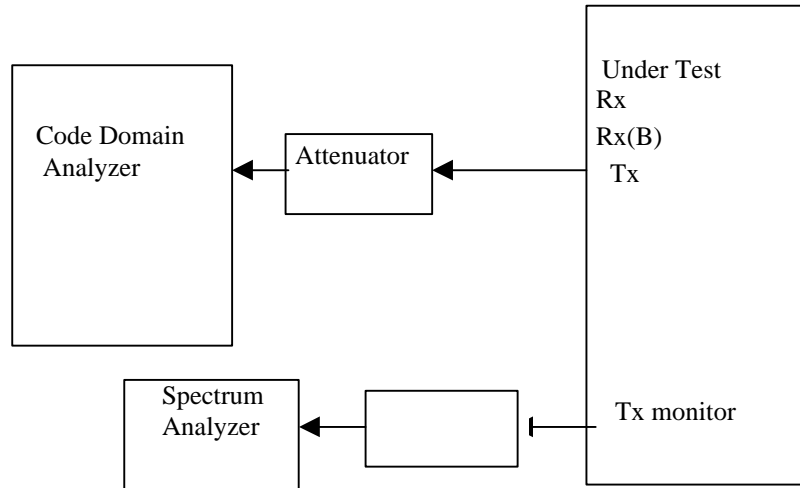


Fig. X-2 Configuration for power measurements

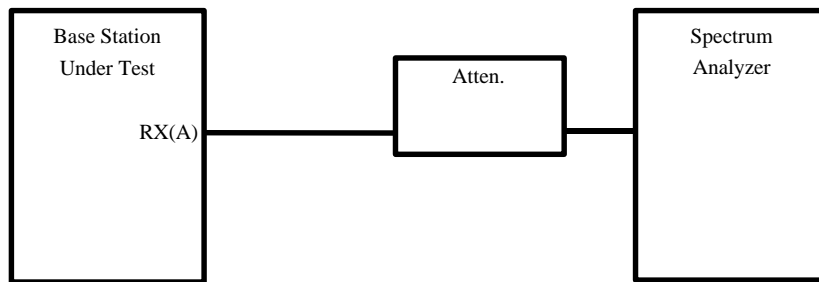


Fig. X-3 Functional Setup for Transmission on/off Ratio Test.

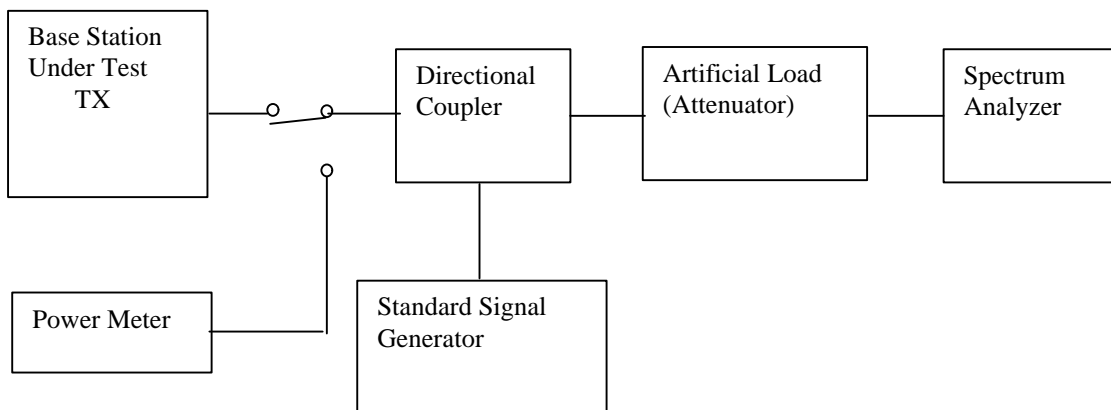


Fig.X -4 Functional Setup for Base Station Intermodulation Spurious Response Testes

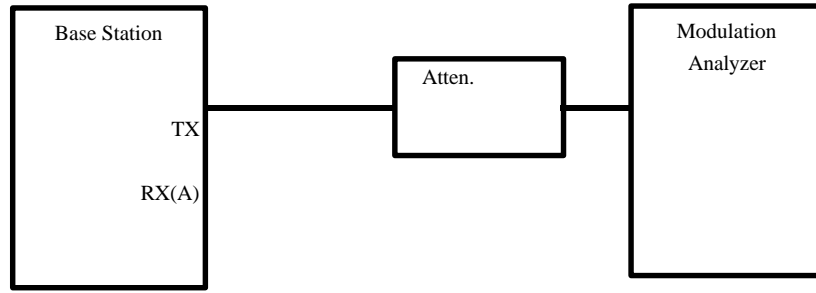
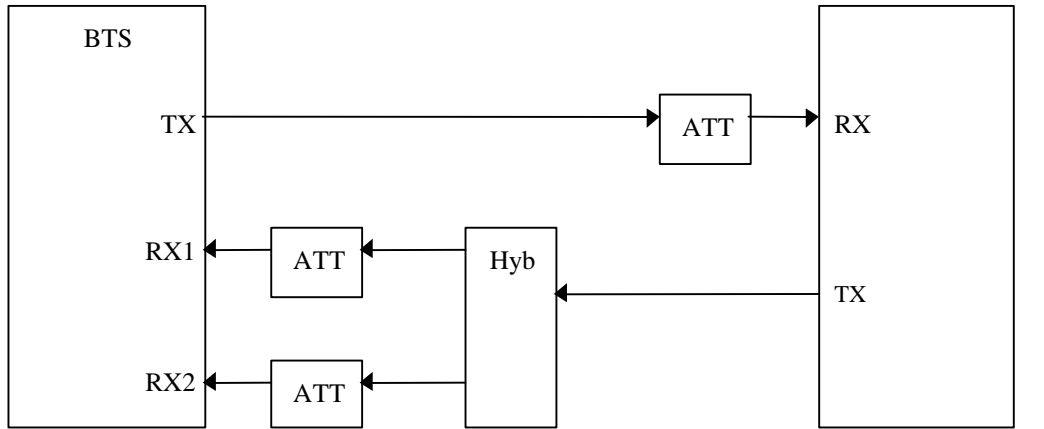
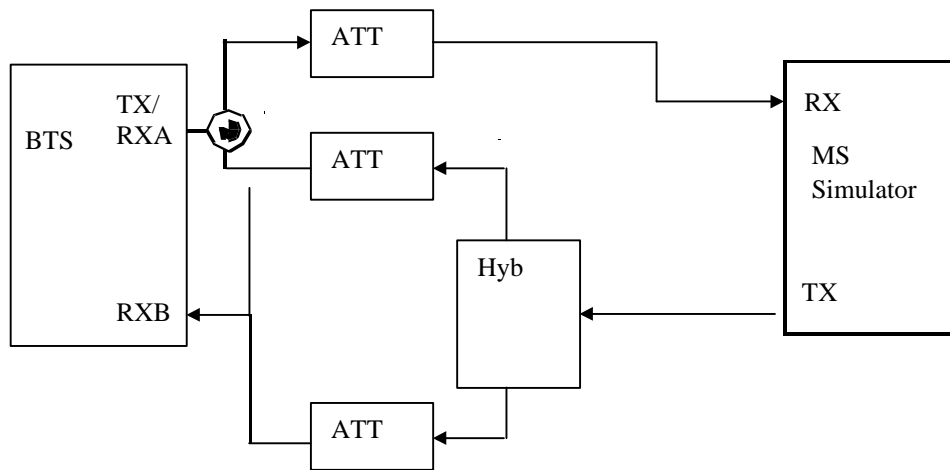


Fig.X -5 Setup for Modulation Accuracy Test.



Setup for Base Station Reference sensitivity level (without duplex operation case)



-7 Functional Setup for Base Station Testes (with case)

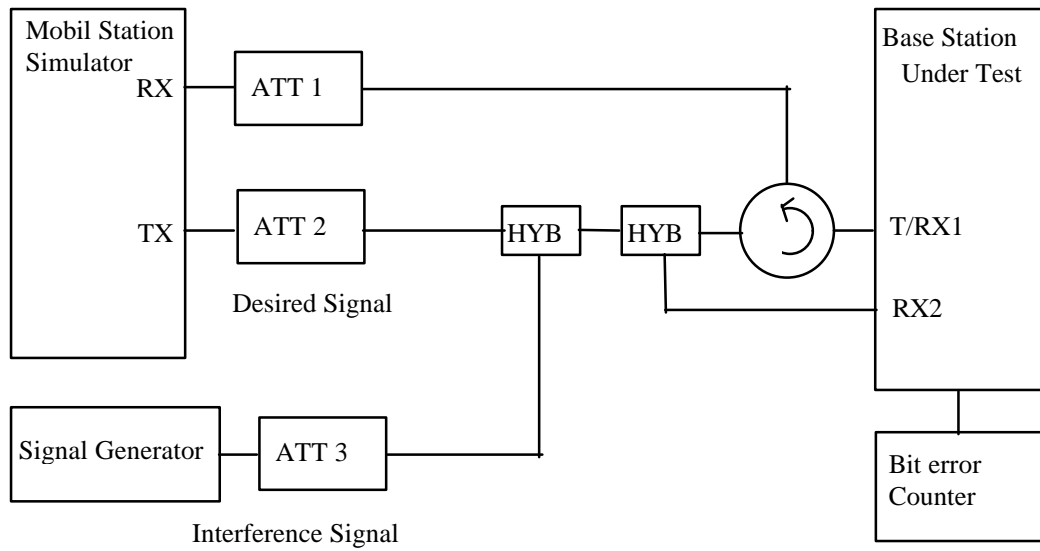
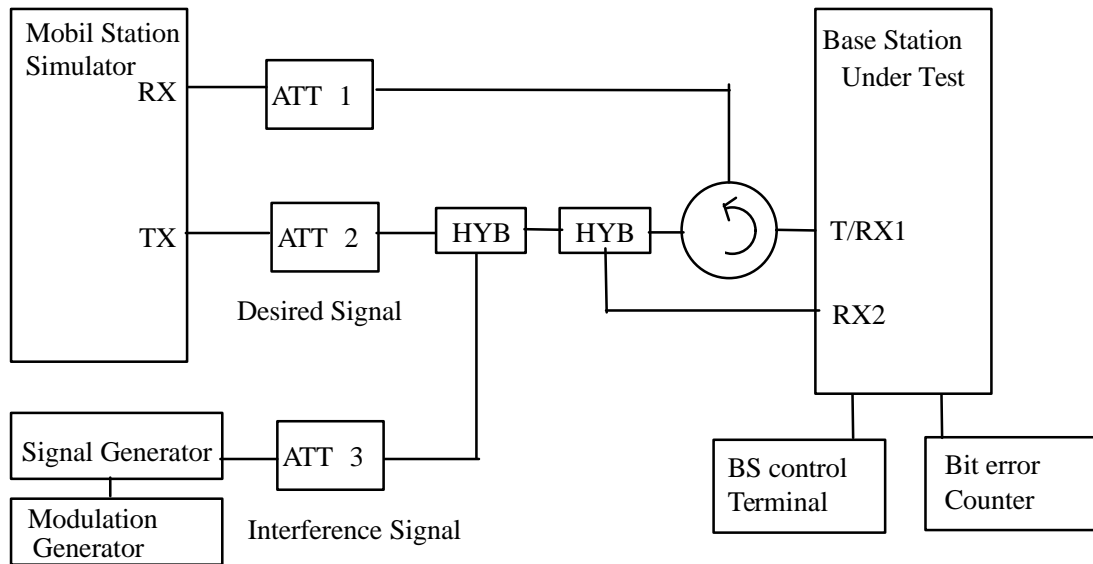


Fig.X -9 Measuring system Setup for Blocking characteristics

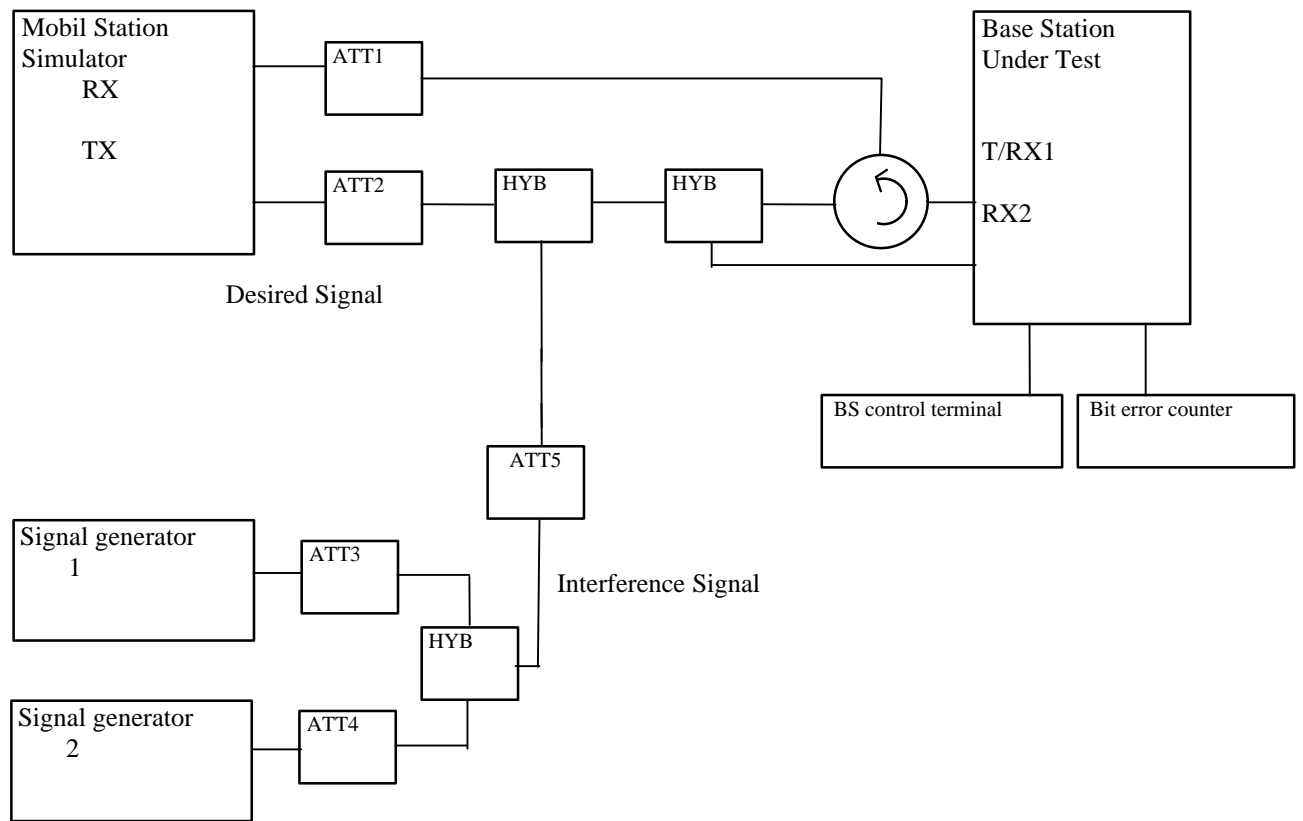


Fig.X-10 Measuring system Setup for Reception Intermodulation sensitivity

### 3. Conclusion

Connection figures to be moved into annex and text reference to each test to be added has been proposed used in TS25.141.