

3GPP TSG-RAN Working Group 3
Sophia Antipolis, France
August 23-27, 1999

TSGR3#6(99)809

Agenda Item:

Source: Editor

Title: 25:430 UTRAN I_{ub} Interface: General Aspects and Principles V0.1.4

Document for: Approval

Introduction

Find attached changes based on agreements made at RAN WG3#5. The resulting specification is Version 0.1.4 of TS 25.430 'Iub Interface : General Aspects & Principles'. In addition an updated editor's status report is attached.

TS 25.430 V0.1.4 (1999-07)

Technical Specification

**3rd Generation Partnership Project (3GPP);
Technical Specification Group (TSG) RAN;**

UTRAN I_{ub} Interface: General Aspects and Principles

UMTS <spec>



Reference

<Workitem> (<Shortfilename>.PDF)

Keywords

<keyword[, keyword]>

3GPP

Postal address

Office address

Internet

secretariat@3gpp.org
Individual copies of this deliverable
can be downloaded from
<http://www.3gpp.org>

Copyright Notification

No part may be reproduced except as authorized by written permission.
The copyright and the foregoing restriction extend to reproduction in all media.

©
All rights reserved.

Contents

1	SCOPE	67
2	REFERENCES	67
3	DEFINITIONS, SYMBOLS AND ABBREVIATIONS	67
3.1	DEFINITIONS	67
3.2	SYMBOLS	67
3.3	ABBREVIATIONS	67
4	GENERAL ASPECTS	78
4.1	UTRAN ARCHITECTURE.....	78
4.2	I _{UB} INTERFACE GENERAL PRINCIPLES.....	89
4.3	I _{UB} INTERFACE SPECIFICATION OBJECTIVES	89
4.4	IUB INTERFACE CAPABILITIES.....	910
4.5	IUB INTERFACE CHARACTERISTICS.....	910
4.5.1	<i>Mapping of Iub data streams</i>	910
4.6	I _{UB} PROTOCOLS	1011
5	FUNCTIONS OF THE I_{UB} INTERFACE PROTOCOLS	1011
5.1	IUB FUNCTIONS	1011
5.2	FUNCTIONAL SPLIT OVER IUB	1112
5.2.1	<i>Traffic management</i>	1112
5.2.1.1	Management of dedicated resources	1112
5.2.1.2	Management of common radio channels.....	1213
5.2.1.3	Control of traffic flows.....	1213
5.2.2	<i>Macro-diversity Combining of Radio Frames</i>	1213
5.2.3	<i>Control of Macro-diversity Combining/Splitting Topology</i>	1213
5.2.4	<i>Soft Handover Decision</i>	1213
5.2.5	<i>Handling of Node B Hardware Resources</i>	1213
5.2.6	<i>Allocation of Downlink Channelisation Codes</i>	1213
5.2.7	<i>UpLink Power Control</i>	1213
5.2.8	<i>Down-Link Power Control</i>	1213
5.2.9	<i>Admission Control</i>	1213
5.2.10	<i>Power and Interference Management</i>	1314
6.	NODE B LOGICAL MODEL OVER IUB	1314
6.1	OVERVIEW.....	1314
6.2	ELEMENTS OF THE LOGICAL MODEL.....	1415
6.2.1	<i>Radio Network Logical resources</i>	1415
6.2.2	<i>Transport network logical resources</i>	1415
6.2.2.1	Node B Control Port.....	1415
6.2.2.2	Communication Control Port.....	1415
6.2.2.3	Traffic Termination Point	1415
6.2.2.4	Iub DCH Data Port	1415
6.2.2.5	Iub RACH Data Port.....	1415
6.2.2.6	Iub FACH Data Port	1415
6.2.2.7	Iub FDD DSCH Data Port	1516
6.2.2.8	Iub TDD DSCH Data Port	1516
6.2.2.9	Iub TDD USCH Data Port	1516
6.2.3	<i>Node B Communication Contexts for Dedicated Channels</i>	1516
6.2.4	<i>Common Channels</i>	1516
7	IUB INTERFACE PROTOCOL STRUCTURE	1617
8	OTHER IUB INTERFACE SPECIFICATIONS	1617
8.1	UTRAN IUB INTERFACE: LAYER 1 (TSG RAN 25.431).....	1617
8.2	UTRAN IUB INTERFACE: SIGNALLING TRANSPORT (TSG RAN 25.432).....	1718

8.3	NBAP SPECIFICATION (TSG RAN 25.433).....	1718
8.4	UTRAN IUB INTERFACE: DATA TRANSPORT & TRANSPORT SIGNALLING FOR COMMON TRANSPORT CHANNEL DATA STREAMS (TSG RAN 25.434).....	1718
8.5	UTRAN IUB INTERFACE: USER PLANE PROTOCOLS FOR COMMON TRANSPORT CHANNEL DATA STREAMS (TSG RAN 25.435).....	1718
8.6	UTRAN IUR/IUB INTERFACE: DATA TRANSPORT & TRANSPORT SIGNALLING FOR DCH DATA STREAMS (TSG RAN 25.426).....	1718
8.7	UTRAN IUR/IUB INTERFACE: USER PLANE PROTOCOL FOR DCH DATA STREAMS (TSG RAN 25.427).....	1718
8.8	SUMMARY OF UTRAN IUB INTERFACE TECHNICAL SPECIFICATIONS	1718
9	BIBLIOGRAPHY	1819
10	HISTORY	1920
	ANNEX A DOCUMENT STABILITY ASSESSMENT TABLE	2021

Intellectual Property Rights

Foreword

This Technical Specification (TS) has been produced by the 3rd Generation Partnership Project (3GPP).

The contents of this TS are subject to continuing work within 3GPP and may change following formal TSG approval. Should the TSG modify the contents of this TS, it will be re-released with an identifying change of release date and an increase in version number as follows:

Version m.t.e

where:

- m indicates [major version number]
- x the second digit is incremented for all changes of substance, i.e. technical enhancements, corrections, updates, etc.
- y the third digit is incremented when editorial only changes have been incorporated into the specification.

1 Scope

The present document is an introduction to the TSG RAN TS 25.43x series of UMTS Technical Specifications that define the Iub Interface. The Iub interface is a logical interface for the interconnection of NodeB and Radio Network Controller (RNC) components of the UMTS Terrestrial Radio Access Network (UTRAN) for the UMTS system.

2 References

The following documents contain provisions which, through reference in this text, constitute provisions of the present document.

- References are either specific (identified by date of publication, edition number, version number, etc.) or non-specific.
- For a specific reference, subsequent revisions do not apply.
- For a non-specific reference, the latest version applies.
- A non-specific reference to an ETS shall also be taken to refer to later versions published as an EN with the same number.

- [1] 25.401 UTRAN Overall Description
- [2] 25.442 UTRAN Implementation Specific O&M transport
- [3] 25.432 UTRAN Iub interface signalling transport
- [4] 25.302 Services Provided by the Physical Layer
- [5] ITU-T Recommendation Q.2130 B-ISDN Signaling ATM Adaptation Layer – Service Specific Coordination Function for Support of Signaling at the User Network Interface (SSCF at UNI) (7/94).
- [6] Draft New ITU-T Recommendation Q.2150.2 AAL Type 2 Signalling Transport Converter on SSCOP.

3 Definitions, symbols and abbreviations

3.1 Definitions

For the purposes of the present document, the [following] terms and definitions [given in ... and the following] apply.

3.2 Symbols

For the purposes of the present document, the following symbols apply:

3.3 Abbreviations

For the purposes of the present document, the following abbreviations apply:

AAL2	ATM Adaptation Layer type 2
AAL5	ATM Adaptation Layer type 5
ALCAP	Access Link Control Application Part
ATM	Asynchronous Transfer Mode

BCH	Broadcast Channel
BCCH	Broadcast Control Channel
CCH	Control Channel
CRNC	Controlling Radio Network Controller
DCH	Dedicated Transport Channel
DPCCH	Dedicated Physical Control Channel
DRNC	Drift Radio Network Controller
DSCH	Down-link Shared Channel
FACH	Forward Access Channel
FAUSCH	Fast Up-link Signalling Channel
FDD	Frequency Division Duplex
FP	Frame Protocol
NBAP	NodeB Application Part
O&M	Operation and Maintenance
PCCH	Paging Control Channel
PCH	Paging Channel
RACH	Random Access Channel
RNC	Radio Network Controller
RNS	Radio Network Subsystem
SCCP	Signalling Connection Control Part
SRNC	Serving Radio Network Controller
SSCF-UNI	Service Specific Co-ordination Function – User Network Interface
SSCOP	Service Specific Connection Oriented Protocol
TDD	Time Division Duplex
UE	User Equipment
UMTS	Universal Mobile Telecommunication System
USCH	Up-link Shared Channel
UTRAN	UMTS Terrestrial Radio Access Network

4 General Aspects

4.1 UTRAN Architecture

[Editor's note: This chapter should describe the UTRAN architecture from I_{ub} point of view. The RNS architecture with its elements RNC and NodeB is described to facilitate the description of functional split in chapter 5.

In order to avoid inconsistency between documents, appropriate references should be included.]

A Radio Network Subsystem (RNS) consists of a Radio Network Controller (RNC) and one or more abstract entities called Node B. Node Bs are connected to the RNC through the Iub interface.

A Node B can support FDD mode, TDD mode or dual-mode operation.

A Node B can comprise an optional combining/splitting function to support macro diversity inside a Node B.

The Iub interface within the UTRAN architecture is shown in Figure 1.

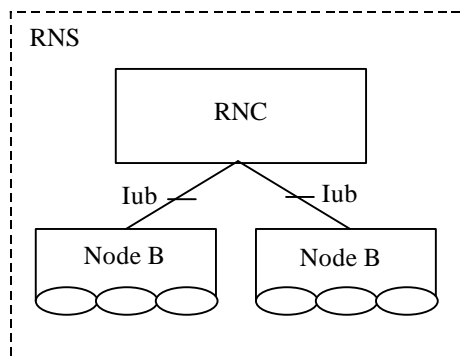


Figure 1. UTRAN Iub Interface

4.2 I_{ub} Interface General Principles

The general principles for the specification of the Iub interface are as follows:

- Transmission sharing between the GSM/GPRS Abis interface and the Iub interface shall not be precluded.
- The functional division between RNC and NodeB shall have as few options as possible;
- Iub should be based on a logical model of NodeB;
- NodeB controls a number of cells and can be ordered to add/remove radio links in those cells;
- Neither the physical structure nor any internal protocols of the NodeB shall be visible over Iub and are thus not limiting factors, e.g., when introducing future technology.
- Only the logical O&M [1] of NodeB is supported by the Iub.
- Complex functionality shall as far as possible be avoided over Iub. Advanced optimisation solutions may be added in later versions of the standard.
- The Iub functional split shall take into account the probability of frequent switching between different channel types.

4.3 I_{ub} Interface Specification Objectives

The I_{ub} interface specifications shall facilitate the following:

- Inter-connection of RNCs and NodeBs from different manufacturers;
- Separation of I_{ub} interface Radio Network functionality and Transport Network functionality to facilitate introduction of future technology.

The Iub parts to be standardised are:

1. User data
2. Signalling for handling the user data

3. NodeB Logical O&M [1] ¹.

4.4 Iub Interface Capabilities

The Iub interface connects a RNC and a Node B.

The information transferred over the Iub reference point can be categorised as follows:

4.4.1 Radio application related signalling

The Iub interface allows the RNC and the Node B to negotiate about radio resources, for example to add and delete cells controlled by the Node B to support communication of the dedicated connection between UE and SRNC. Information used to control the broadcast and paging channels, and information to be transported on the broadcast and paging channels, belong to this category also. In addition, logical O&M [1] between the Node B and RNC shall also be included in this category.

4.4.2 Iub/Iur DCH data stream

The Iub interface provides means for transport of uplink and downlink DCH Iub frames between RNC and Node B. The DCH Iub frame header includes uplink quality estimates and synchronisation information. The DCH Iub frame body comprises of data to be transferred over the radio interface.

4.4.3 Iub RACH data stream

The Iub interface provides means for transport of uplink RACH transport frames between RNC and Node B. The RACH transport frame header includes synchronisation information. The RACH transport frame body includes the data received over radio interface.

4.4.4 Iub FACH data stream

The Iub interface provides means for transport of downlink FACH transport frames between RNC and Node B. The FACH transport frame header includes synchronisation information. The FACH transport frame body includes the data to be sent over radio interface.

4.4.5 Iub DSCH data stream

The Iub interface provides the means for transport of downlink shared channel, DSCH, data frames between RNC and Node B. The DSCH Iub frame body comprises of data to be transferred over the radio interface.

4.5 Iub Interface Characteristics

[Editor's note: This chapter should shortly describe the I_{ub} -Interface Characteristics]

4.5.1 Mapping of Iub data streams

- DCH

¹ It should be possible to transport the Implementation Specific O&M [1] interface via the same transport bearer as the Iub interface and, hence, the lower layer transport mechanisms should be standardised to this effect. The application level content of the Implementation Specific O&M interface is out of scope of UTRAN standardisation. Where the implementation specific O&M interface shares the same bearer as the Iub interface, the transport layers shall be as specified in [2] and [3] respectively.

One Iub DCH data stream is carried on one transport bearer except in the case of coordinated DCHs in which case a set of coordinated DCHs are multiplexed onto the same transport bearer.

- RACH

One Iub RACH data stream is carried on one transport bearer. For each RACH in a cell, an Iub RACH data stream must be established over the Iub interface.

- FACH

One Iub FACH data stream is carried on one transport bearer. For each FACH in a cell, an Iub FACH data stream must be established over the Iub Interface.

- DSCH

One Iub DSCH data stream is carried on one transport bearer.

4.6 I_{ub} Protocols

[Editor's note: This section was missed out when extracting the Iub information from the S3.01 UTRAN Architecture: General Aspects and Principle as part of the previous editors proposals.]

There shall exist a clear separation between the radio network layer and the transport layer. Therefore, the radio network signalling and Iub data streams are separated from the data transport resource and traffic handling as show in Figure 2. This resource and traffic handling is controlled by the Transport Signalling. The Transport Signalling is carried by a Signalling Bearer over the Iub interface.

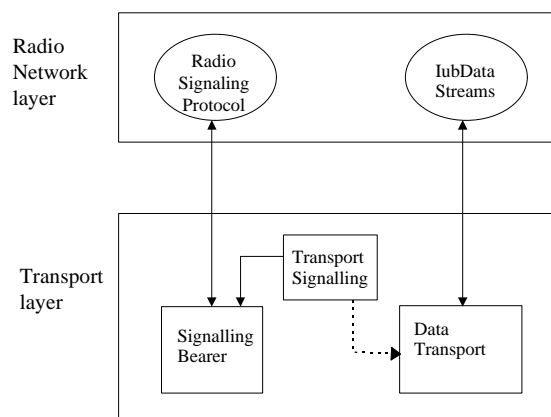


Figure 2. Separation of Radio Network protocols and transport over Iub

5 Functions of the I_{ub} Interface Protocols

5.1 Iub Functions

The list of functions on the Iub interface is the following:

1. Management of Iub Transport Resources
2. Logical O&M of Node B
 - Iub Link Management
 - Cell Configuration Management
 - Radio Network Performance Measurements
 - Resource Event Management
 - Common Transport Channels Management

- Radio Resource Management
 - System Information Update
3. Implementation Specific O&M Transport
 4. Traffic Management of Common Channels
 - Admission Control
 - Power Management
 - Data Transfer

[Editor's note: Radio Link Setup moved to next section:]

~~Radio Link Set-up~~

5. Traffic Management of Dedicated Channels
 - [Radio Link Set-up](#)
 - Channel Allocation / De-allocation
 - Power Management
 - Measurement Reporting
 - Dedicated Transport Channel Management
 - Data Transfer
6. Traffic Management of Downlink Shared Channels (FFS)
 - Channel Allocation / De-allocation
 - Power Management
 - Transport Channel Management
 - Data Transfer
7. Timing and Synchronisation Management

5.2 Functional split over Iub

Note: This is only an initial list.

5.2.1 Traffic management

5.2.1.1 Management of dedicated resources

These functions are related to the activation of logical resources (e.g. Radio Links, Iub ports), and the connection of these various resources together.

Some freedom may be left to Node B on some functions like allocation of codes or soft combining within Node B, since soft combining has merits for being executed as close as possible to the radio (both in terms of transmission cost and efficiency). This is FFS.

In particular it is FFS whether the allocation of channelisation codes is done by the Controlling RNC or by the Node B

5.2.1.2 Management of common radio channels

The common channels need to be controlled from the RNC. This is typically the control of the RACH channel, the information that is broadcast on the Broadcast control channel, and the control and request for sending information on the paging channels.

5.2.1.3 Control of traffic flows

Congestion on the Iub interface will need to be covered for asynchronous flows (i.e. those which may flow via AAL5). This concerns in particular the flow from radio channels where retransmission takes place in Node B and where soft handover is not applied.

5.2.2 Macro-diversity Combining of Radio Frames

Node B may perform macro-diversity combining/splitting of data streams communicated via its cells. RNC performs macro-diversity combining/splitting of Iub data streams received from/sent to several Node B(s).

5.2.3 Control of Macro-diversity Combining/Splitting Topology

When requesting the addition of a new cell for a UE-UTRAN connection, the RNC can explicitly request to the Node B a new Iub data stream, in which case the macro-diversity combining and splitting function within the Node B is not used for that cell. Otherwise, the Node B takes the decision whether macro-diversity combining and splitting function is used inside the Node B for that cell i.e. whether a new Iub data stream shall be added or not.

The internal Node B handling of the macro-diversity combining/splitting of radio frames is controlled by the Node B.

5.2.4 Soft Handover Decision

To support mobility of the UE to UTRAN connection between cells, UTRAN uses measurement reports from the UE and detectors at the cells. The mechanisms for this are FFS.

The RNC takes the decision to add or delete cells from the connection.

5.2.5 Handling of Node B Hardware Resources

Mapping of Node B logical resources onto Node B hardware resources, used for Iub data streams and radio interface transmission/reception, is performed by Node B.

5.2.6 Allocation of Downlink Channelisation Codes

Allocation of downlink channelisation codes of cells belonging to Node B is performed in the CRNC.

5.2.7 UpLink Power Control

This group of functions controls the level of the transmitted power in order to minimise interference and keep the quality of the connections. The function uplink Outer Loop Power Control located in SRNC sets the target quality for the uplink Inner Loop Power Control function located in Node B.

5.2.8 Down-Link Power Control

This group of functions controls the level of the downlink transmitted power in order to correct the downlink power drifting between several radio links. SRNC regularly (or under some algorithms) sends the target down link power range based on the measurement report from UE.

5.2.9 Admission Control

The Admission Control function based on uplink interference and downlink power is located in the CRNC.

The Node B shall be able to report uplink interference measurements and downlink power information over Iub.

The CRNC controls this reporting function, i.e. if these information need to be reported and the period of these reports.

Note : Other parameters for Admission Control are FFS.

Note : The possibility to have this Admission Control function in Node B is FFS.

5.2.10 Power and Interference Management

A threshold for reporting may be given to NodeB from the CRNC (using the MEASUREMENT CONTROL NBAP message) to prevent frequent reporting over the Iub. NodeB has a function to measure "uplink interference level and downlink TX Power" and a function to compare the averaged "uplink interference level and downlink TX power" with the threshold value. How this average value is calculated is for further study. Also NodeB has a function to report (using the MEASUREMENT REPORT NBAP message) when the average measured value exceeds the threshold value to the CRNC. The CRNC has a function to modify the "threshold value" for neighbour cell co-ordination.

An indication of exceeding uplink interference threshold or downlink TX power can be included as a cause of failure when a NodeB is requested to set-up a radio link or add to an existing radio link. This may be used when a number of radio links set-up requests or additions are received on the Iub during the reporting interval.

The cause value for uplink interference threshold is for further study

Co-ordination between CRNCs is for further study.

6. Node B logical Model over Iub

6.1 Overview

The model described in Figure 3. shows the Node B as seen from the controlling RNC. The model includes:

- the logical resources provided by Node B to UTRAN (via its Controlling RNC)
- the dedicated channels which have been established on Node B
- the common channels that Node B provides to the RNC

The procedures for controlling the connections between radio links and Iub DCH data ports are sent from the RNC to the Node B via the Communication Control Ports.

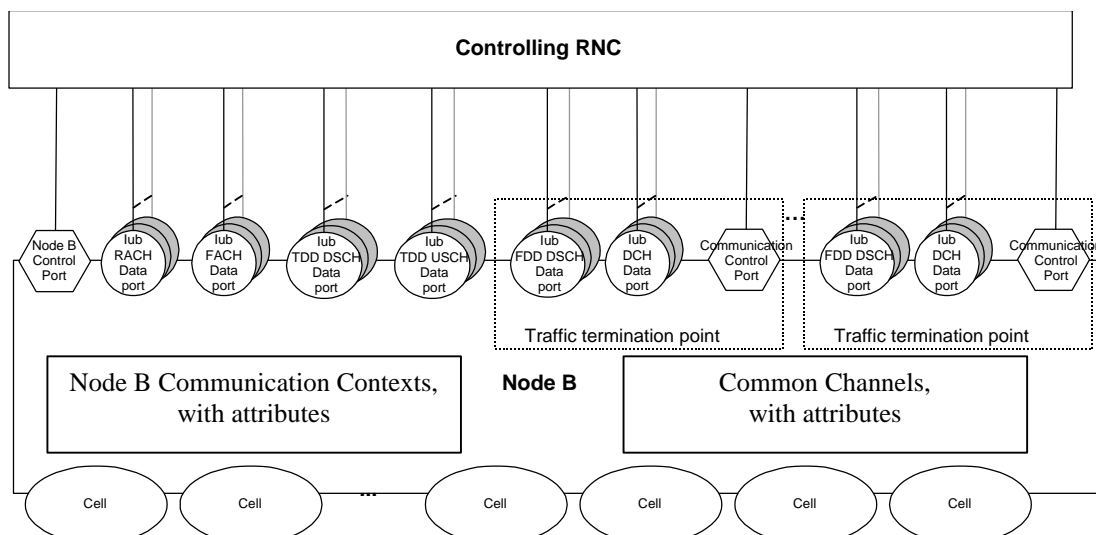


Figure 3. Logical Model of Node B

6.2 Elements of the logical model

6.2.1 Radio Network Logical resources

A Cell is a collection of Radio Links found at a specific location. It is defined by:

- a Cell identifier.

The semantics of a Cell include the following:

[Editor's note: the following is given as an example of cell creation/deletion]

- It is created and destroyed by administrative procedures e.g. when a cell site and/or RF carrier is added to, or deleted from, the RNS.

Node B may have one or more cells.

6.2.2 Transport network logical resources

6.2.2.1 Node B Control Port

The Node B Control Port is used to exchange the signalling information for the logical O&M of Node B, the creation of Node B Communication Contexts, the configuration of the common transport channels that Node B provides in a given cell, PCH and BCH control information between the RNC and the Node B. The Node B Control Port corresponds to one signalling bearer between the controlling RNC and the Node B. Whether there a Node B can have multiple Node B Control Ports (multiple signalling bearers), e.g. for load sharing or redundancy purposes, is FFS.

6.2.2.2 Communication Control Port

A Communication Control Port corresponds to one signalling bearer between the RNC and Node B for the control of Node B Communication Contexts. Node B may have multiple Communication Control Ports (one per Traffic Termination Point). The Communication Control Port is selected at creation of the Node B Communication Context.

6.2.2.3 Traffic Termination Point

Traffic Termination Point represents DCH and DSCH data streams belonging to one or more Node B Communication Contexts (UE contexts), which are controlled via one Communication Control Port. The Traffic Termination Point is thus a descriptive entity which neither is controlled over Iub nor by O&M.

6.2.2.4 Iub DCH Data Port

One Iub DCH Data port represents one user plane transport bearer. One user plane transport bearer will carry only one DCH data stream except in the case of coordinated DCHs, in which case the data streams of all combined DCHs shall be multiplexed on one and the same user plane transport bearer.

6.2.2.5 Iub RACH Data Port

An Iub RACH Data Port represents a user plane bearer carrying one Iub RACH Data Stream between the Node B and the RNC. There is one RACH Data Port for each RACH channel of Node B.

6.2.2.6 Iub FACH Data Port

An Iub FACH Data Port represents a user plane bearer carrying one Iub FACH Data Stream between the Node B and the RNC. There is one CCH Data Port for each FACH channel of Node B.

6.2.2.7 Iub FDD DSCH Data Port

An Iub FDD DSCH Data Port represents a user plane bearer carrying one Iub FDD DSCH Data Stream between the Node B and the RNC. For each DSCH there is one Iub FDD DSCH Data Port per NodeB communication context with data multiplexed on this DSCH .

Note The concepts of the DSCH data port within the NodeB logical model is a working assumption only valid in the case where a DSCH is associated with a downlink DPCCH.

6.2.2.8 Iub TDD DSCH Data Port

For each DSCH there is of single Iub TDD DSCH Data Port per cell.

6.2.2.9 Iub TDD USCH Data Port

For each USCH there is a single Iub TDD USCH Data Port per cell.

6.2.3 Node B Communication Contexts for Dedicated Channels

A Node B Communication Context corresponds to all the dedicated resources that are necessary for a user in dedicated mode and using dedicated channels as restricted to a given Node B.

There are a number of Node B Communication Contexts inside a given Node B.

The attributes to a Node B Communication Context are the following (not exhaustive):

- The list of Cells where dedicated physical resources are used
- The list of DCH which are mapped on the dedicated physical resources for that Node B Communication Context
- The complete DCH characteristics for each DCH, identified by its DCH-identifier [4].
- The list of Iub DCH Data Ports
- For each Iub DCH Data Port, the corresponding DCH and cells which are carried on this data port
- When the UE is using a DSCH, the identity of the DSCH Common Channel Context.
- Physical layer parameters (outer loop power control, etc)

6.2.4 Common Channels

A Common Channel corresponds to a radio Common Channel as configured by the Node B.

The BCCH and the PCCH are carried directly on the Node B control port using NBAP procedures. These Common Channels will not be mapped to individual data ports.

The RACH has a associated Iub RACH Data Port and the FACH has an associated Iub FACH Data Port.

Each UE multiplexed on each DSCH has an associated Iub DSCH Data Port.

The attributes of a Common channel are (not exhaustive)

- Type (RACH, FACH, DSCH, USCH)
- Cell (only one)
- Associated Iub RACH Data Port for a RACH, Iub FACH Data Port for a FACH.
- List of associated Iub DSCH Data ports for the DSCH.
- List of Node B Communication contexts identity

- Physical parameters

7 Iub Interface Protocol Structure

[Editor's note: This chapter should provide an introduction to the structure of the Iub interface protocols.]

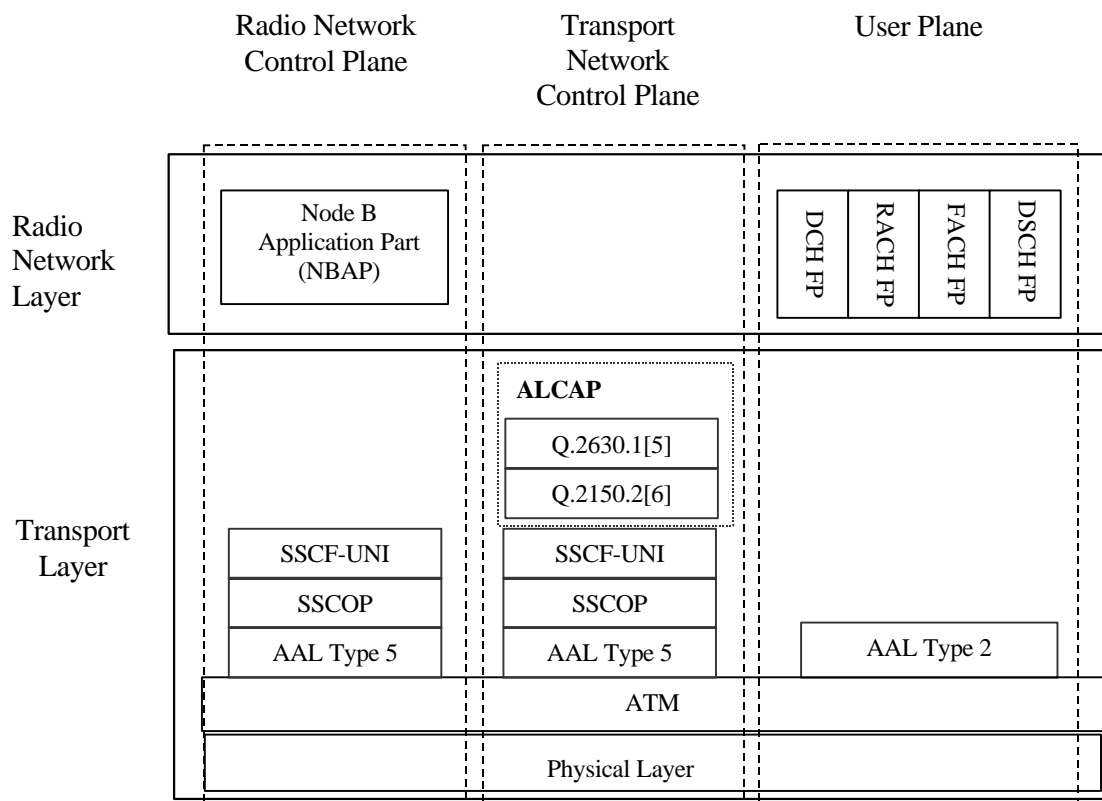


Figure 4: Iub Interface Protocol Structure.

Note: The possibility to share AAL2 needs further clarification; the FAUSCH FP is FFS.

The Iub interface protocol architecture consists of two functional layers:

- Radio Network Layer, defines procedures related to the operation of Node B. The radio network layer consists of a radio network control plane and a radio network user plane.
- Transport Layer, defines procedures for establishing physical connections between Node B and the RNC.

There shall be one dedicated AAL2 connection for each physical code channel conveying RACH data streams, and there shall be one dedicated AAL2 connection for each physical code channel conveying FACH data streams. The establishment and release of the AAL2 connection shall occur when the corresponding physical code channel is created and released, respectively.

8 Other Iub Interface Specifications

8.1 UTRAN Iub Interface: Layer 1 (TSG RAN 25.431)

This document specifies the standards allowed for the implement of Layer 1 (physical layer) on the I_{ub} interface.

8.2 UTRAN Iub Interface: Signalling Transport (TSG RAN 25.432)

This document specifies the signalling transport related to NBAP signalling to be used across the Iub Interface.

8.3 NBAP Specification (TSG RAN 25.433)

This document specifies the standards for NBAP specification to be used over Iub Interface.

8.4 UTRAN Iub Interface: Data Transport & Transport Signalling for Common Transport Channel Data Streams (TSG RAN 25.434)

This document provides a specification of the UTRAN RNC-Node B (Iub) interface Data Transport and Transport Signalling for Common Transport Channel data streams.

8.5 UTRAN Iub Interface: User Plane Protocols for Common Transport Channel Data Streams (TSG RAN 25.435)

This document provides a specification of the UTRAN RNC-Node B (Iub) interface user plane protocols for Common Transport Channel data streams.

8.6 UTRAN Iur/Iub Interface: Data Transport & Transport Signalling for DCH Data Streams (TSG RAN 25.426)

This Technical Specification specifies the transport bearers for the DCH data streams on UTRAN Iur and Iub interfaces. The corresponding Transport Network Control plane is also specified.

8.7 UTRAN Iur/Iub Interface: User Plane Protocol for DCH Data Streams (TSG RAN 25.427)

This document provides a specification of the UTRAN Iur and Iub interfaces user plane protocols for Dedicated Transport Channel data streams.

8.8 Summary of UTRAN Iub Interface Technical Specifications

The relationship between the technical specifications that define the UTRAN Iub interface is shown in figure 5.

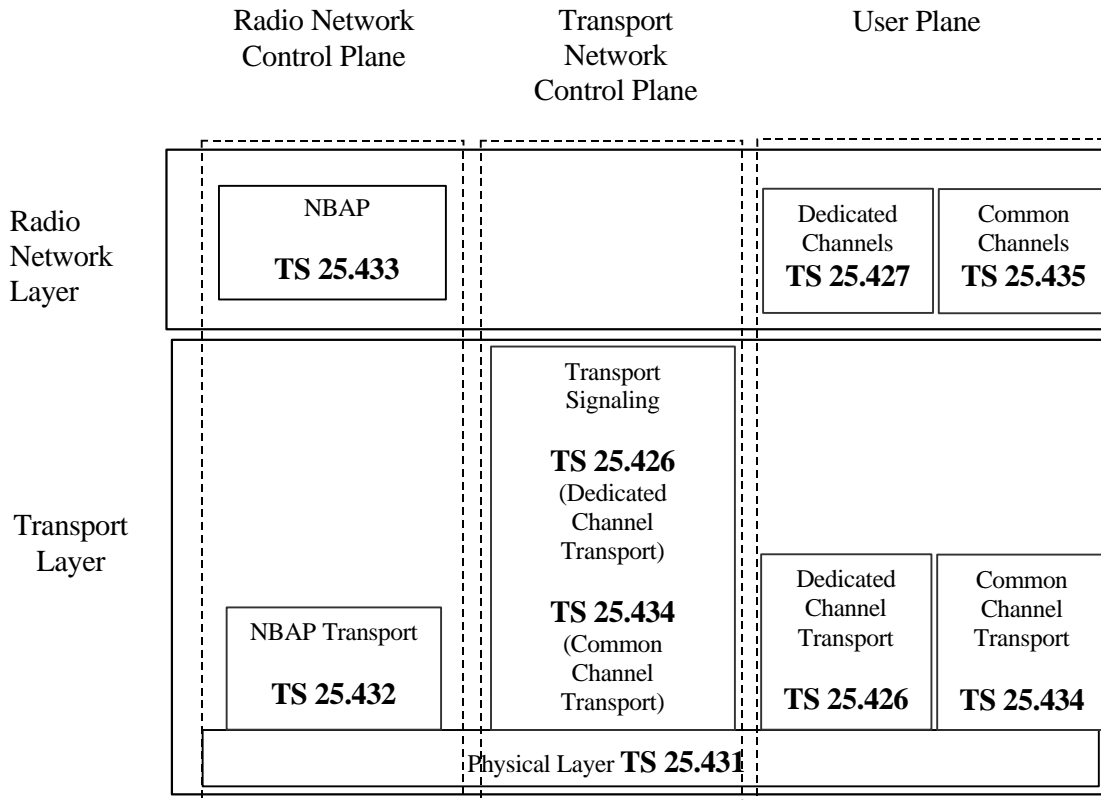


Figure 5: Iub Interface Technical Specifications.

9 Bibliography

The following material, though not specifically referenced in the body of the present document (or not publicly available), gives supporting information.

10History

Document history		
V0.0.1	1999-02	Initial Specification Structure
V0.0.2	1999-02	Inclusion of complete text from sections 6,7 and 8 of the baseline specification entitled "Merged Description of Iub Interface, Version 0.0.2"
V0.0.3	1999-03	Included new TTC Protocol Structure figure and removed AAL-5 in the user plane along with associated transport control.
V0.1.0	1999-04	Approved by TSG RAN WG3
V0.1.1	1999-05	Incorporated changes agreed during the RAN WG3 meeting (Kawasaki) including: Statement of scope and overview of Other Iub specifications (Tdoc R3-99274), UTRAN Architecture (section 4.1) , Interface Characteristics (section 4.4), Functional Split over the Iub (section 5.2), Node B logical Model over Iub (section 6) taken from TS25.401 UTRAN Overall Architecture (proposed in Tdoc R3-99274) Protocol Structure combining separate TTC and ETSI stacks (Tdoc R3-99274) Added the functional split for Power and Interference Management (section 5.2.10) taken from Tdoc R3-99365 Added assumption from TS 25.434 (Tdoc R3-99400) that MAC scheduling for common channels is done in the RNC into section 7. Inclusion of DSCH Data Port concepts into the NodeB Logical model based on Tdoc R3 99308.
V0.1.2	1999-06	Updated DCH descriptions in NodeB Logical Model to accommodate combined DCH concept from Tdoc 99-450. Updated NodeB Logical Model for TDD mode including USCH for TDD from Tdoc 99-496. Aligned O&M terminology/functions with current O&M specifications from Tdoc 99-469.
V0.1.3	1999-06	Corrections to additions made from Tdoc 99-469
V0.1.4	1999-07	Editorial Updates from Tdoc 99-765
Editor for 3GPP RAN TS 25.430 is:		
Mick Wilson Fujitsu Europe Telecom R&D Centre Tel.: +44 181 606 4801 Fax : +44 181 573 3602 Email : m.wilson@fujitsu.co.uk		
This document is written in Microsoft Word version 7/97.		

Annex A Document Stability Assessment Table

Section	Title	Content missing	Incomplete	Restructuring needed	Checking needed	Editorial work required	Finalisation needed	Almost stable	Stable	Comments/Outstanding Issues
1	Scope								√	
2	References						√			
3	Definitions, symbols and abbreviations							√		
3.1	Definitions				√					No specific definitions identified
3.2	Symbols								√	No specific symbols identified
3.3	Abbreviations							√		
4	General Aspects									
4.1	UTRAN Architecture							√		
4.2	I _{ub} Interface General Principles						√			Review required
4.3	I _{ub} Interface Specification Objectives						√			Review required
4.4	I _{ub} Interface Capabilities						√			Review required
4.5	I _{ub} Interface Characteristics						√			

	Mapping of Iub Data Streams						√			Review required
4.6	Iub Protocols							√		
5	Functions of the Iub Interface Protocols				√	√				
	Iub Functions	√			√					Traffic Management of Shared Channels (FFS)
5.2	over Iub				√	√				
5.2.1					√	√				
5.2.1.1	Management of dedicated resources	√			√					codes and soft combining in NodeB or CRNC is ffs
	Management of common radio					√				
	Control of traffic flows				√					
5.2.2	Macro-diversity Combining of Radio Frames						√			
5.2.3	Control of Macro-Combining/Splitting Topology					√				
5.2.4	Soft Handover Decision	√			√					reporting are ffs

5.2.5	Handling of Node B Hardware Resources						√			
5.2.6	Allocation of Downlink Channelisation Codes						√			
5.2.7	UpLink Power Control					√				
5.2.8	Down-Link Power Control					√				
5.2.9	Admission Control	√			√					<i>Parameters for Admission Control are FFS.</i> The possibility to have this Admission Control function in Node B is FFS.
5.2.10	Power and Interference Management	√			√					<i>The cause value for uplink interference threshold is for further study</i> <i>Co-ordination between CRNCs is for further study.</i>
6	Node B logical Model over Iub									
6.1	Overview				√					DSCH Data Port - a working assumption
6.2	Elements of the logical model				√					
6.2.1	Radio Network Logical resources						√			
6.2.2	Transport network	√			√					NodeB with multiple control

	logical resources									ports is ffs assumption
6.2.3	Node B Communication Contexts for Dedicated Channels				√					List of attributes - are more required?
6.2.4	Common Channels				√					List of attributes - are more required?
7	I _{ub} Interface Protocol Structure							√		
8	Other I _{ub} Interface Specifications							√		
9	Bibliography									No entries