

Hanover, Germany

30. August – 03. September 1999

Agenda Item: Ad Hoc 1

Source: Panasonic

**Text proposal for TS25.224: "Transmit diversity for SCH"****1. Introduction**

At Ad Hoc 6 in WG1 #7, the application of TSTD(Time Switched Transmit Diversity) scheme of SCH in TDD<sup>[1]</sup> was decided as working assumption. This document is text proposal for TS25.224.

**2. Text Proposal**

Text proposal for 25.224

**6.12 Transmit Diversity for SCH**

Time Switched Transmit Diversity (TSTD) can be employed as transmit diversity schemes for synchronisation channel.

**6.11.1 SCH transmission scheme**

The transmitter structure to support transmit diversity for SCH transmission is shown in Figure 1. P-SCH and S-SCH are transmitted from antenna 1 and antenna 2 alternatively. Example for antenna switching pattern is shown in Figure 2.

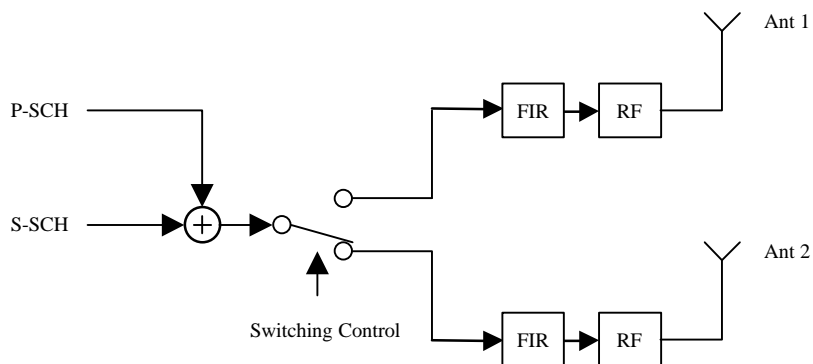


Figure 1. Downlink transmitter structure to support Transmit Diversity for SCH transmission (UTRAN Access Point)

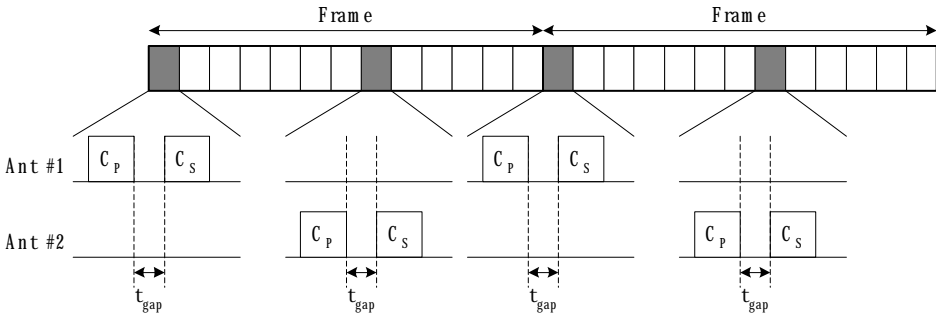


Figure 2. Antenna Switching Pattern (Case 2)

----- End of Text Proposal -----

**References**

[1] Tdoc 3GPP TSGR1#7(99)C18, "Performance Analysis of TSTD scheme for SCH in TDD"