

Agenda Item: 5.5
Source: editor
Title: Text proposal regarding S1.13 figures 1 and 2 channelisation code
Document for: agreement

In former meetings changes to S1.13 were agreed which used the number range convention 1..N for channelisation codes.

It has recently been discovered that figures 1 and 2 use the convention 0..N for indicating DPCCH and DPDCH codes and this has led to confusion amongst readers and this should be modified to increase clarity.

I propose that the DPCCH have code 'c' rather than '0' and the DPDCH code identifiers be 'd#' rather than '#' (a numeric).

Text proposal

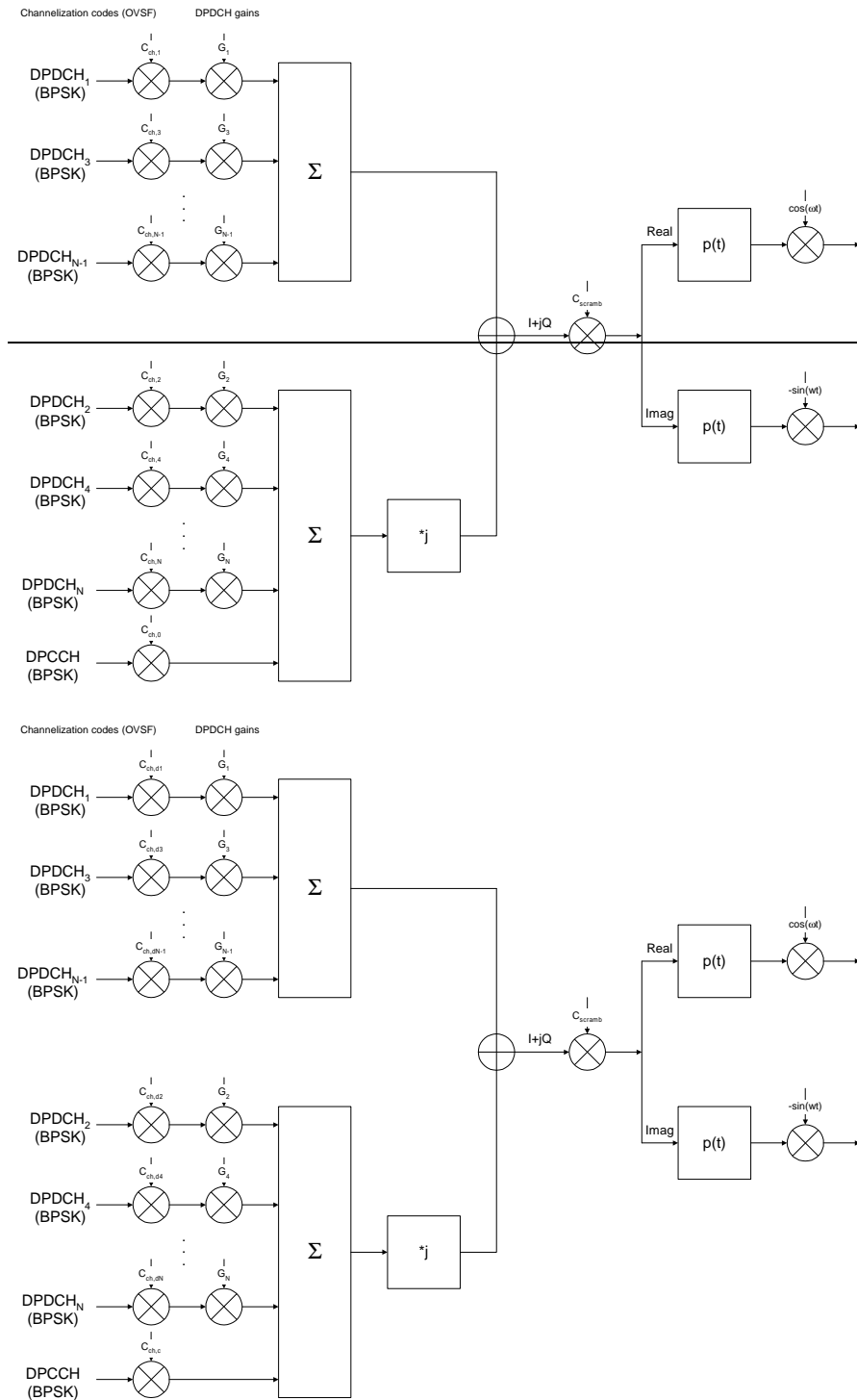


Figure 1 Spreading/modulation for uplink DPDCH/DPCCH for user services less than or equal to 1024kbps in the 5MHz band

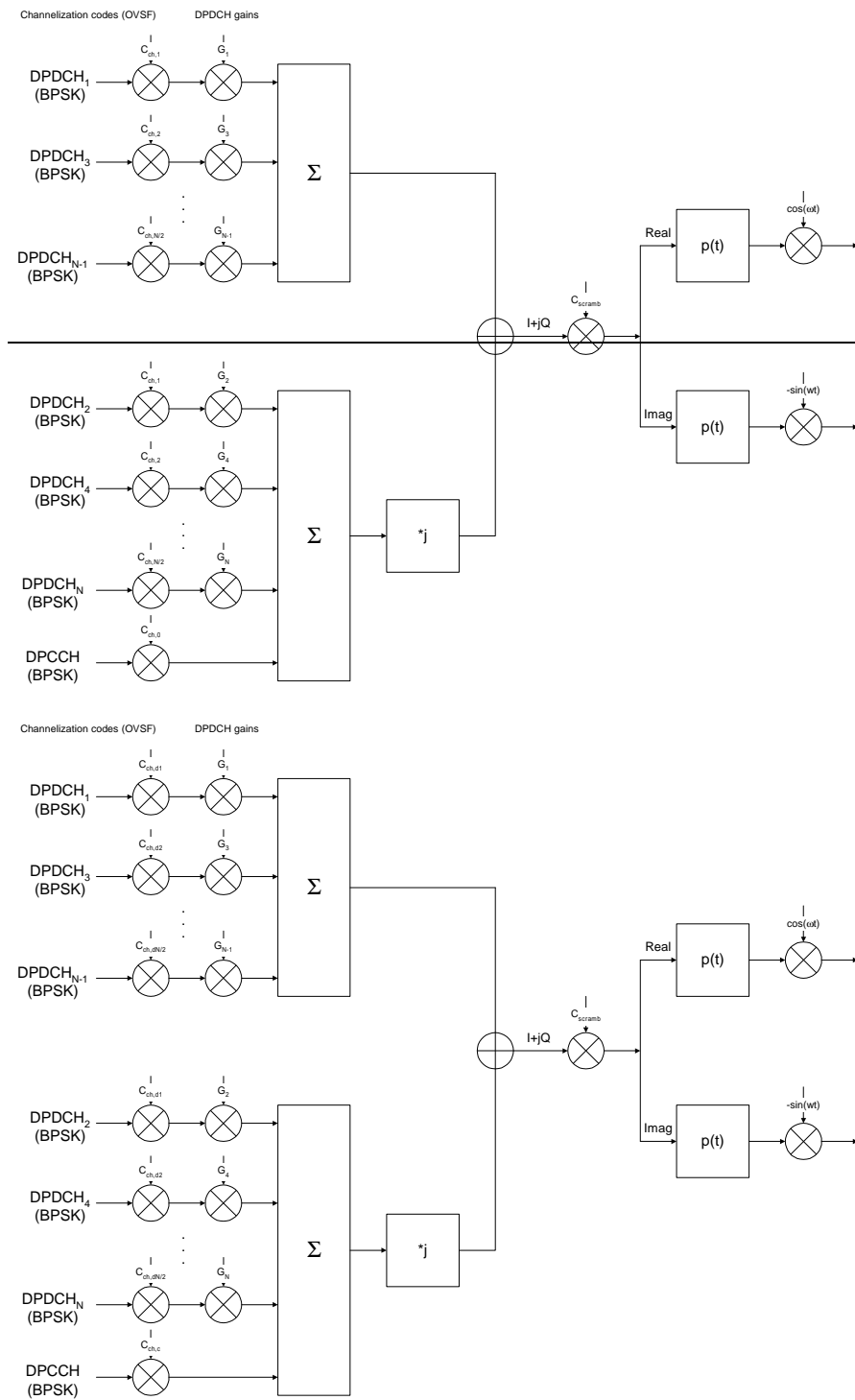


Figure 2. Spreading/modulation for uplink DPDCH/DPCCH for user services at 2048kbps in the 5MHz band