

**TSG-RAN Meeting #11
Palm Springs, CA, U.S.A., 13-16 March 2001**

RP-010123

Title: Agreed CRs to TS 25.430

Source: TSG-RAN WG3

Agenda item: 5.3.3

Tdoc_Num	Specification	CR_Num	Revision_Num	CR_Subject	CR_Category	WG_Status	Cur_Ver_Num	New_Ver_Num
R3-010150	25.430	015		Correction of ALCAP	F	agreed	3.4.0	3.5.0

CR-Form-v3

CHANGE REQUEST

⌘ **25.430 CR 015** ⌘ rev **-** ⌘ Current version: **3.4.0** ⌘

For **HELP** on using this form, see bottom of this page or look at the pop-up text over the ⌘ symbols.

Proposed change affects: ⌘ (U)SIM ME/UE Radio Access Network Core Network

Title:	⌘ Correction of ALCAP		
Source:	⌘ R-WG3		
Work item code:	⌘	Date:	⌘ January, 2001
Category:	⌘ F	Release:	⌘ R99
	<i>Use one of the following categories:</i> F (essential correction) A (corresponds to a correction in an earlier release) B (Addition of feature), C (Functional modification of feature) D (Editorial modification)		<i>Use one of the following releases:</i> 2 (GSM Phase 2) R96 (Release 1996) R97 (Release 1997) R98 (Release 1998) R99 (Release 1999) REL-4 (Release 4) REL-5 (Release 5)
	Detailed explanations of the above categories can be found in 3GPP TR 21.900.		

Reason for change:	⌘ In Figure 7, ALCAP consists of Q.2630.1 and Q.2150.2. As ALCAP consists of only Q.2630.1, this CR changes Figure 7.
Summary of change:	⌘ This CR corrects ALCAP in Figure 7.
Consequences if not approved:	⌘ The mistake corrected in this CR will remain.

Clauses affected:	⌘ 7	
Other specs affected:	<input type="checkbox"/> Other core specifications <input type="checkbox"/> Test specifications <input type="checkbox"/> O&M Specifications	⌘
Other comments:	⌘	

How to create CRs using this form:

Comprehensive information and tips about how to create CRs can be found at: http://www.3gpp.org/3G_Specs/CRs.htm. Below is a brief summary:

- 1) Fill out the above form. The symbols above marked ⌘ contain pop-up help information about the field that they are closest to.
- 2) Obtain the latest version for the release of the specification to which the change is proposed. Use the MS Word "revision marks" feature (also known as "track changes") when making the changes. All 3GPP specifications can be downloaded from the 3GPP server under <ftp://www.3gpp.org/specs/> For the latest version, look for the directory name with the latest date e.g. 2000-09 contains the specifications resulting from the September 2000 TSG meetings.
- 3) With "track changes" disabled, paste the entire CR form (use CTRL-A to select it) into the specification just in front of the clause containing the first piece of changed text. Delete those parts of the specification which are not relevant to the change request.

7 Iub Interface Protocol Structure

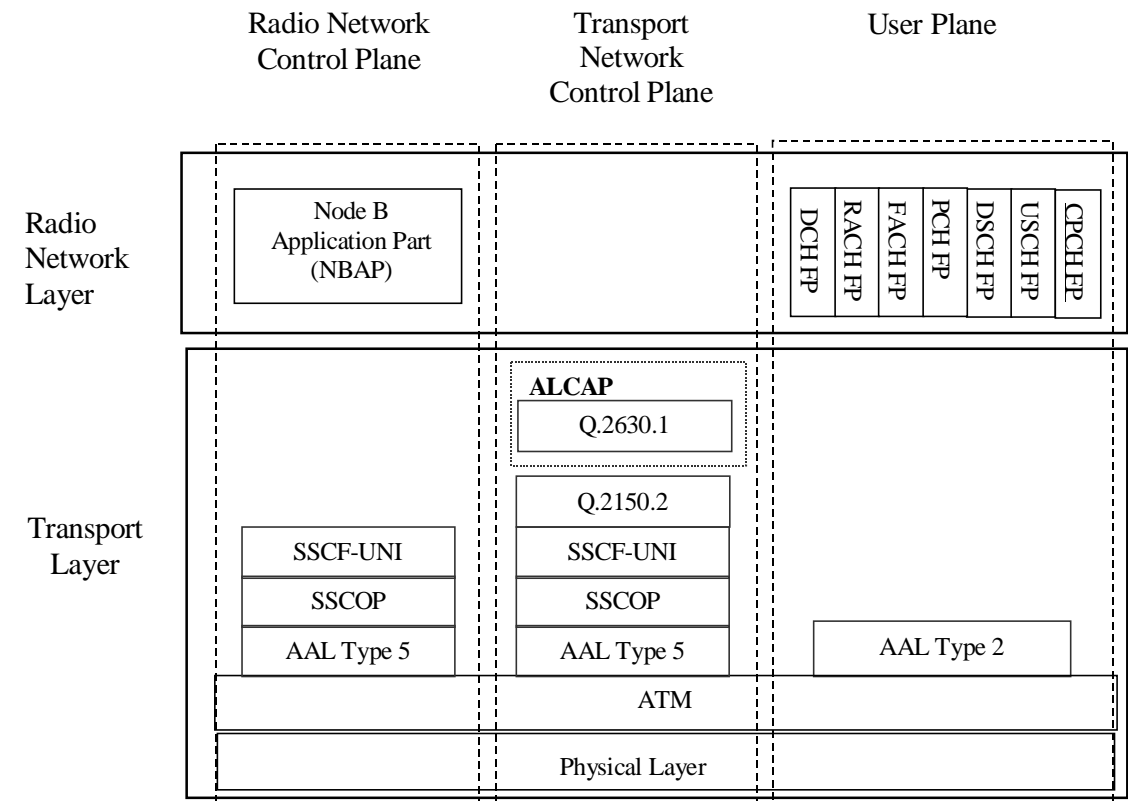
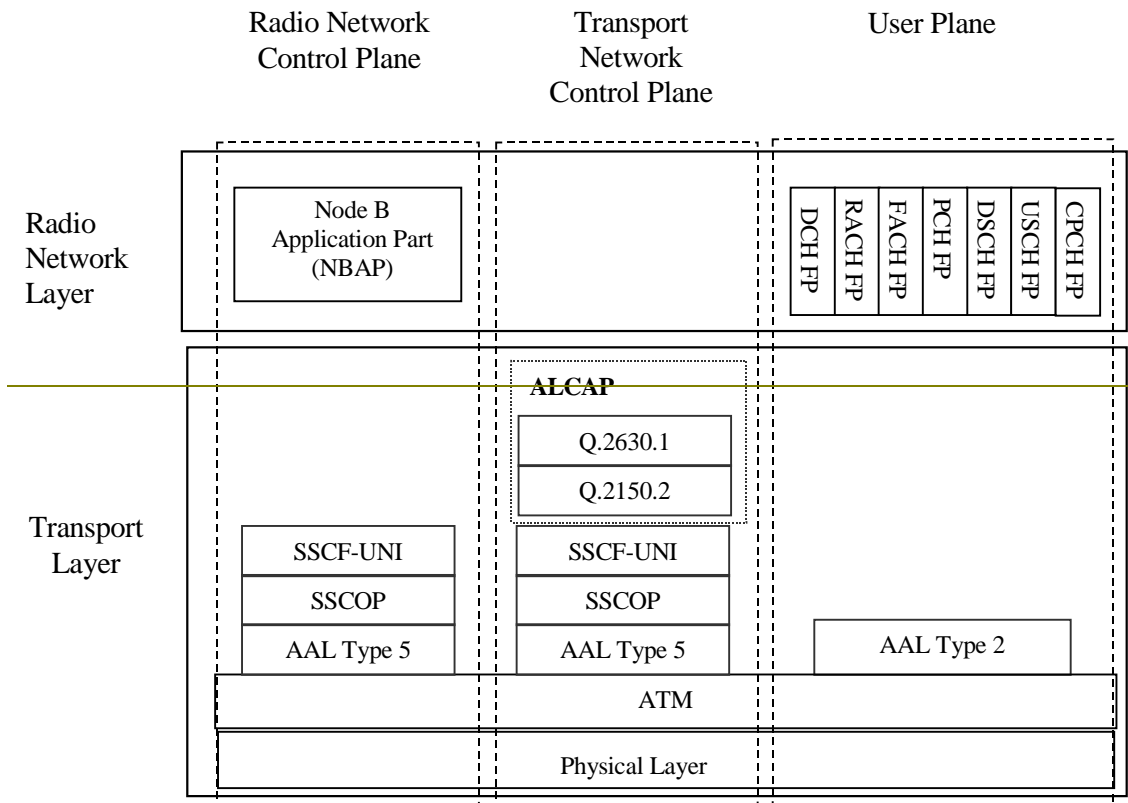


Figure 7: Iub Interface Protocol Structure.

The Iub interface protocol architecture consists of two functional layers:

1. Radio Network Layer, defines procedures related to the operation of Node B. The radio network layer consists of a radio network control plane and a radio network user plane.
2. Transport Layer, defines procedures for establishing physical connections between Node B and the RNC.

There shall be one dedicated AAL2 connection for each RACH, one for each FACH transport channel, and one for each CPCH [FDD].