

**TSG-RAN Meeting #10
Bangkok, Thailand, 6 - 8 December 2000**

TSGRP#10(00)0626

Title: Agreed CRs to TS 25.430

Source: TSG-RAN WG3

Agenda item: 5.3.3

Tdoc_Num	Specification	CR_Num	Revision_Nu	CR_Subject	CR_Categor	WG_Status	Cur_Ver_Nu	New_Ver_Nu
R3-003100	25.430	013		Correction on CSICH	F	agreed	3.3.0	3.4.0

CR-Form-v3

CHANGE REQUEST

⌘ **25.430 CR CR-013** ⌘ rev **-** ⌘ Current version: **3.0.0** ⌘

For **HELP** on using this form, see bottom of this page or look at the pop-up text over the ⌘ symbols.

Proposed change affects: ⌘ (U)SIM ME/UE Radio Access Network Core Network

Title:	⌘ Correction on CSICH		
Source:	⌘ R-WG3		
Work item code:	⌘	Date:	⌘ 2000.11
Category:	⌘ F	Release:	⌘ R99
<p><i>Use one of the following categories:</i></p> <p>F (essential correction) A (corresponds to a correction in an earlier release) B (Addition of feature), C (Functional modification of feature) D (Editorial modification)</p> <p>Detailed explanations of the above categories can be found in 3GPP TR 21.900.</p>		<p><i>Use one of the following releases:</i></p> <p>2 (GSM Phase 2) R96 (Release 1996) R97 (Release 1997) R98 (Release 1998) R99 (Release 1999) REL-4 (Release 4) REL-5 (Release 5)</p>	

Reason for change:	⌘ In TS 25.433, CSICH does not have Common Physical Channel ID. CSICH will always be defined with AP-AICH. Therefore Fig3 should be aligned with TS 25.433.
Summary of change:	⌘ Fig3 is corrected with CSICH.
Consequences if not approved:	⌘ Fig 3 can give ambiguity.

Clauses affected:	⌘ 6.2.4.1		
Other specs affected:	<input type="checkbox"/> Other core specifications <input type="checkbox"/> Test specifications <input type="checkbox"/> O&M Specifications	⌘	
Other comments:	⌘		

How to create CRs using this form:

Comprehensive information and tips about how to create CRs can be found at: http://www.3gpp.org/3G_Specs/CRs.htm. Below is a brief summary:

- 1) Fill out the above form. The symbols above marked ⌘ contain pop-up help information about the field that they are closest to.
- 2) Obtain the latest version for the release of the specification to which the change is proposed. Use the MS Word "revision marks" feature (also known as "track changes") when making the changes. All 3GPP specifications can be downloaded from the 3GPP server under <ftp://www.3gpp.org/specs/>. For the latest version, look for the directory name with the latest date e.g. 2000-09 contains the specifications resulting from the September 2000 TSG meetings.
- 3) With "track changes" disabled, paste the entire CR form (use CTRL-A to select it) into the specification just in front of the clause containing the first piece of changed text. Delete those parts of the specification which are not relevant to the change request.

6.2.4 Radio Network Logical resources

6.2.4.1 Common Resources

The CRNC manages logical radio network resources in Node B and needs to use both common and dedicated resources in a Node B to run a radio network. Therefore, it is the CRNC that orders the Node B to configure, reconfigure and delete these resources. However, if the equipment in Node B cannot fully support the configuration that the CRNC requests, or the equipment breaks down, then Node B can indicate the availability of the common resources (i.e. both downgrade and upgrade).

The common resources are the Cell, the common physical channels and the common transport channels.

In Node B these common resources have an operational state, that indicates whether they are operational or not, i.e. whether they can carry traffic or not.

Figure 3 shows the common resources that a CRNC is managing in a Node B to be able to run a radio network.

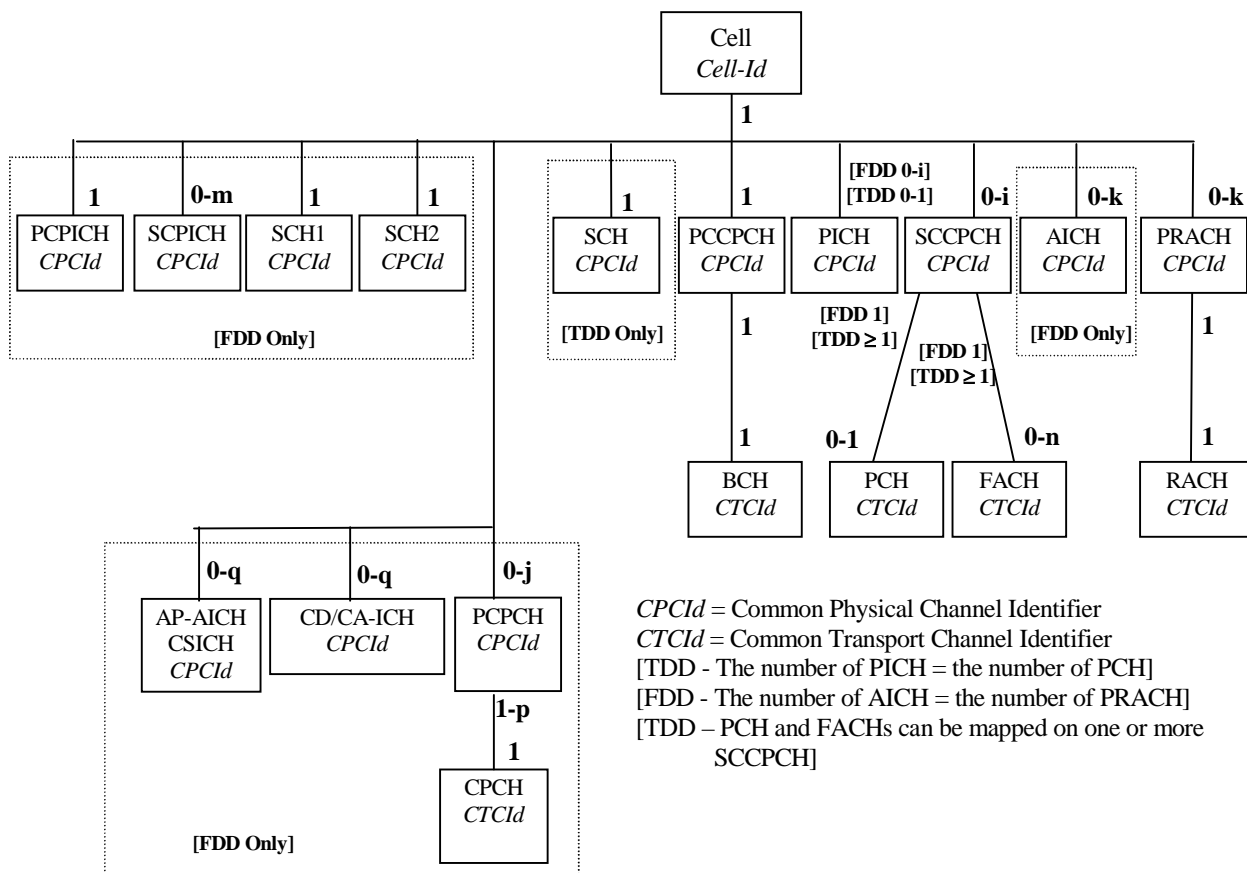
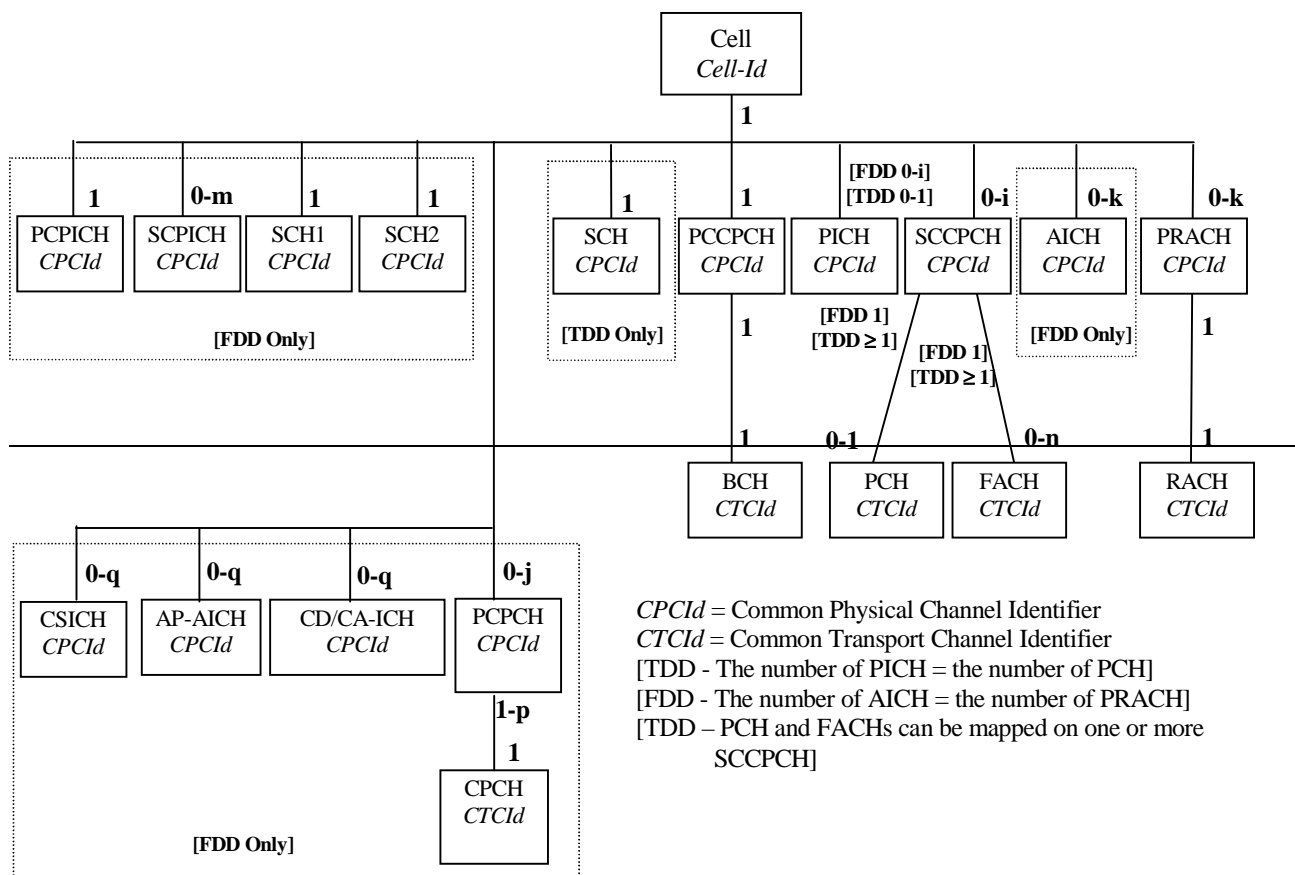


Figure 3: Common resources in a Node B that are managed by the CRNC