

**TSG-RAN Meeting #6
Nice, France, 13 – 15 December 1999**

TSGRP#6(99)620

Title: Agreed CRs of category "D" (Editorial) to TS 25.301

Source: TSG-RAN WG2

Agenda item: 5.2.3

Doc #	Status-	Spec	CR	Rev	Subject	Cat	Versio	Versio
R2-99h76	agreed	25.301	027		Alignment to MAC-c/sh merge	D	3.2.0	3.3.0
R2-99k54	agreed	25.301	030	1	Editorial issues	D	3.2.0	3.3.0

CHANGE REQUEST

Please see embedded help file at the bottom of this page for instructions on how to fill in this form correctly.

25.301 CR 027

Current Version: **3.2.0**

GSM (AA.BB) or 3G (AA.BBB) specification number ↑

↑ CR number as allocated by MCC support team

For submission to: **TSG-RAN #6** for approval
list expected approval meeting # here ↑ for information

strategic
non-strategic (for SMG use only)

Form: CR cover sheet, version 2 for 3GPP and SMG The latest version of this form is available from: ftp://ftp.3gpp.org/Information/CR-Form-v2.doc

Proposed change affects:
(at least one should be marked with an X)

(U)SIM ME UTRAN / Radio Core Network

Source: TSG-RAN WG2

Date: 23.11.1999

Subject: Alignment to MAC-c/sh merge

Work item:

Category:
(only one category shall be marked with an X)
F Correction
A Corresponds to a correction in an earlier release
B Addition of feature
C Functional modification of feature
D Editorial modification

Release:
Phase 2
Release 96
Release 97
Release 98
Release 99
Release 00

Reason for change:

At the RAN WG2 meeting #8 the merge of MAC-c and MAC-sh was decided. This CR contains editorial corrections to 25.301 to make it consistent with the change.

Clauses affected: 5.6.5.3, 5.6.6.3, 5.6.8

Other specs affected:
Other 3G core specifications → List of CRs: 25.301CR026, 25.303CR017, 25.321CR025
Other GSM core specifications → List of CRs:
MS test specifications → List of CRs:
BSS test specifications → List of CRs:
O&M specifications → List of CRs:

Other comments:



help.doc

<----- double-click here for help and instructions on how to create a CR.

5.6.5.3 Model of DSCH in UTRAN

Figure 1 captures the working assumption on the Downlink Shared Channel (DSCH). The two RLCs point to logical channel (DTCH) specific RLC-entities of specific users while MAC refers to the provision of MAC sublayer functions for all users.

The MAC sublayer of a DSCH is split between the Controlling RNC and SRNC. For a given user, the RLC sublayer is terminated in its SRNC. Since Iur can support DSCH data streams, the users on that DSCH can depend on different SRNCs. For a given user, the Controlling RNC and the Serving RNC can be separate RNCs. The MAC in the network takes care of mapping downlink data either to a common channel (FACH, not shown in this figure), DCH or the DSCH.

Figure 1 also includes the DSCH Control Channel, needed for case B of DSCH definition only. See 3GPP TS 25.321 [8] for details on MAC architecture. In this example, the resource allocation on the DSCH is signalled on the DSCH control channel for UE 1 and on the associated DCH for UE 2.

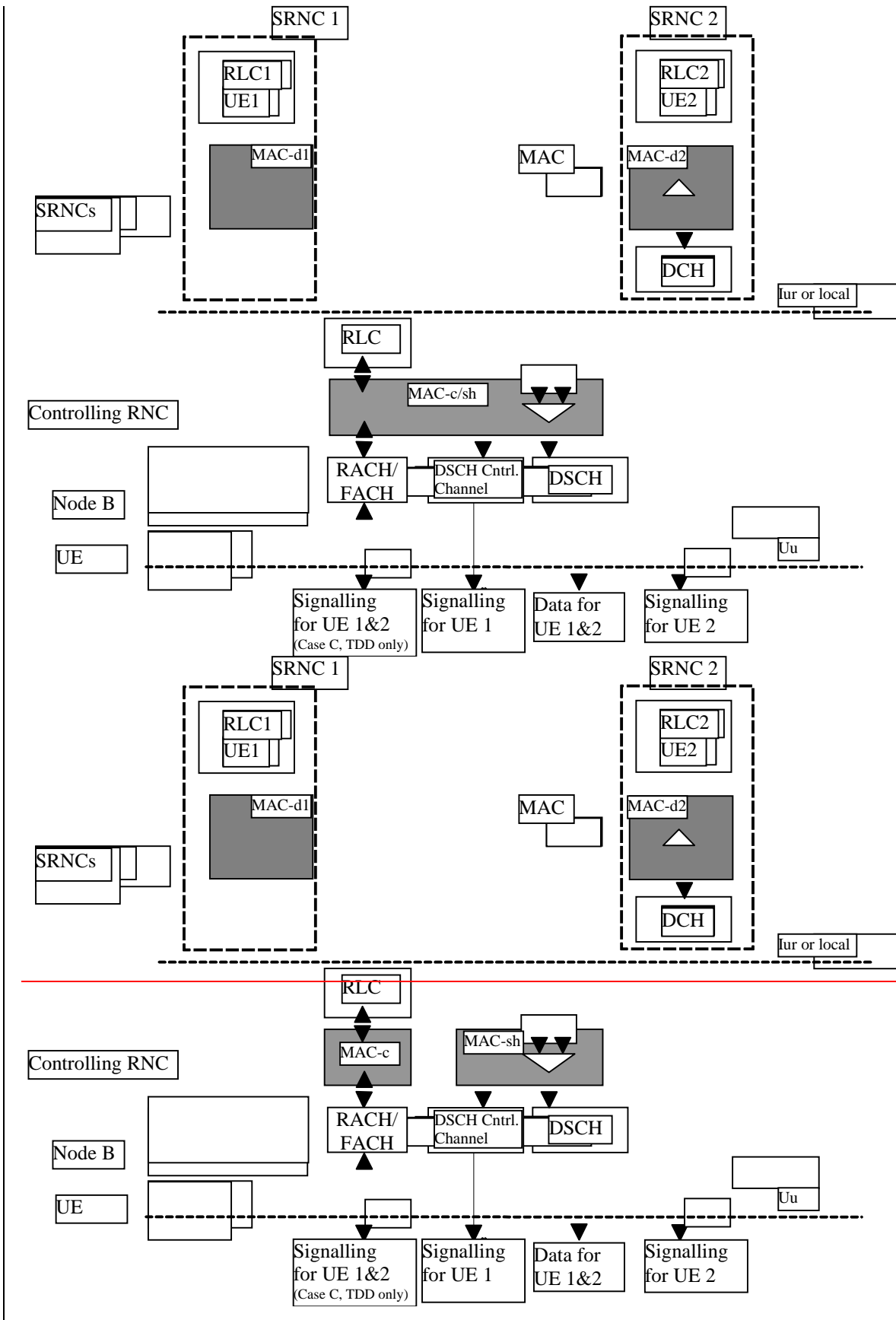


Figure 1: Model of downlink shared channel (DSCH) in UTRAN

5.6.6.3 Model of USCH in UTRAN

Figure 2 captures the working assumption on the Uplink Shared Channel (USCH). The two RLCs point to logical channel (DTCH) specific RLC-entities of specific users while MAC refers to the provision of MAC sublayer functions for all users.

The MAC sublayer of a USCH is split between the Controlling RNC and SRNC. For a given user, the RLC sublayer is terminated in its SRNC. Since Iur can support USCH data streams, the users on that USCH can depend on different SRNCs. For a given user, the Controlling RNC and the Serving RNC can be separate RNCs. The MAC in the network takes care of mapping uplink data either from a common channel (RACH, not shown in this figure), DCH or the USCH.

Allocations of uplink capacity are requested by the UEs and signaled to the UEs on the SHCCH (Shared channel control channel) which is mapped on RACH/FACH.

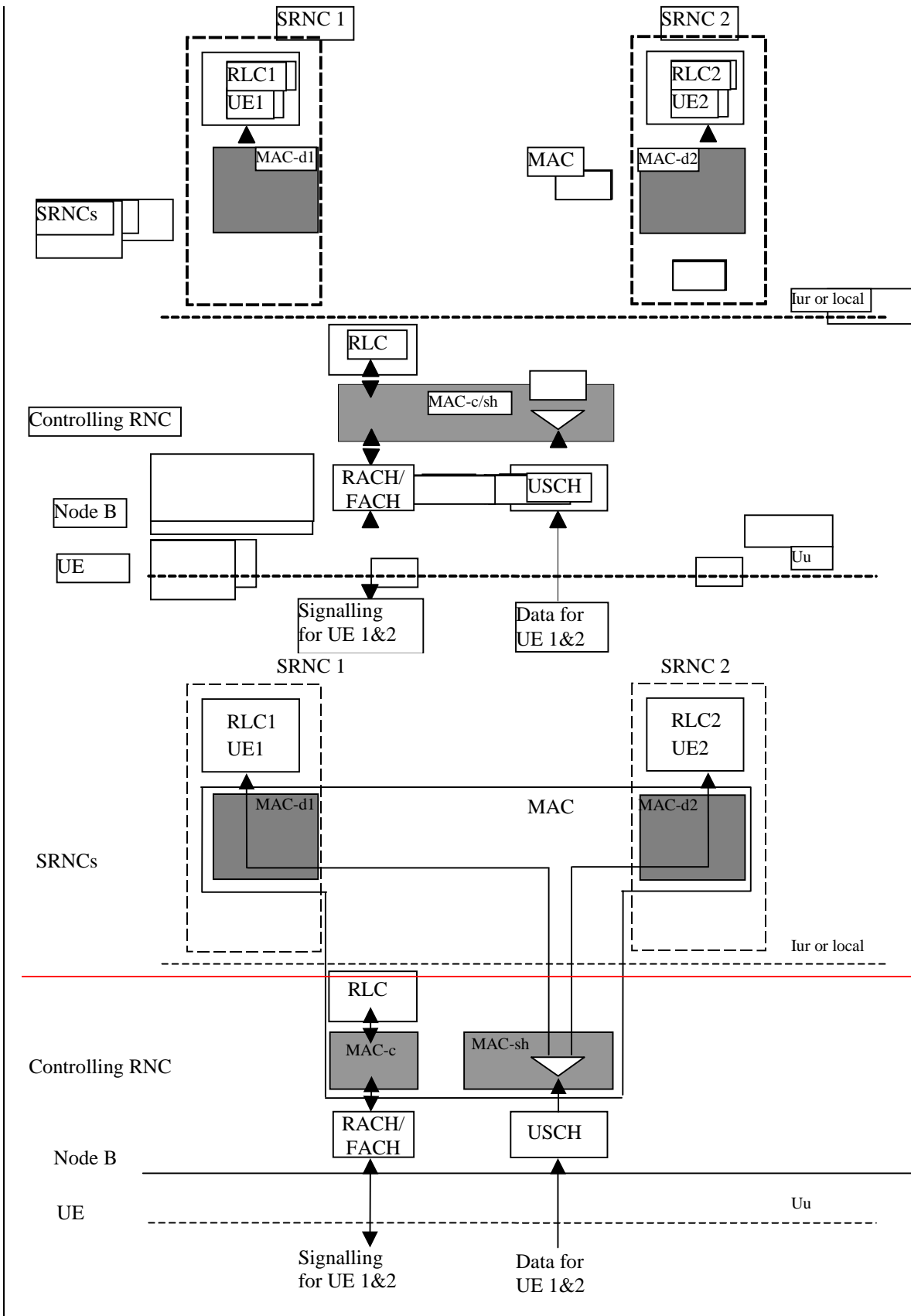


Figure 2: Model of uplink shared channel (USCH) in UTRAN (TDD only)

5.6.8 Protocol termination for transport channel of type PCH

In order to enable coordinated scheduling between PCH and FACH/DSCH the corresponding MAC scheduling functions shall be allocated in the same node ~~(co-location of MAC-p, MAC-e and MAC-sh entities)~~. Both ~~MAC-c/sh and MAC-e are~~ is terminated in CRNC. ~~Consequently, the MAC termination of PCH shall also be in CRNC.~~ A natural implication is that RLC and RRC also are terminated in CRNC.

Note that the RLC sublayer is transparent for this channel.

[Note: Above termination of PCH has been agreed as working assumption. Some WG2 members however requested some more time for further consideration. The above assumption shall be confirmed before or at the next WG2 meeting. The previous solution is kept in the Annex as alternative PCH termination option.]

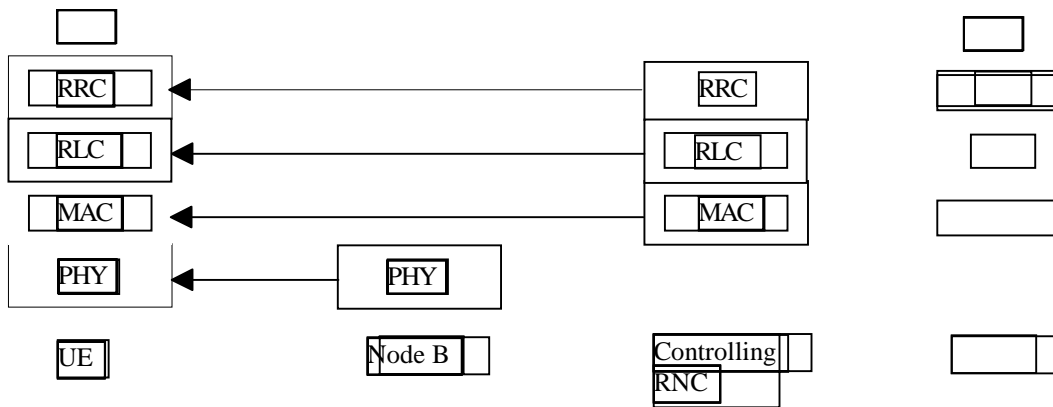


Figure 3: Protocol termination for PCH

3GPP TSG-RAN Meeting #6
Nice, France, 13 - 15 December 1999

Document (R2-99k54)

e.g. for 3GPP use the format TP-99xxx
or for SMG, use the format P-99-xxx

CHANGE REQUEST

Please see embedded help file at the bottom of this page for instructions on how to fill in this form correctly.

25.301 CR 030r1

Current Version: **3.2.0**

GSM (AA.BB) or 3G (AA.BBB) specification number ↑

↑ CR number as allocated by MCC support team

For submission to: **TSG-RAN #6**
list expected approval meeting # here ↑

for approval
for information

strategic
non-strategic (for SMG use only)

Form: CR cover sheet, version 2 for 3GPP and SMG The latest version of this form is available from: ftp://ftp.3gpp.org/Information/CR-Form-v2.doc

Proposed change affects:
(at least one should be marked with an X)

(U)SIM ME UTRAN / Radio Core Network

Source: **TSG-RAN WG2** Date: **1999-12-03**

Subject: **Editorial issues**

Work item:

Category:
(only one category shall be marked with an X)

F Correction
A Corresponds to a correction in an earlier release
B Addition of feature
C Functional modification of feature
D Editorial modification

Release:
Phase 2
Release 96
Release 97
Release 98
Release 99
Release 00

Reason for change: **Editorial corrections, removal of further study items that have been resolved**

Clauses affected:

Other specs affected:

Other 3G core specifications	<input type="checkbox"/>	→ List of CRs:	
Other GSM core specifications	<input type="checkbox"/>	→ List of CRs:	
MS test specifications	<input type="checkbox"/>	→ List of CRs:	
BSS test specifications	<input type="checkbox"/>	→ List of CRs:	
O&M specifications	<input type="checkbox"/>	→ List of CRs:	

Other comments:



<----- double-click here for help and instructions on how to create a CR.

3G TS 25.301 V3.2.0ed (1999-11)

Technical Specificatio

3rd Generation Partnership Project; Technical Specification Group Radio Access Network; Radio Interface Protocol Architecture (3G TS 25.301 version 3.2.0ed)



The present document has been developed within the 3rd Generation Partnership Project (3GPP™) and may be further elaborated for the purposes of 3GPP.

The present document has not been subject to any approval process by the 3GPP Organisational Partners and shall not be implemented.

This Specification is provided for future development work within 3GPP only. The Organisational Partners accept no liability for any use of this Specification.

~~Specifications and reports for implementation of the 3GPP™ system should be obtained via the 3GPP Organisational Partners' Publications Offices.~~

Reference

3TS/TSGR-0225301 U

Keywords

Digital cellular telecommunications system,
Universal Mobile Telecommunication System
(UMTS), UTRA, IMT-2000

3GPP

Postal address

3GPP support office address

650 Route des Lucioles - Sophia Antipolis
Valbonne - FRANCE
Tel.: +33 4 92 94 42 00 Fax: +33 4 93 65 47 16

Internet

<http://www.3gpp.org>

Copyright Notification

No part may be reproduced except as authorized by written permission.
The copyright and the foregoing restriction extend to reproduction in all media.

© 1999, 3GPP Organizational Partners (ARIB, CWTS, ETSI, T1, TTA, TTC).
All rights reserved.

9 Contents

Foreword.....	5
1 Scope	6
2 References	6
3 Definitions and abbreviations.....	7
3.1 Definitions	7
3.2 Abbreviations.....	7
4 Assumed UMTS Architecture	8
5 Radio interface protocol architecture	10
5.1 Overall protocol structure	10
5.1.1 Service access points and service primitives	12
5.2 Layer 1 Services and Functions	13
5.2.1 L1 Services.....	13
5.2.1.1 Transport channels.....	13
5.2.2 L1 Functions.....	14
5.3 Layer 2 Services and Functions	15
5.3.1 MAC Services and Functions.....	15
5.3.1.1 MAC Services to upper layers.....	15
5.3.1.1.1 Logical channels	15
5.3.1.1.2 Mapping between logical channels and transport channels.....	17
5.3.1.2 MAC functions	18
5.3.2 RLC Services and Functions	19
5.3.2.1 Services provided to the upper layer	20
5.3.2.2 RLC Functions.....	20
5.3.3 PDCP Services and Function	21
5.3.3.1 PDCP Services provided to upper layers.....	21
5.3.3.2 PDCP Functions	21
Broadcast/Multicast Control – Services and functions	22
5.3.4.1 BMC Services.....	22
5.3.4.2 BMC Functions	22
5.3.5 Data flows through Layer 2.....	22
5.3.5.1 Data flow for BCCH mapped to BCH	24
5.3.5.2 Data flow for BCCH mapped to FACH.....	24
5.3.5.3 Data flow for PCCH mapped to PCH	24
5.3.5.4 Data flow for SCCH mapped to SCH	25
5.3.5.5 Data flow for CCCH mapped to FACH/RACH	25
5.3.5.6 Data flow for SHCCH mapped to FACH/RACH	25
5.3.5.7 Data flow for DCCH mapped to FACH/RACH.....	25
5.3.5.8 Data flow for DCCH mapped to DSCH	25
5.3.5.9 Data flow for DCCH mapped to USCH	25
5.3.5.10 Data flow for DCCH mapped to CPCH.....	25
5.3.5.11 Data flow for DTCH (non-transparent RLC) mapped to FACH/RACH.....	25
5.3.5.12 Data flow for DTCH (non-transparent RLC) mapped to DSCH.....	25
5.3.5.13 Data flow for DTCH (non-transparent RLC) mapped to USCH.....	26
5.3.5.14 Data flow for DTCH (transparent RLC) mapped to DCH.....	26
5.3.5.15 Data flow for DTCH (non-transparent RLC) mapped to DCH.....	26
5.3.5.16 Data flow for DTCH (non-transparent RLC) mapped to CPCH.....	26
5.3.5.17 Data flow for DCCH mapped to DCH.....	26
5.3.5.18 Data flow for CTCH mapped to FACH.....	26
5.4 Layer 3 – Uu Stratum Services and Functions	26
5.4.1 Uu Stratum services	26
5.4.1.1 General Control	26
5.4.1.2 Notification.....	27
5.4.1.3 Dedicated Control.....	27
5.4.2 RRC functions	28
5.5 Interactions between RRC and lower layers in the C plane	30

5.6	Protocol termination	30
5.6.1	Protocol termination for DCH.....	30
5.6.2	Protocol termination for RACH/FACH.....	31
5.6.3	Protocol termination for FAUSCH.....	33
5.6.4	Protocol termination for CPCH.....	33
5.6.5	Protocol termination for DSCH.....	33
5.6.5.1	DSCH definition.....	33
5.6.5.2	Resource allocation and UE identification on DSCH.....	34
5.6.5.2.1	Case A (UE requires a downlink TFCI on a DPCCH).....	34
5.6.5.2.2	Case C (UE requires a downlink SHCCH) (TDD only).....	35
5.6.5.3	Model of DSCH in UTRAN.....	35
5.6.5.4	Protocol termination	36
5.6.6	Protocol termination for transport channel of type USCH	37
5.6.6.1	USCH definition.....	37
5.6.6.2	Resource allocation and UE identification on USCH.....	38
5.6.6.3	Model of USCH in UTRAN.....	38
5.6.6.4	Protocol termination	39
5.6.7	Protocol termination for transport channel of type BCH.....	40
5.6.8	Protocol termination for transport channel of type PCH.....	40
5.6.9	Protocol termination for transport channel of type SCH.....	41
5.6.10	Protocol termination for ODCH.....	41
5.6.11	Protocol termination for ORACH	41
6	User Identification and RRC Connection Mobility.....	42
6.1	UE identification on the radio interface.....	42
6.2	UE connection to UTRAN.....	43
7	UE modes	43
8	Ciphering	43
8.1	Location of ciphering function in the UTRAN protocol architecture	43
8.2	Input parameters to the ciphering algorithm	44
8.2.1	Overview.....	44
8.2.2	Ciphering algorithms parameters.....	44
8.2.2.1	COUNT	44
8.2.2.2	Ciphering key, CK.....	45
8.2.2.3	BEARER	45
8.2.2.4	Direction.....	45
8.2.2.5	Length.....	45
	Annex A (informative): Protocol termination	46
A.1	Alternative protocol termination for DCH.....	46
A.2	Protocol termination for RACH/FACH	46
	Annex B (informative): Change history	49
	History	50

Foreword

This Technical Specification has been produced by the 3GPP.

The contents of the present document are subject to continuing work within the TSG and may change following formal TSG approval. Should the TSG modify the contents of this TS, it will be re-released by the TSG with an identifying change of release date and an increase in version number as follows:

Version x.y.z

where:

- x the first digit:
 - 1 presented to TSG for information;
 - 2 presented to TSG for approval;
 - 3 Indicates TSG approved document under change control.
- y the second digit is incremented for all changes of substance, i.e. technical enhancements, corrections, updates, etc.
- z the third digit is incremented when editorial only changes have been incorporated in the document.

1 Scope

The present document shall provide an overview and overall description of the UE-UTRAN radio interface protocol architecture as agreed within the 3GPP TSG RAN working group 2. Details of the radio protocols will be specified in companion documents.

The features and functions described in this document generally shall be supported by UMTS Release 99. However, some specific logical channels and transport channels which initially were considered for Release 99, but which were deferred to a future UMTS release, have been kept in this specification.

The channels which are not considered for Release 99 are listed as follows:

- Fast Uplink Signalling Channel (FAUSCH)
- ODMA Random Access Channel (ORACH)
- ODMA Dedicated Channel (ODCH)
- ODMA Common Control Channel (OCCCH)
- ODMA Dedicated Control Channel (ODCCH)
- ODMA Dedicated Traffic Channel (ODTCH)

2 References

The following documents contain provisions which, through reference in this text, constitute provisions of the present document.

- References are either specific (identified by date of publication, edition number, version number, etc.) or non-specific.
- For a specific reference, subsequent revisions do not apply.
- For a non-specific reference, the latest version applies.

- [1] 3G TS 23.110: "UMTS Access Stratum; Services and Functions"
- [2] 3G TS 25.401: "RAN Overall Description"
- [3] 3G TR 25.990: "Vocabulary for the UTRAN"
- [4] 3G TS 25.302: "Services provided by the Physical Layer"
- [5] 3G TS 25.303: "Interlayer Procedures in Connected Mode"
- [6] 3G TS 25.304: "UE Procedures in Idle Mode"
- [7] 3G TS 25.321: "MAC Protocol Specification"
- [8] 3G TS 25.322: "RLC Protocol Specification"
- [9] 3G TS 25.323: "PDCP Protocol Specification"
- [10] 3G TS 25.324: "BMC Protocol Specification"
- [119] 3G TS 25.331: "RRC Protocol Specification"
- [120] 3G TS 25.224: "Physical Layer Procedures (TDD)"
- [13] 3G TS xxxxx: ""
- [14] 3G TS 33.105: "Cryptographic Algorithm Requirements"
- [15] 3G TS 33.102: "Security Architecture"

3 Definitions and abbreviations

3.1 Definitions

For the purposes of the present document, the terms and definitions given in [3] apply.

3.2 Abbreviations

For the purposes of the present document, the following abbreviations apply:

ARQ	Automatic Repeat Request
ASC	Access Service Class
BCCH	Broadcast Control Channel
BCH	Broadcast Channel
BMC	Broadcast/Multicast Control
C-	Control-
CC	Call Control
CCCH	Common Control Channel
CCH	Control Channel
CCTrCH	Coded Composite Transport Channel
CN	Core Network
CPOCH	Common Packet channel
CRC	Cyclic Redundancy Check
CTCH	Common Traffic Channel
DC	Dedicated Control (SAP)
DCA	Dynamic Channel Allocation
DCCH	Dedicated Control Channel
DCH	Dedicated Channel
DL	Downlink
DRNC	Drift Radio Network Controller
DSCH	Downlink Shared Channel
DTCH	Dedicated Traffic Channel
FACH	Forward Link Access Channel
FAUSCH	Fast Uplink Signalling Channel
FCS	Frame Check Sequence
FDD	Frequency Division Duplex
GC	General Control (SAP)
HO	Handover
ITU	International Telecommunication Union
kbps	kilo-bits per second
L1	Layer 1 (physical layer)
L2	Layer 2 (data link layer)
L3	Layer 3 (network layer)
LAC	Link Access Control
LAI	Location Area Identity
MAC	Medium Access Control
MM	Mobility Management
Nt	Notification (SAP)
OCCCH	ODMA Common Control Channel
ODCCH	ODMA Dedicated Control Channel
ODCH	ODMA Dedicated Channel
ODMA	Opportunity Driven Multiple Access
ORACH	ODMA Random Access Channel
ODTCH	ODMA Dedicated Traffic Channel
PCCH	Paging Control Channel
PCH	Paging Channel
PDCP	Packet Data Convergence Protocol
PDU	Protocol Data Unit
<u>PHY</u>	<u>Physical layer</u>

PU	Payload Unit
PHY	Physical layer
PhyCH	Physical Channels
RAB	Radio Access Bearer
RACH	Random Access Channel
RB	Radio Bearer
RLC	Radio Link Control
RNC	Radio Network Controller
RNS	Radio Network Subsystem
RNTI	Radio Network Temporary Identity
RRC	Radio Resource Control
SAP	Service Access Point
SCCH	Synchronization Control Channel
SCH	Synchronization Channel
SDU	Service Data Unit
SHCCH	Shared Channel Control Channel
SRNC	Serving Radio Network Controller
SRNS	Serving Radio Network Subsystem
TCH	Traffic Channel
TDD	Time Division Duplex
TFCI	Transport Format Combination Indicator
TFI	Transport Format Indicator
TMSI	Temporary Mobile Subscriber Identity
TPC	Transmit Power Control
U-	User-
UE	User Equipment
UE _R	User Equipment with ODMA relay operation enabled
UL	Uplink
UMTS	Universal Mobile Telecommunications System
URA	UTRAN Registration Area
USCH	Uplink Shared Channel
UTRA	UMTS Terrestrial Radio Access
UTRAN	UMTS Terrestrial Radio Access Network

4 Assumed UMTS Architecture

Figure 1 shows the assumed UMTS architecture as outlined in TS 23.110 [1]. The figure shows the UMTS architecture in terms of its entities User Equipment (UE), UTRAN and Core Network. The respective reference points Uu (Radio Interface) and Iu (CN-UTRAN interface) are shown. The figure illustrates furthermore the high-level functional grouping into the Access Stratum and the Non-Access Stratum.

The Access Stratum offers services through the following Service Access Points (SAP) to the Non-Access Stratum:

- General Control (GC) SAPs,
- Notification (Nt) SAPs and
- Dedicated Control (DC) SAPs

The SAPs are marked with circles in Figure 1.

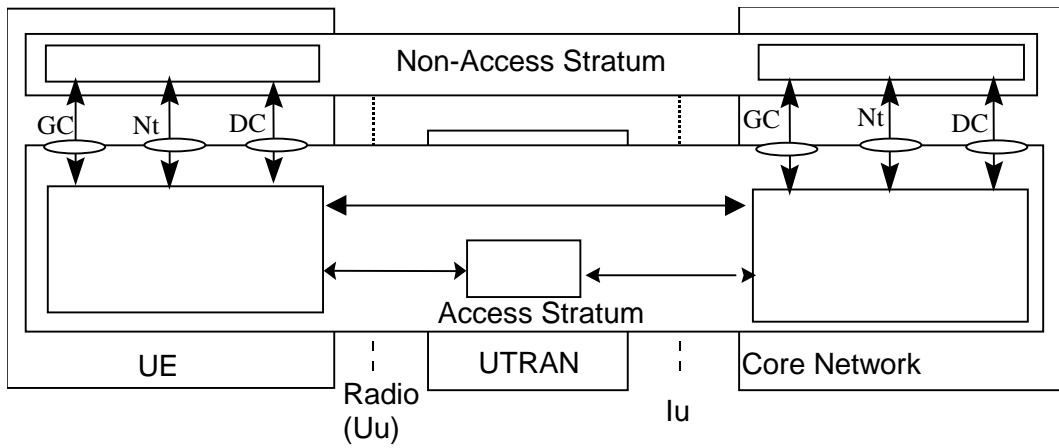


Figure 1: Assumed UMTS Architecture

This model can be further refined to distinguish the end AS entities, which provide the services to higher layers, from the local entities, which provide services over respectively the Uu and the Iu reference point. Figure 1b presents the refined model.

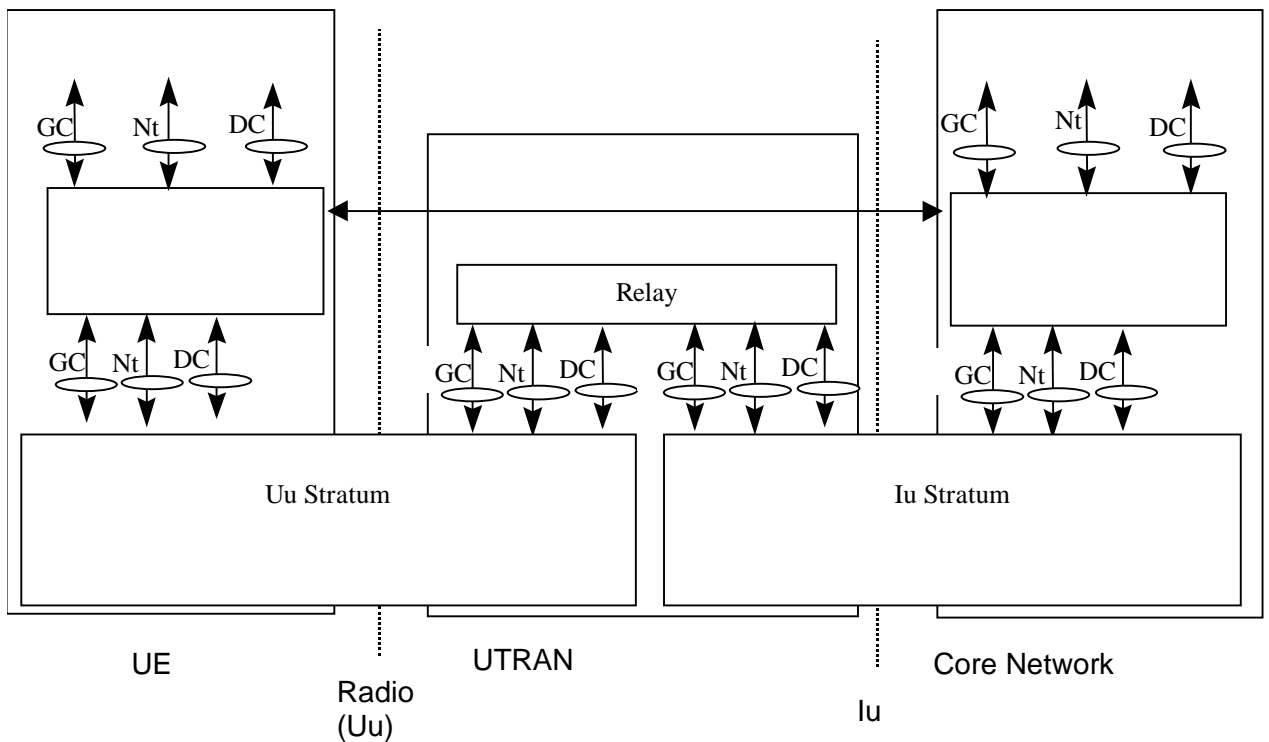


Figure 1b: Assumed UTRAN Model

The Uu Stratum block can be further refined as shown in Figure 1c:

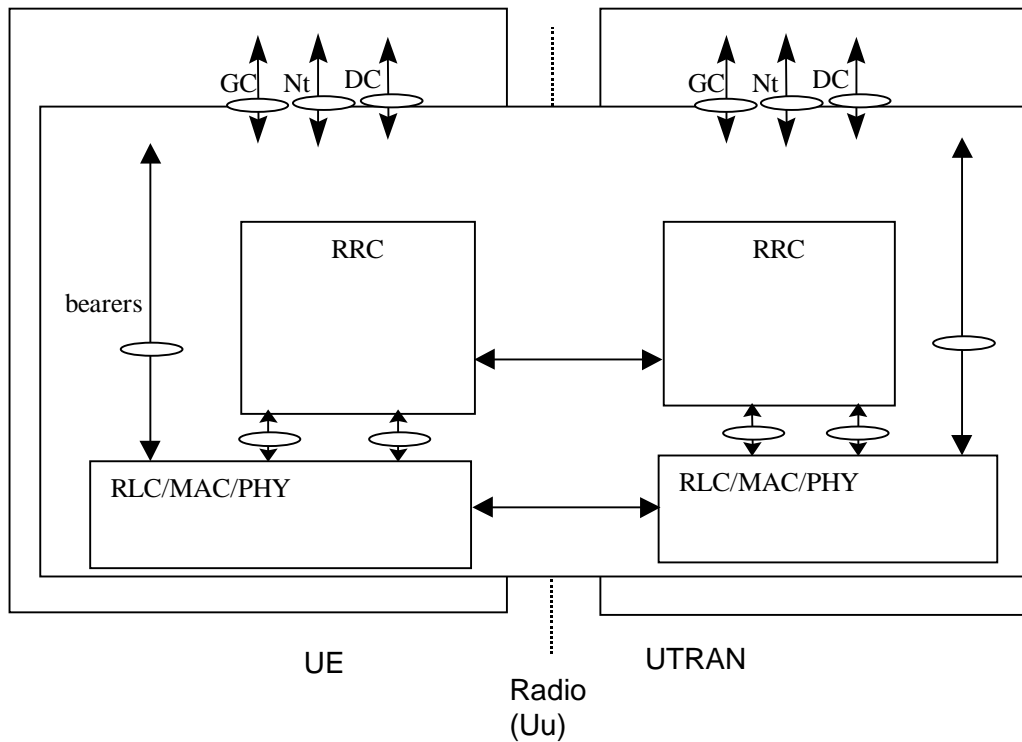


Figure 1c: Assumed Uu Stratum Model

5 Radio interface protocol architecture

5.1 Overall protocol structure

The radio interface is layered into three protocol layers:

- the physical layer (L1),
- the data link layer (L2),
- network layer (L3).

Layer 2 is split into following sublayers: Medium Access Control (MAC), Radio Link Control (RLC), Packet Data Convergence Protocol (PDCP) and Broadcast/Multicast Control (BMC).

Layer 3 and RLC are divided into Control (C-) and User (U-) planes. PDCP and BMC exist in the U-plane only.

In the C-plane, Layer 3 is partitioned into sublayers where the lowest sublayer, denoted as Radio Resource Control (RRC), interfaces with layer 2 and terminates in the UTRAN. **The next sublayer, denoted provides 'Duplication avoidance' functionality as specified in [TBD13]**, terminates in the CN but is part of the Access Stratum; it provides the Access Stratum Services to higher layers. The higher layer signalling such as Mobility Management (MM) and Call Control (CC) are assumed to belong to the non-access stratum, and therefore not in the scope of 3GPP TSG RAN. On the general level, the protocol architecture is similar to the current ITU-R protocol architecture, ITU-R M.1035.

Figure 2 shows the radio interface protocol architecture. Each block in Figure 2 represents an instance of the respective protocol. Service Access Points (SAP) for peer-to-peer communication are marked with circles at the interface between sublayers. The SAP between MAC and the physical layer provides the transport channels (cf. Section 5.2.1.1). The SAPs between RLC and the MAC sublayer provide the logical channels (cf. Section 5.3.1.1.1). In the C-plane, the interface between 'Duplication avoidance' and higher L3 sublayers (CC, MM) is defined by the General Control (GC), Notification (Nt) and Dedicated Control (DC) SAPs.

Also shown in the figure are connections between RRC and MAC as well as RRC and L1 providing local inter-layer control services. An equivalent control interface exists between RRC and the RLC sublayer, between RRC and the PDCP sublayer and between RRC and BMC sublayer. These interfaces allow the RRC to control the configuration of the lower layers. For this purpose separate Control SAPs are defined between RRC and each lower layer (PDCP, RLC, MAC, and L1). **It is assumed that for RLC and MAC one Control SAP each is provided per UE.**

NOTE: — Control of RLC entities in C and U planes needs to be clarified further. Also, the multiplicity of Control SAPs (necessity of one SAP per UE) at the UTRAN side may need to be reconsidered.

The RLC sublayer provides ARQ functionality closely coupled with the radio transmission technique used. There is no difference between RLC instances in C and U planes.

The UTRAN can be requested by the CN to prevent all loss of data (i.e. independently of the handovers on the radio interface), as long as the Iu connection point is not modified. This is a basic requirement to be fulfilled by the UTRAN retransmission functionality as provided by the RLC sublayer.

However, in case of the Iu connection point is changed (e.g. SRNS relocation, streamlining), the prevention of the loss of data may not be guaranteed autonomously by the UTRAN but relies on **some functions in the 'Duplication avoidance' layerfunctions in the CN.** **Such mechanisms to protect from data loss due to SRNS relocation or streamlining are for further study.**

NOTE: — Such mechanisms need to be specified jointly with 3GPP TSGs CN and SA. The implied functionality would be applied in the U plane. Applicability in the C plane is for further study.

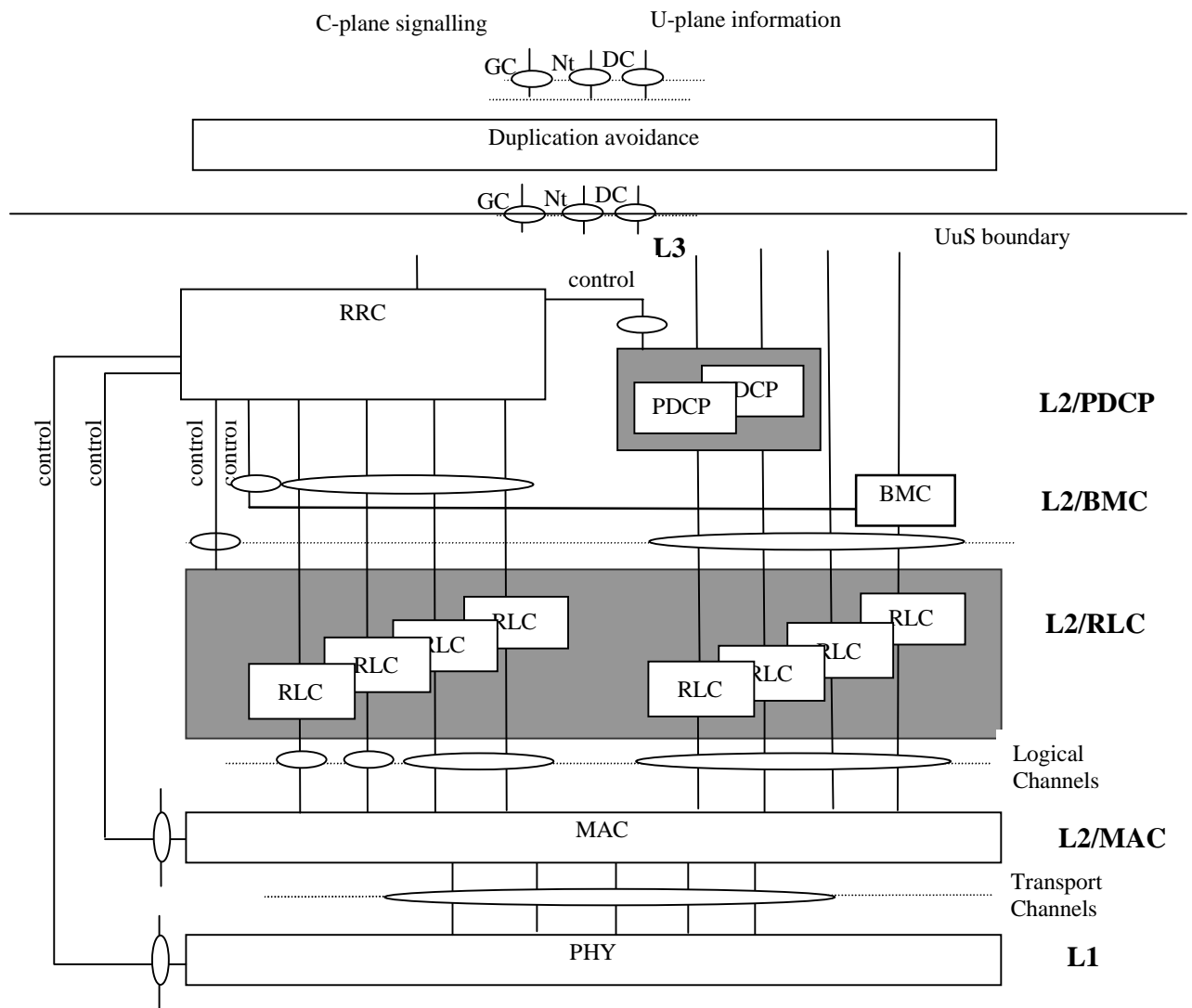


Figure 2: Radio Interface protocol architecture (Service Access Points marked by circles)

5.1.1 Service access points and service primitives

Each layer provides services at Service Access Points (SAPs). A service is defined by a set of service primitives (operations) that a layer provides to upper layer(s).

Control services, allowing the RRC layer to control lower layers locally (i.e. not requiring peer-to-peer communication) are provided at Control SAPs (C-SAP). Note that C-SAP primitives can bypass one or more sublayers, see Figure 2.

In the radio interface protocol specifications, the following naming conventions for primitives shall be applicable:

- Primitives provided by SAPs between adjacent layers shall be prefixed with the name of the service-providing layer, i.e. PHY, MAC, RLC, PDCP, BMC or UUS.
- Primitives provided by SAPs to an application shall be prefixed with the name of the service-providing layer, i.e. RRC.
- Primitives provided by Control SAPs, in addition to the name of the service-providing layer, shall be prefixed with a "C", i.e. CPHY, CMAC, CRLC, ~~CPDCP~~, or CBMC.

This principle leads to the following notations, where <Type> corresponds to request, indication, response or confirm type of primitives:

Primitives between PHY and MAC:

PHY- <Generic name> – <Type>

Primitives between PHY and RRC (over C-SAP):

CPHY- <Generic name> - <Type>

Primitives between MAC and RLC:

MAC- <Generic name> - <Type>

Primitives between MAC and RRC (over C-SAP):

CMAC- <Generic name> - <Type>

Primitives between RLC and upper layers, between RLC and RRC for data transfer and between RLC and PDCP:

RLC- <Generic name> - <Type>

Primitives between RLC and RRC for control of RLC (over C-SAP):

CRLC- <Generic name> – <Type>

Primitives above Uu Stratum:

UUS- <Generic name> – <Type>

Primitives between PDCP and non-access stratum:

PDCP- <Generic name> - <Type>

Primitives between PDCP and RRC (over C-SAP):

CPDCP- <Generic name> - <Type>

Primitives between BMC and upper layer:

BMC- <Generic name> – <Type>

Primitives between BMC and RRC for control of BMC (over C-SAP):

CBMC- <Generic name> – <Type>

In this model, some UUS primitives map directly to RLC primitives without intervening function.

5.2 Layer 1 Services and Functions

This section shall provide an overview on services and functions provided by the physical layer. A detailed description of Layer 1 general requirements can be found in 3GPP TS 25.302 [4].

5.2.1 L1 Services

The physical layer offers information transfer services to MAC and higher layers. The physical layer transport services are described by *how* and with what characteristics data are transferred over the radio interface. An adequate term for this is 'Transport Channel'.

NOTE: This should be clearly separated from the classification of *what* is transported, which relates to the concept of logical channels. Thus DCH is used to denote that the physical layer offers the same type of service for both control and traffic.

5.2.1.1 Transport channels

A general classification of transport channels is into two groups:

- common transport channels (where there is a need for inband identification of the UEs when particular UEs are addressed) and
- dedicated transport channels (where the UEs are identified by the physical channel, i.e. code and frequency for FDD and code, time slot and frequency for TDD).

Common transport channel types are (a more detailed description can be found in [4]):

- **Random Access Channel (RACH)**

A contention based uplink channel used for transmission of relatively small amount of data, e.g. for initial access or non-real-time dedicated control or traffic data.

- **ODMA Random Access Channel (ORACH)**

A contention based channel used in relay link.

- **Common Packet Channel (CPCH)**

A contention based channel used for transmission of bursty data traffic. This channel only exists in FDD mode and only in the uplink direction. The common packet channel is shared by the UEs in a cell and therefore, it is a common resource. The CPCH is fast power controlled.

- **Forward Access Channel (FACH)**

Common downlink channel without closed-loop power control used for transmission of relatively small amount of data.

- **Downlink Shared Channel (DSCH)**

A downlink channel shared by several UEs carrying dedicated control or traffic data.

- ~~**DSCH Control Channel**~~

~~A downlink channel associated with a DSCH used for signalling of DSCH resource allocation.~~

NOTE: It is for further study whether or not the DSCH Control Channel needs to be regarded as separate transport channel type from FACH. Seen from the upper layers, the current requirements are identical to a FACH, but some extra L1 information (e.g. TPC bits) may lead to a different physical channel. See Section 5.6.5 for a description of the DSCH concepts currently considered in TSG RAN WG2. This section also includes further notes on ffs. items related to the DSCH.

- **Uplink Shared Channel (USCH)**

An uplink channel shared by several UEs carrying dedicated control or traffic data, used in TDD mode only.

- **Broadcast Channel (BCH)**

A downlink channel used for broadcast of system information into an entire cell.

- **Synchronization Channel (SCH)**

A downlink channel used for broadcast of synchronization information into an entire cell in TDD mode.

NOTE: The SCH transport channel is defined for the TDD mode only. In the FDD mode, a synchronization channel is defined as a physical channel. This channel however should not be confused with the SCH transport channel defined above.

- **Paging Channel (PCH)**

A downlink channel used for broadcast of control information into an entire cell allowing efficient UE sleep mode procedures. Currently identified information types are paging and notification. Another use could be UTRAN notification of change of BCCH information.

Dedicated transport channel types are:

- **Dedicated Channel (DCH)**

A channel dedicated to one UE used in uplink or downlink.

- **Fast Uplink Signalling Channel (FAUSCH)**

An uplink channel used to allocate dedicated channels in conjunction with FACH.

- **ODMA Dedicated Channel (ODCH)**

A channel dedicated to one UE used in relay link.

To each transport channel (except for the FAUSCH, since it only conveys a reservation request), there is an associated Transport Format (for transport channels with a fixed or slow changing rate) or an associated Transport Format Set (for transport channels with fast changing rate). A Transport Format is defined as a combination of encodings, interleaving, bit rate and mapping onto physical channels (see 3GPP TS 25.302 [4] for details). A Transport Format Set is a set of Transport Formats. E.g., a variable rate DCH has a Transport Format Set (one Transport Format for each rate), whereas a fixed rate DCH has a single Transport Format.

5.2.2 L1 Functions

The physical layer performs the following main functions:

- Macrodiversity distribution/combining and soft handover execution
- Error detection on transport channels and indication to higher layers
- FEC encoding/decoding and interleaving/deinterleaving of transport channels
- Multiplexing of transport channels and demultiplexing of coded composite transport channels
- Rate matching
- Mapping of coded composite transport channels on physical channels
- Power weighting and combining of physical channels
- Modulation and spreading/demodulation and despreading of physical channels
- Frequency and time (chip, bit, slot, frame) synchronization
- Measurements and indication to higher layers (e.g. FER, SIR, interference power, transmit power, etc.)
- Closed-loop power control
- RF processing

- Support of timing advance on uplink channels (TDD only)
- Support of Uplink Synchronization as defined in [120] (TDD only)

5.3 Layer 2 Services and Functions

5.3.1 MAC Services and Functions

This sections provides an overview on services and functions provided by the MAC sublayer. A detailed description of the MAC protocol is given in 3GPP TS 25.321 [7].

5.3.1.1 MAC Services to upper layers

- **Data transfer.** This service provides unacknowledged transfer of MAC SDUs between peer MAC entities. This service does not provide any data segmentation. Therefore, segmentation/reassembly function should be achieved by upper layer.
- **Reallocation of radio resources and MAC parameters.** This service performs on request of RRC execution of radio resource reallocation and change of MAC parameters, i.e. reconfiguration of MAC functions such as change of identity of UE, change of transport format (combination) sets, change of transport channel type. In TDD mode, in addition, resource allocation can be handled by the MAC autonomously.
- **Reporting of measurements.** Local measurements such as traffic volume and, quality indication, ~~MAC status indication, [other MAC measurements tbd.]~~, are reported to RRC.

~~The following potential services are regarded as further study items:~~

~~— Allocation/deallocation of radio resources. Indication to RRC that allocation/deallocation of a MAC bearer is required. In TDD mode, resource allocation can alternatively be performed by the MAC autonomously.~~

5.3.1.1.1 Logical channels

The MAC layer provides data transfer services on logical channels. A set of logical channel types is defined for different kinds of data transfer services as offered by MAC. Each logical channel type is defined by what type of information is transferred.

A general classification of logical channels is into two groups:

- Control Channels (for the transfer of control plane information)
- Traffic Channels (for the transfer of user plane information)

The configuration of logical channel types is depicted in Figure 3.

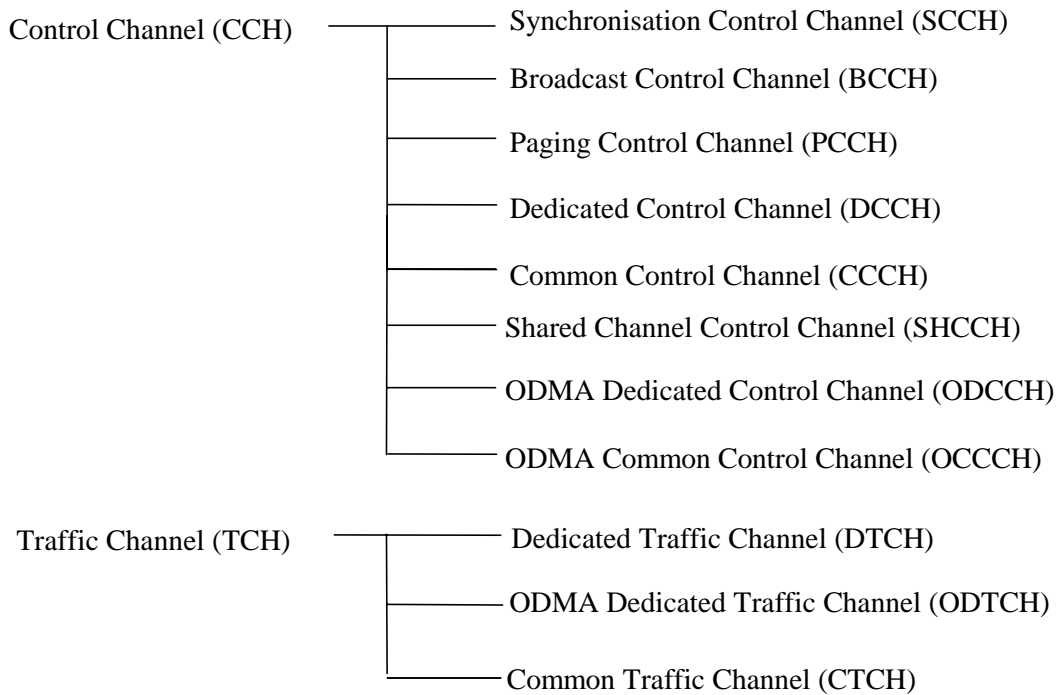


Figure 3: Logical channel structure

Control Channels

Control channels are used for transfer of control plane information only.

Synchronisation Control Channel (SCCH)

A downlink channel for broadcasting synchronisation information (information about the location and structure of the BCCH) in case of TDD operation.

Broadcast Control Channel (BCCH)

A downlink channel for broadcasting system control information. ~~The BCCH may be further divided into two types, BCCH Constant (BCCH-C) and BCCH Variable (BCCH-V). BCCH-C would then transmit relatively many layer 3 information elements, which do not change, except for change of system information. BCCH-V would transmit layer 3 information elements which change frequently and which a UE has to receive in short time (e.g. downlink power level, uplink interference level, etc).~~ ~~The split of BCCH is ffs.~~

Paging Control Channel (PCCH)

A downlink channel that transfers paging information. This channel is used when the network does not know the location cell of the UE, or, the UE is in the cell connected state (utilizing UE sleep mode procedures).

Common Control Channel (CCCH)

Bi-directional channel for transmitting control information between network and UEs. This channel is commonly used by the UEs having no RRC connection with the network and by the UEs using common transport channels when accessing a new cell after cell reselection.

Dedicated Control Channel (DCCH)

A point-to-point bi-directional channel that transmits dedicated control information between a UE and the network. This channel is established through RRC connection setup procedure.

Shared Channel Control Channel (SHCCH)

Bi-directional channel that transmits control information for uplink and downlink shared channels between network and UEs. This channel is for TDD only.

ODMA Common Control Channel (OCCCH)

Bi-directional channel for transmitting control information between UEs.

ODMA Dedicated Control Channel (ODCCH)

A point-to-point bi-directional channel that transmits dedicated control information between UEs. This channel is established through RRC connection setup procedure.

Traffic Channels

Traffic channels are used for the transfer of user plane information only.

Dedicated Traffic Channel (DTCH)

A Dedicated Traffic Channel (DTCH) is a point-to-point channel, dedicated to one UE, for the transfer of user information. A DTCH can exist in both uplink and downlink.

ODMA Dedicated Traffic Channel (ODTCH)

A ODMA Dedicated Traffic Channel (ODTCH) is a point-to-point channel, dedicated to one UE, for the transfer of user information between UEs. A ODTCH exists in relay link.

Common Traffic Channel (CTCH)

A point-to-multipoint unidirectional channel for transfer of dedicated user information for all or a group of specified UEs.

NOTE: — This channel type is agreed for support of Short Message Service Cell Broadcast. Whether or not this logical channel shall also be employed for support of high rate multicast services is ffs.

5.3.1.1.2 Mapping between logical channels and transport channels

The following connections between logical channels and transport channels exist:

- SCCH is connected to SCH
- BCCH is connected to BCH and may also be connected to FACH
- PCCH is connected to PCH
- CCCH is connected to RACH and FACH
- SHCCH is connected to RACH and FACH
- DTCH can be connected to either RACH and FACH, to RACH and DSCH, to DCH and DSCH, to a DCH, a CPCH (FDD only) or to USCH (TDD only)
- CTCH is connected to FACH. **Whether it can be connected to DSCH or BCH is ffs.**
- DCCH can be connected to either RACH and FACH, to RACH and DSCH, to DCH and DSCH, to a DCH, a CPCH (FDD only) to FAUSCH, CPCH (FDD only), or to USCH (TDD only).

The mappings as seen from the UE and UTRAN sides are shown in Figure 4 and Figure 5 respectively. Figure 6 illustrates the mapping from the UE in relay operation. Note that ODMA logical channels and transport channels are employed only in relay link transmissions (i.e. not used for uplink or downlink transmissions on the UE-UTRAN radio interface).

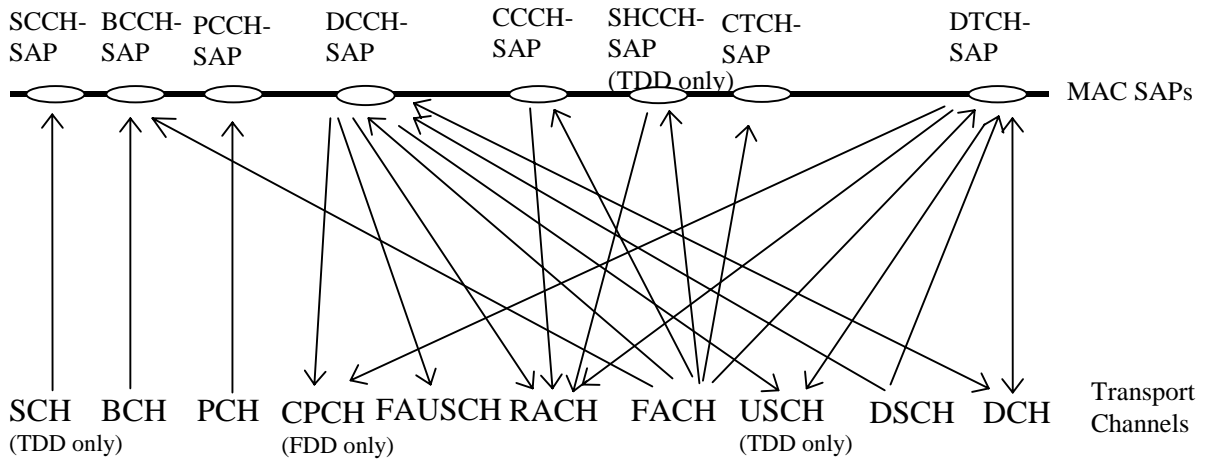


Figure 4: Logical channels mapped onto transport channels, seen from the UE side

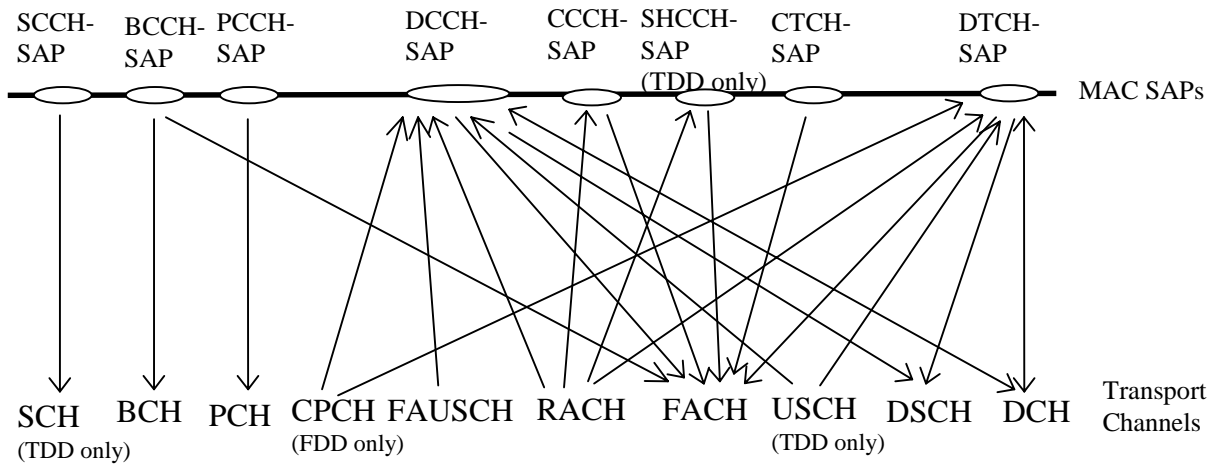


Figure 5: Logical channels mapped onto transport channels, seen from the UTRAN side

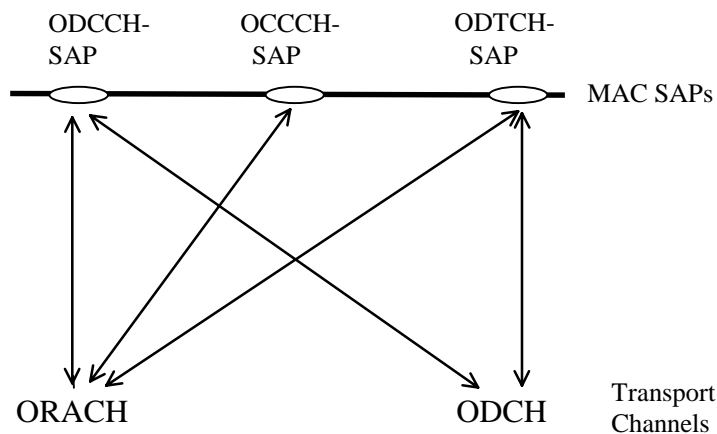


Figure 6: Logical channels mapped onto transport channels, seen from the UE side (relay only)

5.3.1.2 MAC functions

The functions of MAC include:

- **Mapping between logical channels and transport channels.** The MAC is responsible for mapping of logical channel(s) onto the appropriate transport channel(s).

- **Selection of appropriate Transport Format for each Transport Channel depending on instantaneous source rate.** Given the Transport Format Combination Set assigned by RRC, MAC selects the appropriate transport format within an assigned transport format set for each active transport channel depending on source rate. The control of transport formats ensures efficient use of transport channels.
 - **Priority handling between data flows of one UE.** When selecting between the Transport Format Combinations in the given Transport Format Combination Set, priorities of the data flows to be mapped onto the corresponding Transport Channels can be taken into account. Priorities are e.g. given by attributes of R_{radio access}B_{bearer} services and RLC buffer status. The priority handling is achieved by selecting a Transport Format Combination for which high priority data is mapped onto L1 with a "high bit rate" Transport Format, at the same time letting lower priority data be mapped with a "low bit rate" (could be zero bit rate) Transport Format. Transport format selection may also take into account transmit power indication from Layer 1.
 - **Priority handling between UEs by means of dynamic scheduling.** In order to utilize the spectrum resources efficiently for bursty transfer, a dynamic scheduling function may be applied. Priority handling on common and shared transport channels is realized by MAC. Note that for dedicated transport channels, the equivalent of the dynamic scheduling function is implicitly included as part of the reconfiguration function of the RRC sublayer. **For TDD it is regarded as further study item.**
- NOTE: In the TDD mode the data to be transported are represented in terms of sets of resource units.
- **Identification of UEs on common transport channels.** When a particular UE is addressed on a common downlink channel, or when a UE is using the RACH, there is a need for inband identification of the UE. Since the MAC layer handles the access to, and multiplexing onto, the transport channels, the identification functionality is naturally also placed in MAC.
 - **Multiplexing/demultiplexing of higher layer PDUs into/from transport blocks delivered to/from the physical layer on common transport channels.** MAC should support service multiplexing for common transport channels, since the physical layer does not support multiplexing of these channels.
 - **Multiplexing/demultiplexing of higher layer PDUs into/from transport block sets delivered to/from the physical layer on dedicated transport channels.** The MAC allows service multiplexing for dedicated transport channels. This function can be utilized when several upper layer services (e.g. RLC instances) can be mapped efficiently on the same transport channel. In this case the identification of multiplexing is contained in the MAC protocol control information.
 - **Traffic volume monitoring.** Measurement of traffic volume on logical channels and reporting to RRC. Based on the reported traffic volume information, RRC performs transport channel switching decisions.
 - **Dynamic Transport Channel type switching.** Execution of the switching between common and dedicated transport channels based on a switching decision derived by RRC.
 - **Ciphering.** This function prevents unauthorized acquisition of data. Ciphering is performed in the MAC layer for transparent RLC mode.
 - **Access Service Class selection for RACH transmission.** The RACH resources (i.e. access slots and preamble signatures for FDD, timeslot and channelisation code for TDD) may be divided between different Access Service Classes in order to provide different priorities of RACH usage. In addition it is possible for more than one ASC or for all ASCs to be assigned to the same access slot/signature space. Each access service class will also have a set of back-off parameters associated with it, some or all of which may be broadcast by the network. The MAC function applies the appropriate back-off and indicates to the PHY layer the RACH partition associated to a given MAC PDU transfer.

~~The following potential functions are regarded as further study items:~~

~~— **Successive Transmission on RACH.** This function is needed when the mobile station continues to transmit the succeeding (second or more) radio frames because the message length is longer than a radio frame.~~

~~NOTE: — This function requires further clarification. Contributions are invited.~~

5.3.2 RLC Services and Functions

This section provides an overview on services and functions provided by the RLC sublayer. A detailed description of the RLC protocol is given in 3GPP TS 25.322 [8].

5.3.2.1 Services provided to the upper layer

- **RLC connection establishment/release.** This service performs establishment/release of RLC connections.
- **Transparent data transfer.** This service transmits higher layer PDUs without adding any protocol information, possibly including segmentation/reassembly functionality.
- **Unacknowledged data transfer.** This service transmits higher layer PDUs without guaranteeing delivery to the peer entity. The unacknowledged data transfer mode has the following characteristics:
 - Detection of erroneous data: The RLC sublayer shall deliver only those SDUs to the receiving higher layer that are free of transmission errors by using the sequence-number check function.
 - Unique delivery: The RLC sublayer shall deliver each SDU only once to the receiving upper layer using duplication detection function.
 - Immediate delivery: The receiving RLC sublayer entity shall deliver a SDU to the higher layer receiving entity as soon as it arrives at the receiver.
- **Acknowledged data transfer.** This service transmits higher layer PDUs and guarantees delivery to the peer entity. In case RLC is unable to deliver the data correctly, the user of RLC at the transmitting side is notified. For this service, both in-sequence and out-of-sequence delivery are supported. In many cases a higher layer protocol can restore the order of its PDUs. As long as the out-of-sequence properties of the lower layer are known and controlled (i.e. the higher layer protocol will not immediately request retransmission of a missing PDU) allowing out-of-sequence delivery can save memory space in the receiving RLC. The acknowledged data transfer mode has the following characteristics:
 - Error-free delivery: Error-free delivery is ensured by means of retransmission. The receiving RLC entity delivers only error-free SDUs to the higher layer.
 - Unique delivery: The RLC sublayer shall deliver each SDU only once to the receiving upper layer using duplication detection function.
 - In-sequence delivery: RLC sublayer shall provide support for in-order delivery of SDUs, i.e., RLC sublayer should deliver SDUs to the receiving higher layer entity in the same order as the transmitting higher layer entity submits them to the RLC sublayer.
 - Out-of-sequence delivery: Alternatively to in-sequence delivery, it shall also be possible to allow that the receiving RLC entity delivers SDUs to higher layer in different order than submitted to RLC sublayer at the transmitting side.
- **QoS setting.** The retransmission protocol shall be configurable by layer 3 to provide different levels of QoS. This can be controlled.
- **Notification of unrecoverable errors.** RLC notifies the upper layer of errors which cannot be resolved by RLC itself by normal exception handling procedures. e.g. by adjusting the maximum number of retransmissions according to delay requirements.

~~The following service is regarded as further study item:~~

~~— **Multicast delivery of higher layer messages.** It is left for further study whether or not special functionality on RLC is needed for support of acknowledged transfer of user data to a specified group of UEs.~~

~~NOTE: — Contributions on this issue are invited.~~

~~The length of a higher layer PDU (RLC SDU) can be variable up to the maximum length specified for each data transfer service [ffs.]. There is **only** a single RLC connection per Radio ~~A~~ccess-Bearer.~~

5.3.2.2 RLC Functions

~~— **Connection Control.** This function performs establishment, release, and maintenance of a RLC connection.~~

- **Segmentation and reassembly.** This function performs segmentation/reassembly of variable-length higher layer PDUs into/from smaller RLC Payload Units (PUs). ~~One RLC PDU carries one PU. or, in case header compression is applied several RLC PUs. The size of the smallest retransmission unit shall be determined by the smallest possible bit rate.~~ The RLC PDU size is adjustable to the actual set of transport formats.

~~— **Header compression.** The feature to include several Payload Units into one RLC PDU is referred to as RLC header compression. RLC header compression can be applied for acknowledged data transfer service. Its applicability shall be negotiable between network and UE. Application of RLC header compression is optional for the network but it shall be supported by the UE mandatory.~~

NOTE: Multiple PUs in a RLC PDU is not supported in Release 99. For Release 99 an RLC PDU will include only a single RLC PU.

- **Concatenation.** If the contents of an RLC SDU does not fill an integer number of RLC PUs, the first segment of the next RLC SDU may be put into the RLC PU in concatenation with the last segment of the previous RLC SDU.
- **Padding.** When concatenation is not applicable and the remaining data to be transmitted does not fill an entire RLC PDU of given size, the remainder of the data field shall be filled with padding bits.
- **Transfer of user data.** This function is used for conveyance of data between users of RLC services. RLC supports acknowledged, unacknowledged and transparent data transfer. Transfer of user data is controlled by QoS setting.
- **Error correction.** This function provides error correction by retransmission (e.g. Selective Repeat, Go Back N, or a Stop-and-Wait ARQ) in acknowledged data transfer mode.
- **In-sequence delivery of higher layer PDUs.** This function preserves the order of higher layer PDUs that were submitted for transfer by RLC using the acknowledged data transfer service. If this function is not used, out-of-sequence delivery is provided.
- **Duplicate Detection.** This function detects duplicated received RLC PDUs and ensures that the resultant higher Layer PDU is delivered only once to the upper layer.
- **Flow control.** This function allows an RLC receiver to control the rate at which the peer RLC transmitting entity may send information.
- **Sequence number check (Unacknowledged data transfer mode).** This function guarantees the integrity of reassembled PDUs and provides a mechanism for the detection of corrupted RLC SDUs through checking sequence number in RLC PDUs when they are reassembled into a RLC SDU. A corrupted RLC SDU will be discarded.
- **Protocol error detection and recovery.** This function detects and recovers from errors in the operation of the RLC protocol.
- **Ciphering.** This function prevents unauthorized acquisition of data. Ciphering is performed in RLC layer for non-transparent RLC mode.

~~The following potential function(s) are regarded as further study items:~~

- **Suspend/resume function.** Suspension and resumption of data transfer as in e.g. LAPDm (cf. GSM 04.05).

5.3.3 PDCP Services and Function

This section provides an overview on services and functions provided by the Packet Data Convergence Protocol (PDCP). A detailed description of the PDCP is given in 3GPP TS 25.323 [\[10\]](#).

5.3.3.1 PDCP Services provided to upper layers

- Transmission and reception of Network PDUs in acknowledged, unacknowledged and transparent RLC mode.

5.3.3.2 PDCP Functions

- Mapping of Network PDUs from one network protocol to one RLC entity.
- Compression in the transmitting entity and decompression in the receiving entity of redundant Network PDU control information (header compression/ decompression). This may include TCP/IP header compression and decompression.

5.3.4 ~~5.3.4~~ Broadcast/Multicast Control – Services and functions

This section provides an overview on services and functions provided by the BMC sublayer. A detailed description of the BMC protocol is given in 3GPP TS 25.324 [10].

5.3.4.1 BMC Services

The BM-SAP provides a broadcast/multicast transmission service in the user plane on the radio interface for common user data in transparent or unacknowledged mode.

5.3.4.2 BMC Functions

- **Storage of SMS CB Messages**

The BMC stores the SMS CB messages for scheduled transmission.

- **Transmission of SMS CB messages to UE**

This functions transmits the SMS CB messages controlled by schedule information.

- **Delivery of SMS CB messages to NAS**

This functions delivers the received SMS CB messages to the NAS in the UE. Depending on the chosen RLC service corrupted SMS CB messages are delivered (transparent mode) or not (unacknowledged mode).

5.3.5 Data flows through Layer 2

Data flows through layer 2 are characterized by the applied data transfer modes on RLC (acknowledged, unacknowledged and transparent transmission) in combination with the data transfer type on MAC, i.e. whether or not a MAC header is required. The case where no MAC header is required is referred to as "transparent" MAC transmission. Acknowledged and unacknowledged RLC transmissions both require a RLC header. In unacknowledged transmission, only one type of unacknowledged data PDU is exchanged between peer RLC entities. In acknowledged transmission, both (acknowledged) data PDUs and control PDUs are exchanged between peer RLC entities.

The resulting different data flow cases are illustrated in Figures 7 - 10. On the level of detail presented here, differences between acknowledged and unacknowledged RLC transmission are not visible. Acknowledged and unacknowledged RLC transmission is shown as one case, referred to as non-transparent RLC.

NOTE: The term "transparent transmission" is used here to characterize the case where a protocol, MAC or RLC, does not require any protocol control information (e.g. header). In transparent transmission mode, however, some protocol functions may still be applied. In this case an entity of the respective protocol must be present even when the protocol is transparent. For the RLC protocol the segmentation/reassembly function may be applied. This can be performed without segmentation header when a given higher layer PDU fits into a fixed number of RLC PDUs to be transferred in a given transmission time interval. In this case segmentation/reassembly follows predefined rules known to sending and receiving RLC entities. For instance in the user plane, the segmentation/reassembly function is needed for the case of real-time services using high and possibly variable bit rates. For such services higher layer PDUs shall be segmented into reasonably sized RLC PDUs of fixed length allowing efficient FCS error detection on the physical layer. The higher layer PDU can be reassembled by simply concatenating all RLC PDUs included in a transport block set as implied by the used transport format.

Figure 7 and Figure 8 illustrate the data flows for transparent RLC with transparent and non-transparent MAC transmission, respectively.

Figure 9 and Figure 10 illustrate the data flows for non-transparent RLC with transparent and non-transparent MAC transmission, respectively.

For acknowledged RLC transmission mode, a single RLC PDU may include more than one segment (referred to as Payload Unit, cf. TS 25.322 [8]) of RLC SDU. ~~Theis feature of including ,referred to as RLC header compression multiple PUs into a PDU,~~ is not shown here in the data flow as it is not supported for Release 99.

A number of MAC PDUs shown in the figures shall comprise a transport block set. Note, however, that in all cases a transport block set must not necessarily match with a RLC SDU. The span of a transport block set can be smaller or larger than a RLC SDU.

Each mapping between a logical channel and a transport channel as defined in Figure 4 and Figure 5 in combination with the respective RLC transmission mode implies a certain data flow which is specified on a general level in the following.

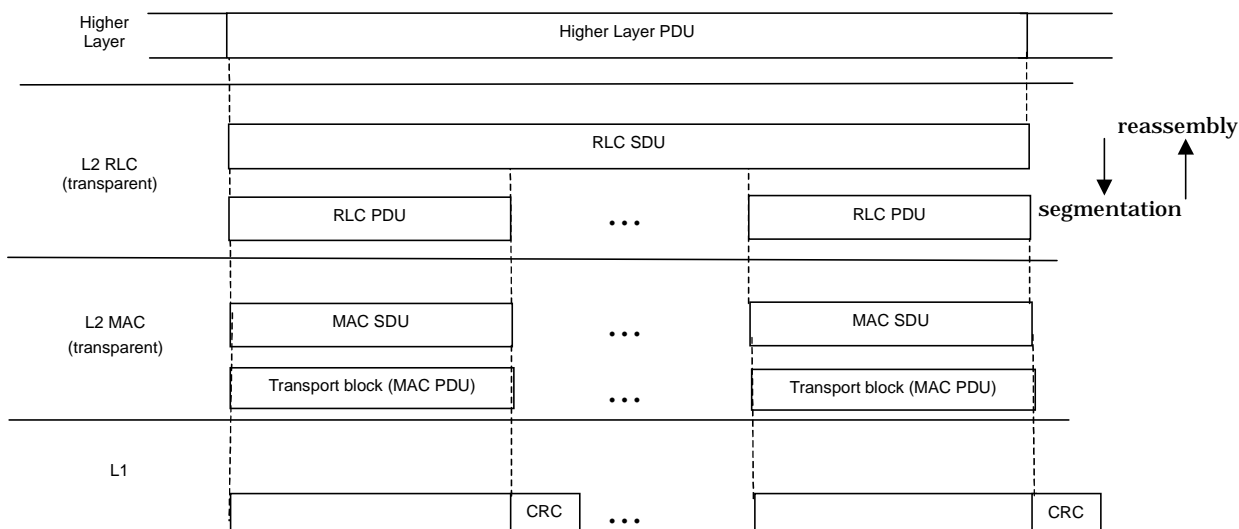


Figure 7: Data flow for transparent RLC and MAC

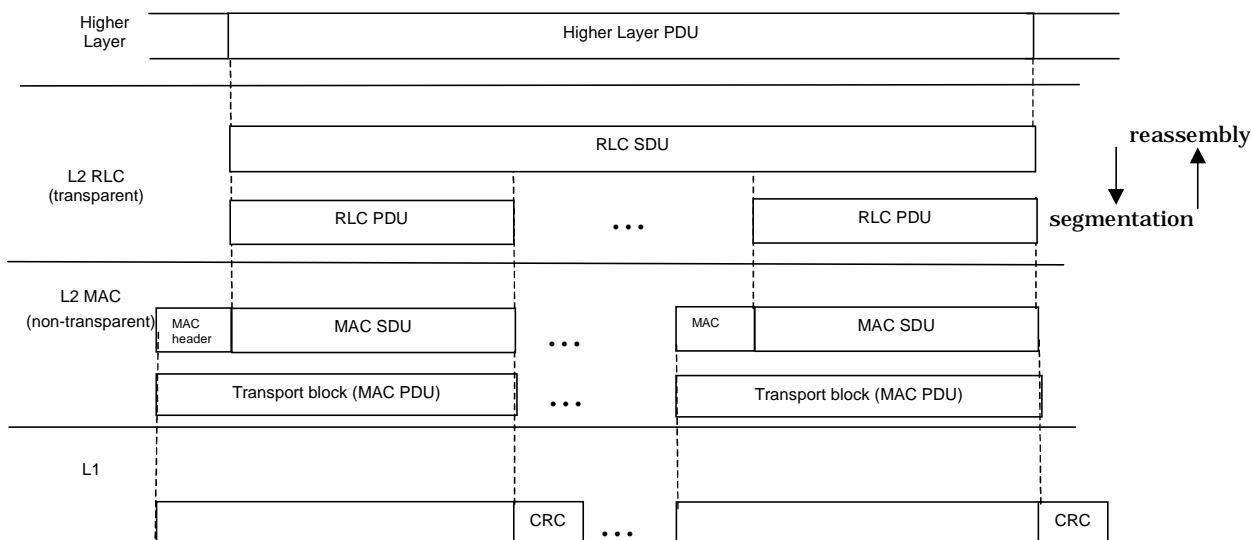


Figure 8: Data flow for transparent RLC and non-transparent MAC

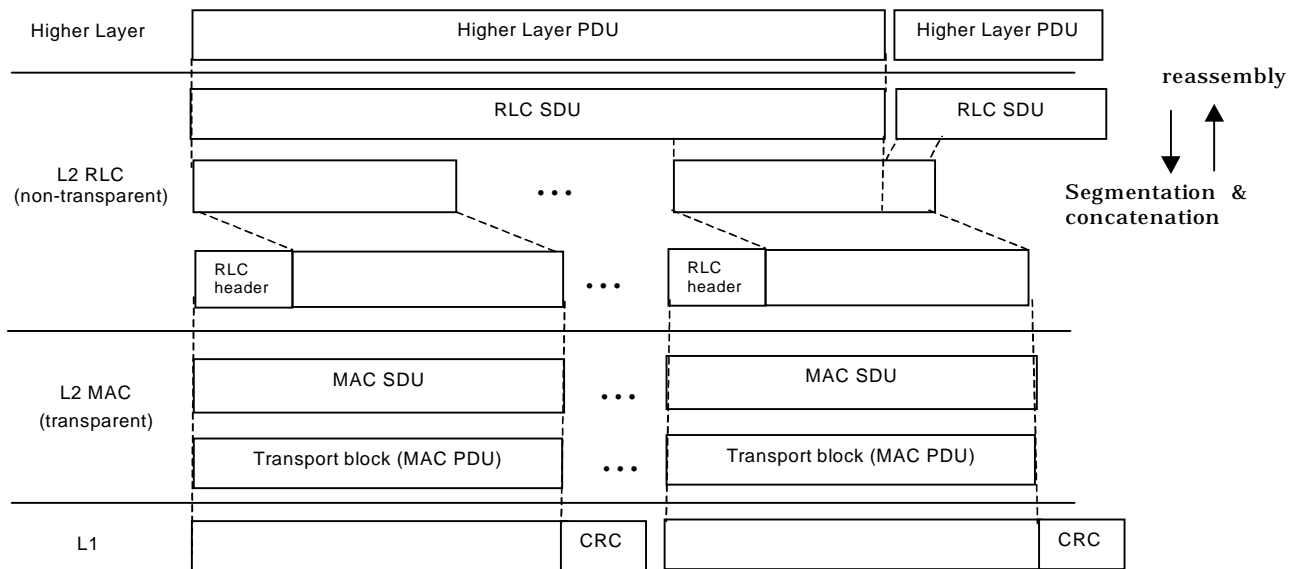


Figure 9: Data flow for non-transparent RLC and transparent MAC

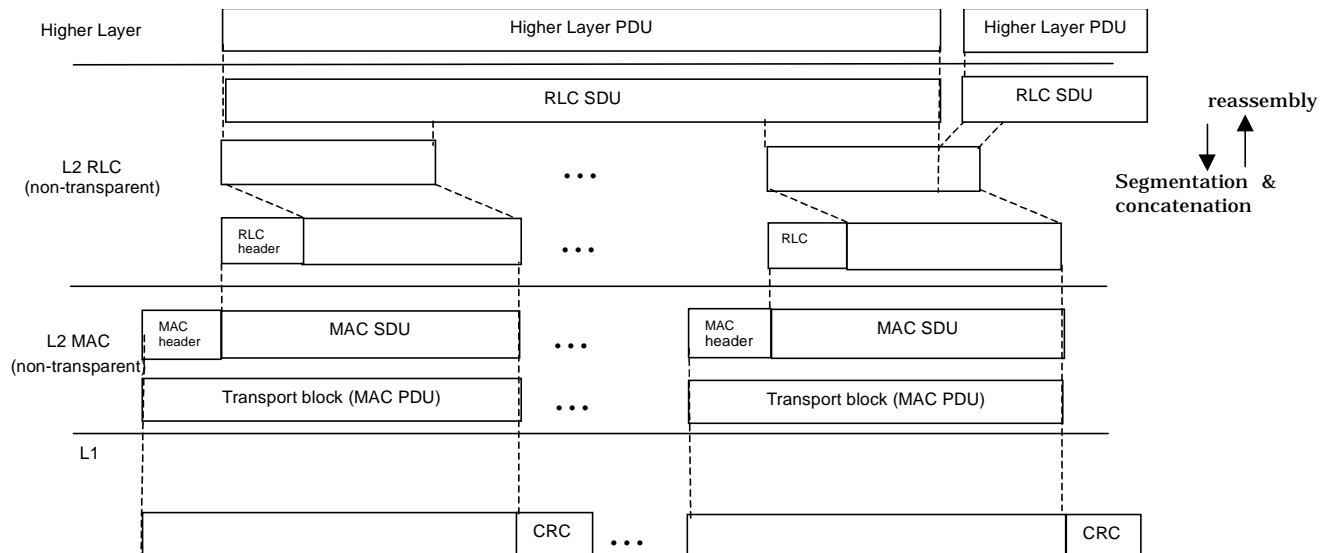


Figure 10: Data flow for non-transparent RLC and MAC

5.3.5.1 Data flow for BCCH mapped to BCH

All RRC PDUs transmitted on BCCH have a fixed length and fit into one RLC PDU (and, equivalently, MAC PDU, as defined by the transport format). No RLC header is needed, i.e. the transparent data transfer mode of RLC is applied.

No MAC header is needed since only one BCCH logical channel is mapped onto a BCH. Figure 7 is applicable.

5.3.5.2 Data flow for BCCH mapped to FACH

No RLC header is needed, i.e. the transparent data transfer mode of RLC is applied. A MAC header is required for identification of the logical channel carried by the FACH. The data flow shown in Figure 8 is applicable.

5.3.5.3 Data flow for PCCH mapped to PCH

No RLC or MAC header is needed, i.e. the data flow in Figure 7 is applicable.

5.3.5.4 Data flow for SCCH mapped to SCH (ffs.)

Same data flow is applicable as for BCCH mapped to BCH. Applied in TDD mode only. A MAC header is not needed. The data flow shown in Figure 7 or Figure 9 applies, depending on applied RLC transmission mode.

5.3.5.5 Data flow for CCCH mapped to FACH/RACH (ffs.)

For CCCH, transparent ~~or unacknowledged~~ transmission mode on RLC is employed on the uplink (when mapped to RACH). Unacknowledged transmission mode on RLC is employed on the downlink (when mapped to FACH). A MAC header ~~may be~~ used for logical channel identification (CCCH, CTCH, SHCCH, DCCH, DTCH). ~~When no MAC header is used, CCCH must be the only channel mapped to RACH/FACH.~~ If the transparent RLC transfer mode is applied, ~~depending on whether the MAC header is needed or not, either~~ the data flow Figure 7 or Figure 8 is applicable. If the unacknowledged RLC transfer mode is applied, ~~depending on whether the MAC header is needed or not, either~~ the data flow Figure 9 or Figure 10 is applicable.

NOTE: — ~~It might be possible that some of the above mentioned options can be removed when all messages carried on CCCH have been specified in detail.~~

5.3.5.6 Data flow for SHCCH mapped to FACH/RACH

For SHCCH, transparent or unacknowledged transmission mode on RLC is employed. A MAC header may be used for logical channel identification (CCCH, CTCH, SHCCH, DCCH, DTCH). When no MAC header is used, SHCCH must be the only channel mapped to RACH/FACH. If the transparent RLC transfer mode is applied, depending on whether the MAC header is needed or not, either the data flow Figure 7 or Figure 8 is applicable. If the unacknowledged RLC transfer mode is applied, depending on whether the MAC header is needed or not, either the data flow Figure 9 or Figure 10 is applicable.

5.3.5.7 Data flow for DCCH mapped to FACH/RACH

For DCCH, both unacknowledged and acknowledged transmission mode on RLC is employed. A MAC header is mandatory for FACH/RACH carrying DCCH. The data flow shown in Figure 10 is applicable.

5.3.5.8 Data flow for DCCH mapped to DSCH

For DCCH, both unacknowledged and acknowledged transmission mode on RLC is employed. Whether or not a MAC header is needed for UE identification mandatory when DCCH is mapped to a DSCH is ffs for FDD mode, i.e. the data flow in Figure 10 is applicable. For TDD a MAC header is optional, i.e. either the data flow in Figure 9 or Figure 10 is applicable.

5.3.5.9 Data flow for DCCH mapped to USCH

For DCCH, both unacknowledged and acknowledged transmission mode on RLC is employed. A MAC header is needed if DCCH and DTCH logical channels are multiplexed in MAC before mapping to a USCH, i.e. either the data flow in Figure 9 or Figure 10 is applicable.

5.3.5.10 Data flow for DCCH mapped to CPCH

For DCCH mapped to CPCH, unacknowledged or acknowledged transmission modes on RLC are employed. The MAC header is needed for logical channel service multiplexing. Figure 10 is the applicable data flow to this case.

5.3.5.11 Data flow for DTCH (non-transparent RLC) mapped to FACH/RACH

Mapping to FACH/RACH implies a DTCH with acknowledged ~~or unacknowledged~~ (possibly also unacknowledged, ffs.) transmission on RLC. A MAC header is mandatory for FACH/RACH when carrying DTCH. The data flow shown in Figure 10 is applicable.

5.3.5.12 Data flow for DTCH (non-transparent RLC) mapped to DSCH

Mapping to DSCH implies a DTCH with acknowledged ~~or unacknowledged~~ (possibly also unacknowledged, ffs.) transmission on RLC. Whether or not a MAC header is needed for UE identification mandatory when DTCH is

mapped to a DSCH in FDD mode is ffs., i.e. the data flow in Figure 10 is applicable. In TDD mode a MAC header is optional, i.e. either the data flow in Figure 9 or Figure 10 is applicable.

5.3.5.13 Data flow for DTCH (non-transparent RLC) mapped to USCH

Mapping to USCH implies a DTCH with acknowledged or unacknowledged (possibly also unacknowledged, ffs.) transmission on RLC. A MAC header is needed if DCCH and DTCH logical channels are multiplexed in MAC before mapping to a USCH, i.e. either the data flow in Figure 9 or Figure 10 is applicable.

5.3.5.14 Data flow for DTCH (transparent RLC) mapped to DCH

Continuous DTCH data stream is segmented into transport blocks on RLC and mapped on a DCH transport channel on MAC. The transport block size is naturally implied by the data rate. Both RLC and MAC sublayers are transparent, i.e. no protocol control information is added, when no multiplexing of DTCH on MAC is applied. The data flow shown in Figure 7 is applicable. If multiplexing on MAC is performed, a MAC header is needed, and Figure 8 applies.

5.3.5.15 Data flow for DTCH (non-transparent RLC) mapped to DCH

In this case acknowledged or unacknowledged transmission on RLC is applied. A MAC header is needed only if multiple DTCH logical channels are multiplexed in MAC before mapping to a DCH, i.e. either the data flow in Figure 9 or Figure 10 is applicable.

5.3.5.16 Data flow for DTCH (non-transparent RLC) mapped to CPCH.

This case requires both non-transparent RLC and MAC operations. The data flow shown in Figure 10 is applicable.

5.3.5.17 Data flow for DCCH mapped to DCH

In this case non-transparent or transparent transmission mode on RLC is applied. A MAC header is needed only if DCCH and DTCH logical channels are multiplexed in MAC before mapping to a DCH, i.e. either the data flow in Figure 9 or Figure 10 is applicable.

5.3.5.18 Data flow for CTCH mapped to FACH

For CTCH, transparent or unacknowledged transmission mode on RLC is employed. A MAC header may be used for logical channel identification (CCCH, CTCH, DCCH, DTCH). When no MAC header is used, CTCH must be the only channel mapped to FACH. If the transparent RLC transfer mode is applied, depending on whether the MAC header is needed or not, either the data flow Figure 7 or Figure 8 is applicable. If the unacknowledged RLC transfer mode is applied, depending on whether the MAC header is needed or not, either the data flow Figure 9 or Figure 10 is applicable.

5.4 Layer 3 – Uu Stratum Services and Functions

This section provides an overview on Layer 3 services and functions provided by the Uu Stratum as a whole. A detailed description of the RRC protocol is given in 3GPP TS 25.331 [119]. Examples of structured procedures involving RRC in Idle Mode and Connected Mode are described in 3GPP TS 25.303 [5] and 3GPP TS 25.304 [6], respectively.

5.4.1 Uu Stratum services

5.4.1.1 General Control

The GC SAP provides an information broadcast service. This service broadcasts information to all UEs in a certain geographical area. The basic requirements from such service are:

- It should be possible to broadcast non-access stratum information in a certain geographical area.
- The information is transferred on an unacknowledged mode link. Unacknowledged mode means that the delivery of the broadcast information can not be guaranteed (typically no retransmission scheme is used). It seems reasonable to

use an unacknowledged mode link since the information is broadcast to a lot of UEs and since broadcast information often is repeated periodically.

- It should be possible to do repeated transmissions of the broadcast information (how it is repeated is controlled by the non-access stratum).
- The point where the UE received the broadcast information should be included, when the access stratum delivers broadcast information to the non-access stratum.

5.4.1.2 Notification

The Nt SAP provides paging and notification broadcast services. The paging service sends information to a specific UE(s). The information is broadcast in a certain geographical area but addressed to a specific UE(s). The basic requirements from such service are:

- It should be possible to broadcast paging information to a number of UEs in a certain geographical area.
- The information is transferred on an unacknowledged mode link. It is assumed that the protocol entities in non-access stratum handle any kind of retransmission of paging information.

The notification broadcast service broadcasts information to all UEs in a certain geographical. The basic requirements from this service are typically the same as for the information broadcast service of the GC SAP:

- It should be possible to broadcast notification information in a certain geographical area.
- The information is transferred on an unacknowledged mode link.

5.4.1.3 Dedicated Control

The DC SAP provides services for establishment/release of a connection and transfer of messages using this connection. It should also be possible to transfer a message during the establishment phase. The basic requirements from the establishment/release services are:

- It should be possible to establish connections (both point and group connections).
- It should be possible to transfer an initial message during the connection establishment phase. This message transfer has the same requirements as the information transfer service.
- It should be possible to release connections.

The information transfer service sends a message using the earlier established connection. According to [1] it is possible to specify the quality of service requirements for each message. A finite number of quality of service classes will be specified in [1], but currently no class has been specified. In order to get an idea of the basic requirements, the CC and MM protocols in GSM are used as a reference. A GSM based core network is chosen since it is one main option for UMTS. Considering the existing GSM specification of CC and MM the basic requirements from the information transfer service provided by the 'Duplication avoidance' layer-function are (these are some of the services provided by the combination of a duplication layer, RR and the data link layer in GSM):

- In-sequence transfer of messages

Messages are delivered to the NAS on the receiver side exactly in the order they have been submitted by the NAS on the sending side, without loss or duplication, except possibly for the loss of last messages in case of connection abortion.

- Priority handling

If SMS messages should be transported through the control plane it should be possible to give higher priority to signalling messages.

The CC and MM protocols also expect other services, which can not be supported by the current primitives of the DC SAP, e.g. indication of radio link failure.

The information transfer service is provided by a combination of the services provided by the data link layer, RNC and the 'Duplication avoidance' layerfunction.

5.4.2 RRC functions

The Radio Resource Control (RRC) layer handles the control plane signalling of Layer 3 between the UEs and UTRAN. The RRC performs the following functions:

- **Broadcast of information provided by the non-access stratum (Core Network).** The RRC layer performs system information broadcasting from the network to all UEs. The system information is normally repeated on a regular basis. The RRC layer performs the scheduling, segmentation and repetition. This function supports broadcast of higher layer (above RRC) information. This information may be cell specific or not. As an example RRC may broadcast Core Network location service area information related to some specific cells.
- **Broadcast of information related to the access stratum.** The RRC layer performs system information broadcasting from the network to all UEs. The system information is normally repeated on a regular basis. The RRC layer performs the scheduling, segmentation and repetition. This function supports broadcast of typically cell-specific information.
- **Broadcast of ODMA relay node neighbour information.** The RRC layer performs probe information broadcasting to allow ODMA routing information to be collected.
- **Establishment, re-establishment, maintenance and release of an RRC connection between the UE and UTRAN.** The establishment of an RRC connection is initiated by a request from higher layers at the UE side to establish the first Signalling Connection for the UE. The establishment of an RRC connection includes an optional cell re-selection, an admission control, and a layer 2 signalling link establishment. The release of an RRC connection can be initiated by a request from higher layers to release the last Signalling Connection for the UE or by the RRC layer itself in case of RRC connection failure. In case of connection loss, the UE requests re-establishment of the RRC connection. In case of RRC connection failure, RRC releases resources associated with the RRC connection.
- **Collating ODMA neighbour list and gradient information.** The ODMA relay node neighbour lists and their respective gradient information will be maintained by the RRC.
- **Maintenance of number of ODMA relay node neighbours.** The RRC will adjust the broadcast powers used for probing messages to maintain the desired number of neighbours.
- **Establishment, maintenance and release of a route between ODMA relay nodes.** The establishment of an ODMA route and RRC connection based upon the routing algorithm.
- **Interworking between the Gateway ODMA relay node and the UTRAN.** The RRC layer will control the interworking with the standard TDD or FDD communication link between the Gateway ODMA relay node and the UTRAN.
- **Establishment, reconfiguration and release of Radio Access-Bearers.** The RRC layer can, on request from higher layers, perform the establishment, reconfiguration and release of Rradio access-Bbearers in the user plane. A number of Rradio access-Bbearers can be established to an UE at the same time. At establishment and reconfiguration, the RRC layer performs admission control and selects parameters describing the Rradio access-Bbearer processing in layer 2 and layer 1, based on information from higher layers.
- **Assignment, reconfiguration and release of radio resources for the RRC connection.** The RRC layer handles the assignment of radio resources (e.g. codes, CPCH channels) needed for the RRC connection including needs from both the control and user plane. The RRC layer may reconfigure radio resources during an established RRC connection. This function includes coordination of the radio resource allocation between multiple radio bearers related to the same RRC connection. RRC controls the radio resources in the uplink and downlink such that UE and UTRAN can communicate using unbalanced radio resources (asymmetric uplink and downlink). RRC signals to the UE to indicate resource allocations for purposes of handover to GSM or other radio systems.
- **RRC connection mobility functions.** The RRC layer performs evaluation, decision and execution related to RRC connection mobility during an established RRC connection, such as handover, preparation of handover to GSM or other systems, cell re-selection and cell/paging area update procedures, based on e.g. measurements done by the UE.
- **Paging/notification.** The RRC layer can broadcast paging information from the network to selected UEs. Paging and notification can be requested by higher layers on the network side. The RRC layer can also initiate paging during an established RRC connection.
- **Routing of higher layer PDUs.** This function performs at the UE side routing of higher layer PDUs to the correct higher layer entity, at the UTRAN side to the correct RANAP entity.

- **Control of requested QoS.** This function shall ensure that the QoS requested for the Rradio access-Bbearers can be met. This includes the allocation of a sufficient number of radio resources. ~~The exact requirements on RRC to support this function are ffs.~~
- **UE measurement reporting and control of the reporting.** The measurements performed by the UE are controlled by the RRC layer, in terms of what to measure, when to measure and how to report, including both UMTS air interface and other systems. The RRC layer also performs the reporting of the measurements from the UE to the network.
- **Outer loop power control.** The RRC layer controls setting of the target of the closed loop power control.
- **Control of ciphering.** The RRC layer provides procedures for setting of ciphering (on/off) between the UE and UTRAN.
- **Slow DCA.** Allocation of preferred radio resources based on long-term decision criteria. It is applicable only in TDD mode.
- ~~Contention resolution. The RRC handles reallocations and releases of radio resources in case of collisions indicated by lower layers in TDD mode. Applicability of contention resolution in FDD mode is ffs.~~

Arbitration of radio resources on uplink DCH. This function controls the allocation of radio resources on uplink DCH on a fast basis, using a broadcast channel to send control information to all involved users.

NOTE: This function is implemented in the CRNC. ~~Details are ffs.~~

- **Initial cell selection and re-selection in idle mode.** Selection of the most suitable cell based on idle mode measurements and cell selection criteria.
- **Integrity protection.** This function adds a Message Authentication Code (MAC-I) to those RRC messages that are considered sensitive and/or contain sensitive information. The mechanism how the MAC-I is calculated is described in TS 33.105 [~~14TS-33.105~~].

- Scheduling of SMS CB messages

The RRC receives scheduling information per SMS CB message and SMS CB DRX information per cell from the CBC-RNC-interface. Based on this information the RRC schedules SMS CB message sequences.

~~NOTE: — Whether this function is in the RRC or in the BMC is ffs.~~

- Configuration of SMS CB channels

This function uses the output of function "Scheduling of SMS CB messages" to determine the selection and configuration of SMS CB channels.

- Configuration of SMS CB discontinuous reception

This function configures the PHY sublayer of the UE when it should listen to the configured « SMS CB channels ». It is based on currently received scheduling information from the peer RRC of RNC and the SMS CB history stored.

- **Timing advance control.** The RRC controls the operation of timing advance. It is applicable only in TDD mode.

~~The following functions are regarded as further study items:~~

~~— Arbitration of the radio resource allocation between the cells. This function shall ensure optimal performance of the overall UTRAN capacity.~~

~~NOTE: — Some clarification should be provided what exact requirements this function implies on the RRC protocol, beyond general radio resource optimization.~~

~~— Congestion control. Further study item.~~

5.5 Interactions between RRC and lower layers in the C plane

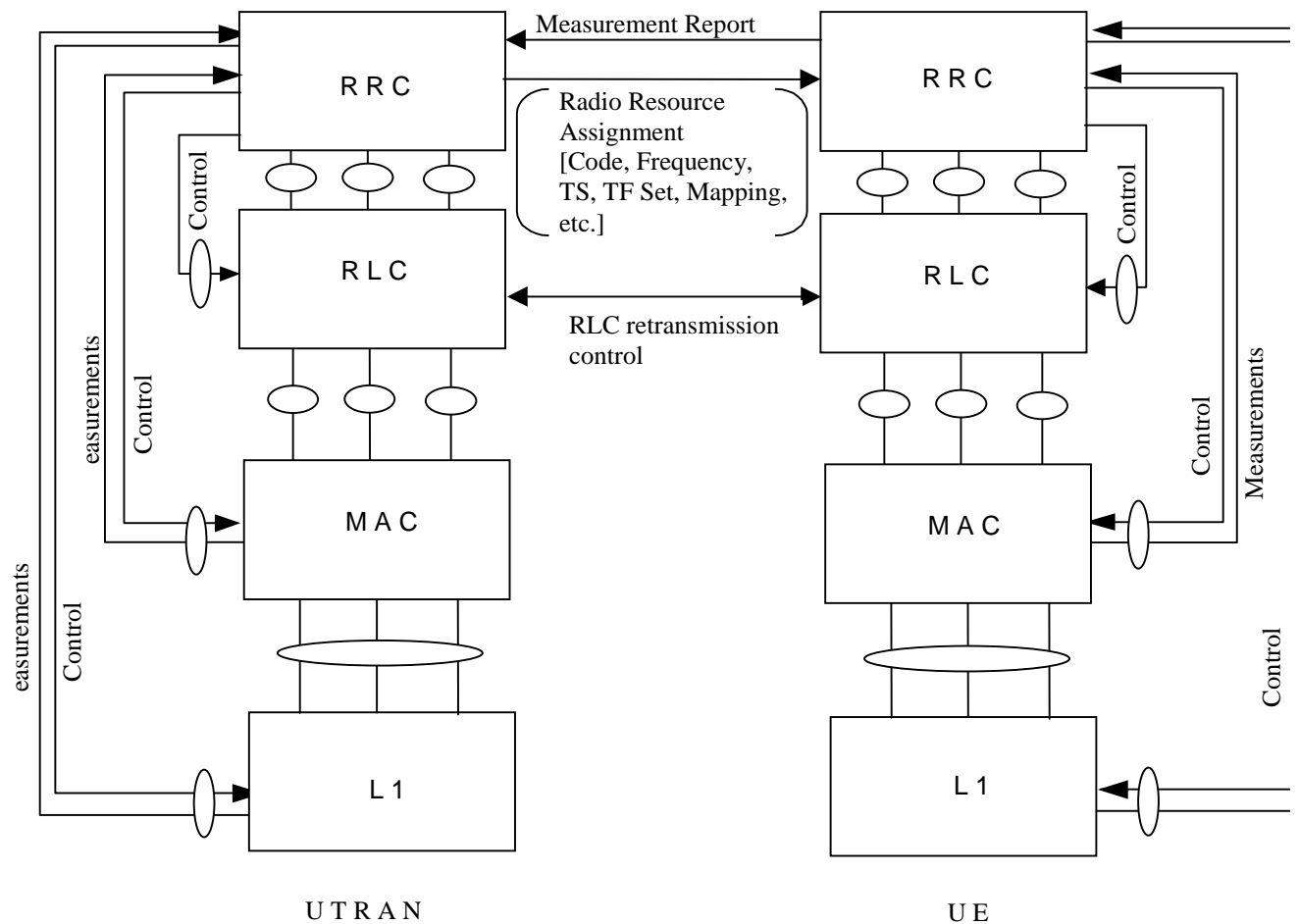


Figure 11: Interactions between RRC and lower layers

The RRC protocol controls and signals the allocation of radio resources to the UE. RRC allows MAC to arbitrate between users and ~~R~~radio ~~access-B~~bearers within the radio resource allocation. The RRC uses the measurements done by the lower layers to determine which radio resources that are available. Therefore it is a need for a measurement report from the UE RRC to the UTRAN RRC. Figure 11 illustrates the principle. The local control and local measurements reporting is handled through the control SAPs between RRC and the lower layers.

5.6 Protocol termination

This section specifies in which node of the UTRAN the radio interface protocols are terminated, i.e. where within UTRAN the respective protocol services are accessible. Dashed lines indicate those protocols whose presence is dependent on the service provided to upper layers.

5.6.1 Protocol termination for DCH

Figure 12 and Figure 13 show the protocol termination for DCH for the control and user planes, respectively. The part of physical layer terminating in the Serving RNC is the topmost macro-diversity combining and splitting function for the FDD mode. If no macrodiversity applies, the physical layer is terminated in Node B.

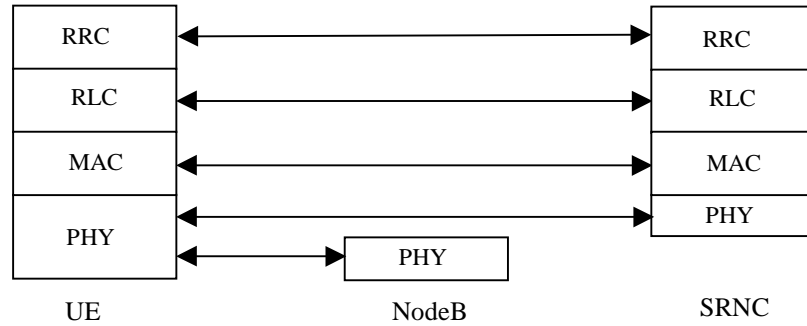


Figure 12: Protocol Termination for DCH, control plane

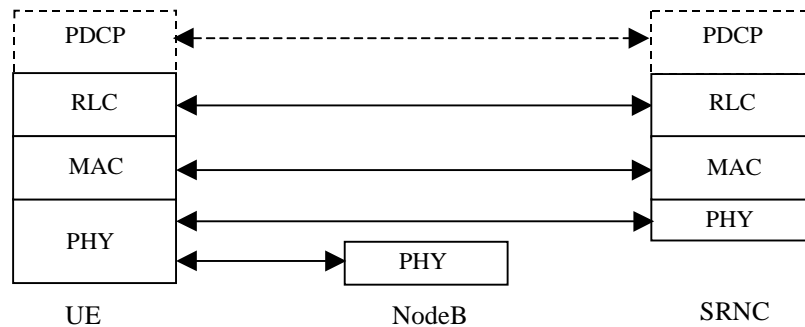


Figure 13: Protocol Termination for DCH, user plane

5.6.2 Protocol termination for RACH/FACH

Figure 14 and Figure 15 show the protocol termination for RACH/FACH for the control and user planes, respectively. Control plane termination refers to the case where RACH/FACH carry dedicated, common or shared control information (i.e. CCCH, DCCH or SHCCH, and in the downlink possibly also BCCH). User plane termination refers to the case where RACH/FACH carry dedicated user data (DTCH) (two alternatives cases, referred to as case B and C, are described in the Annex) or common user data (CTCH).

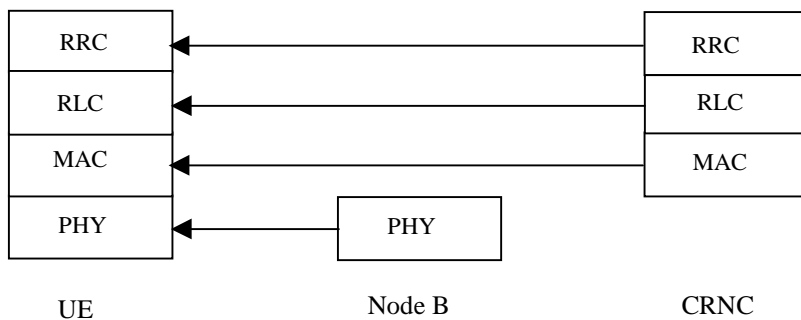
It is assumed that macrodiversity/soft handover is not applied for RACH/FACH. Therefore, the physical layer terminates in Node B. For RACH/FACH carrying DCCH, MAC is split between Controlling and Serving RNC. RLC, and in the C plane also RRC terminate in the Serving RNC. Since Iur can support common channel data streams, the users of that common channel can depend on different SRNCs. However, they depend on the same Controlling RNC. Therefore, for a given user, the Controlling RNC and the Serving RNC can be separate RNCs.

For FACH carrying BCCH, MAC, RLC and RRC are terminated in the CRNC.

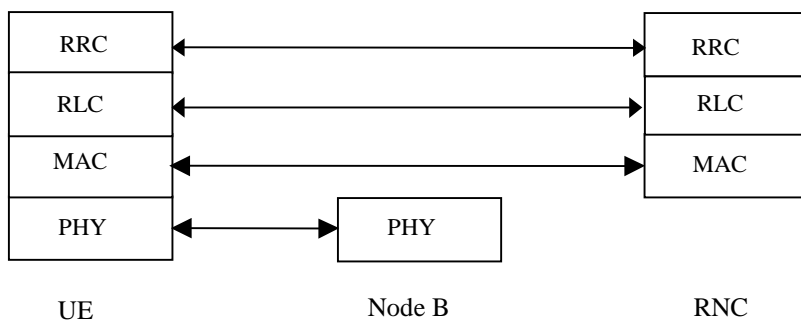
For RACH/FACH carrying SHCCH, MAC, RLC and RRC are terminated in the Controlling RNC (TDD only).

For RACH/FACH carrying CCCH, MAC, RLC and RRC are terminated in the RNC.

BCCH :

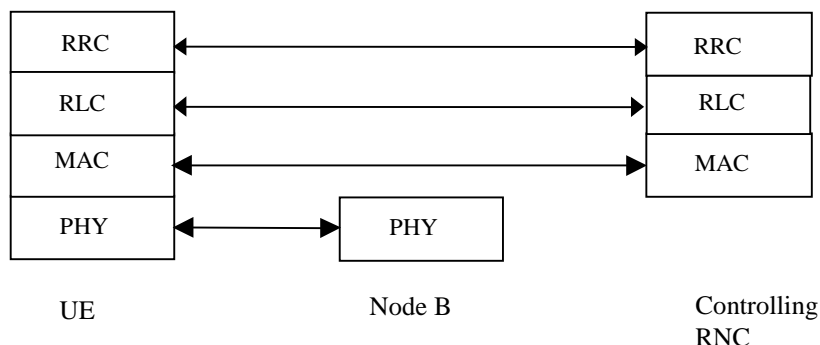


CCCH :



SHCCH:

(TDD only)



DCCH:

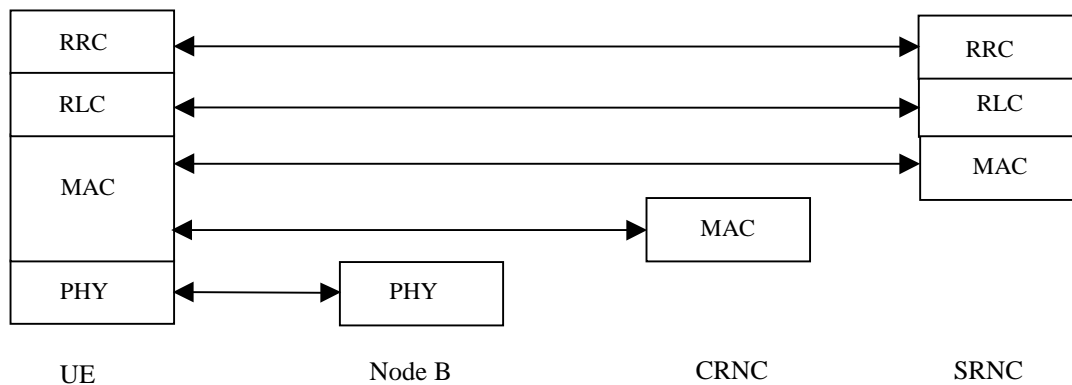


Figure 14: Protocol Termination for RACH/FACH, control plane

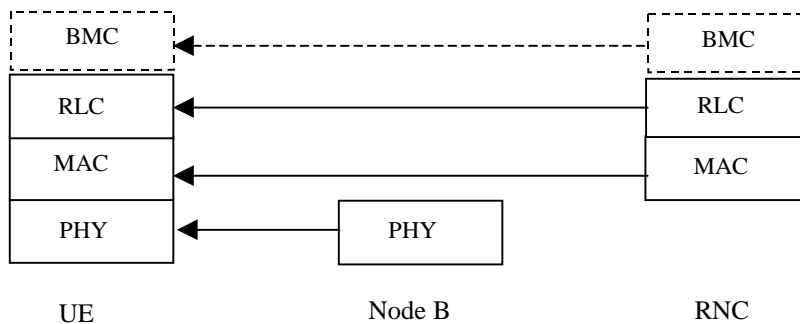
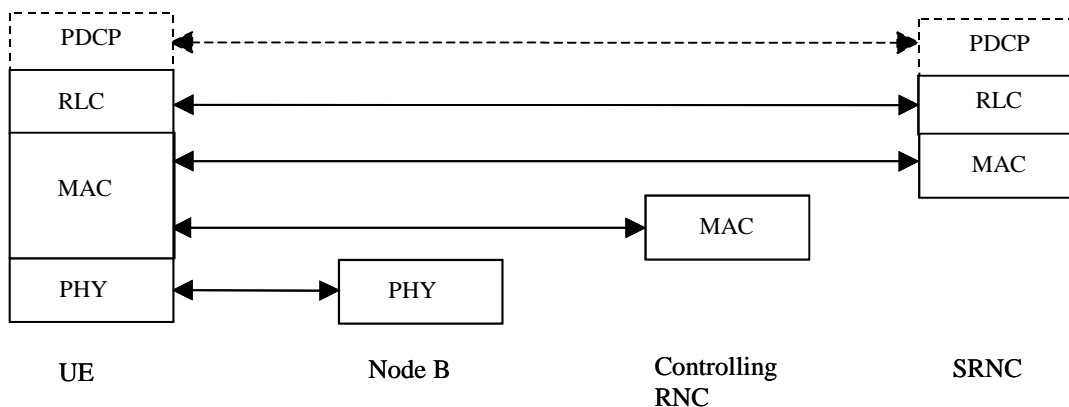
CTCH:**DTCH:**

Figure 15: Protocol Termination for RACH/FACH, user plane

5.6.3 Protocol termination for FAUSCH

Protocol termination for the FAUSCH is the same as for the RACH in the control plane (see Figure 14), since FAUSCH is for control purposes only.

5.6.4 Protocol termination for CPCH

The protocol termination for CPCH is identical to the termination for RACH. Figure 14 (for DCCH) presents the control plane protocol termination. Figure 15 presents the user plane protocol termination.

5.6.5 Protocol termination for DSCH

5.6.5.1 DSCH definition

The DSCH is a resource that exists in downlink only. It has only impact on the physical and transport channel levels, so there is no definition of shared channel in the logical channels provided by MAC.

The DSCH is a transport channel shared dynamically between several UEs. The DSCH is mapped to one or several physical channels such that a specified part of the downlink resources is employed. For the DSCH no macrodiversity is applied, i.e. a specific DSCH is transmitted in a single cell only.

The following ~~three~~^{two} DSCH cases are ~~presently considered~~^{supported in Release 99}, in the following denoted as cases ~~A, B,~~ and BC:

- **Case A:** The DSCH is defined as an extension to DCH transmission. DSCH related resource allocation is signalled utilizing the transport format indication field (TFI) that will be mapped to the TFCI of the associated DCH.

- ~~Case B: The DSCH is defined as a shared downlink channel for which resource allocation, including UE identification, is signalled on another common downlink channel, referred to as DSCH Control Channel.~~

~~NOTE 1: It is considered ffs. whether the DSCH Control Channel requires a new type of transport channel or whether a specific FACH transport channel can be used for this purpose. It is assumed that the DSCH control channel is supported on the PSCCCH (Physical Shared Common Control Channel) if it carries TPC information. It needs to be confirmed by TSG-RAN-WG1 that this channel will be specified.~~

~~NOTE 2: For case B it is assumed that DSCH and DSCH Control Channel employ individual channelisation codes each. Time multiplexing of user data (DSCH) and control information (DSCH Control Channel) is not considered.~~

- ~~Case BC: The DSCH is defined as a shared downlink channel for which resource allocation is performed by RRC in Controlling RNC. The allocation messages, including UE identification, are transmitted on SHCCH, which is mapped on RACH/FACH. Several DSCH can be multiplexed on a CCTrCH in the physical layer, the transport formats of the DSCHs have to be selected from the transport format combination set of this CCTrCH. Each CCTrCH is mapped on one or more PDSCHs. If the transport format combination subset of a CCTrCH contains more than one transport format combination, a TFCI can be transmitted inside the PDSCH, or blind detection can be applied in the UE. This case is supported for TDD only.~~

~~NOTE: Cases A and B of DSCH can be employed concurrently for TDD (at the same time on a single PDSCH).~~

~~NOTE: A fourth case of DSCH definition, where the DSCH was defined as a stand-alone channel providing in-band UE identification is not considered any more. This case has been identified as being equivalent to a FACH and is as such already included in the radio interface specification.~~

Interleaving for the DSCH may be applied over a multiplicity of radio frames. Nevertheless, here the basic case is considered where the interleaving is rectangular for a given MAC PDU, and equal to one radio frame (10 ms). The framing is synchronised on the SCH.

In every radio frame, one or several PDSCHs can be used in the downlink. Therefore, the DSCH supports code multiplexing. MAC multiplexing of different UEs shall not be applied within a radio frame, i.e. within one radio frame a PDSCH is assigned to a single UE. However, MAC multiplexing is allowed on a frame by frame basis, i.e. one PDSCH may be allocated to different UEs at each frame.

Transport blocks on the DSCH may be of constant size, so that the Transport Block Set may be derived from the code allocated to each UE on the DSCH. For case BC, the transport format combination set can change with each transmission time interval.

5.6.5.2 Resource allocation and UE identification on DSCH

The principles of capacity allocation and UE identification on the DSCH are described in more detail below.

~~NOTE: The two resource allocation methods of the cases A and B might be used simultaneously for one DSCH, i.e. some UEs may use an associated DSCH Control Channel and some UEs may use an associated DCH for resource allocation while transmitting data on the same DSCH. This option is ffs.~~

5.6.5.2.1 Case A (UE requires a downlink TFCI on a DPCCH)

The TFCI of the dedicated physical channel may carry the information that a given code of the DSCH must be listened to by the UE. Fast power control can be applied per code based on the dedicated physical control channel, DPCCH.

Alternatively, a UE may be requested on the DCH to listen to a DSCH for a given period of time, and to decode the data so that the address of the destination UE can be decoded. This does not require more TFCI values because signalling is done in layers 2 and 3.

~~5.6.5.2.2 Case B (UE requires a downlink DSCH Control Channel)~~

~~The information which DSCH code to listen to and when is sent on an additional downlink channel to the UE (essentially a broadcast channel). This channel, is referred to as DSCH Control Channel. It is code multiplexed on the downlink and should convey the following information, which is modified every radio frame:~~

— Layer 1 information

— TPC bits for each UE which would have an uplink DCH without downlink DCH. The location of TPC bits on the PSCCCH of each cell is allocated to each UE when a RAB is mapped onto a DSCH.

— Channelisation code allocated to each UE indicated relatively to the DSCH code entry point

— Layer 2 information

— Identity of the UEs who should receive information on the DSCH. The UE ID is allocated when a RAB is mapped onto a DSCH. Which UE ID is used to identify UE on the DSCH of each cell is ffs.

This concept allows to perform power control on the DSCH, whereas the DSCH Control Channel would be less efficient in terms of power control efficiency (need to power control on the farthest UE).

5.6.5.2.23 Case BC (UE requires a downlink SHCCH) (TDD only)

The information which physical downlink shared channels to listen to and when, is sent by RRC on the SHCCH logical channel which is mapped on RACH/FACH. The transmitted Layer 3 messages contain information about the used PDSCHs and the timing of the allocation.

5.6.5.3 Model of DSCH in UTRAN

Figure 16 captures the working assumption on the Downlink Shared Channel (DSCH). The two RLCs point to logical channel (DTCH) specific RLC-entities of specific users while MAC refers to the provision of MAC sublayer functions for all users.

The MAC sublayer of a DSCH is split between the Controlling RNC and SRNC. For a given user, the RLC sublayer is terminated in its SRNC. Since Iur can support DSCH data streams, the users on that DSCH can depend on different SRNCs. For a given user, the Controlling RNC and the Serving RNC can be separate RNCs. The MAC in the network takes care of mapping downlink data either to a common channel (FACH, not shown in this figure), or to a DCH and/or the DSCH.

Figure 16 also includes the DSCH Control Channel, needed for case B of DSCH definition only. See 3GPP TS 25.321 [8] for details on MAC architecture. In this example, the resource allocation on the DSCH is signalled on the DSCH control channel for UE 1 and on the associated DCH for UE 2.

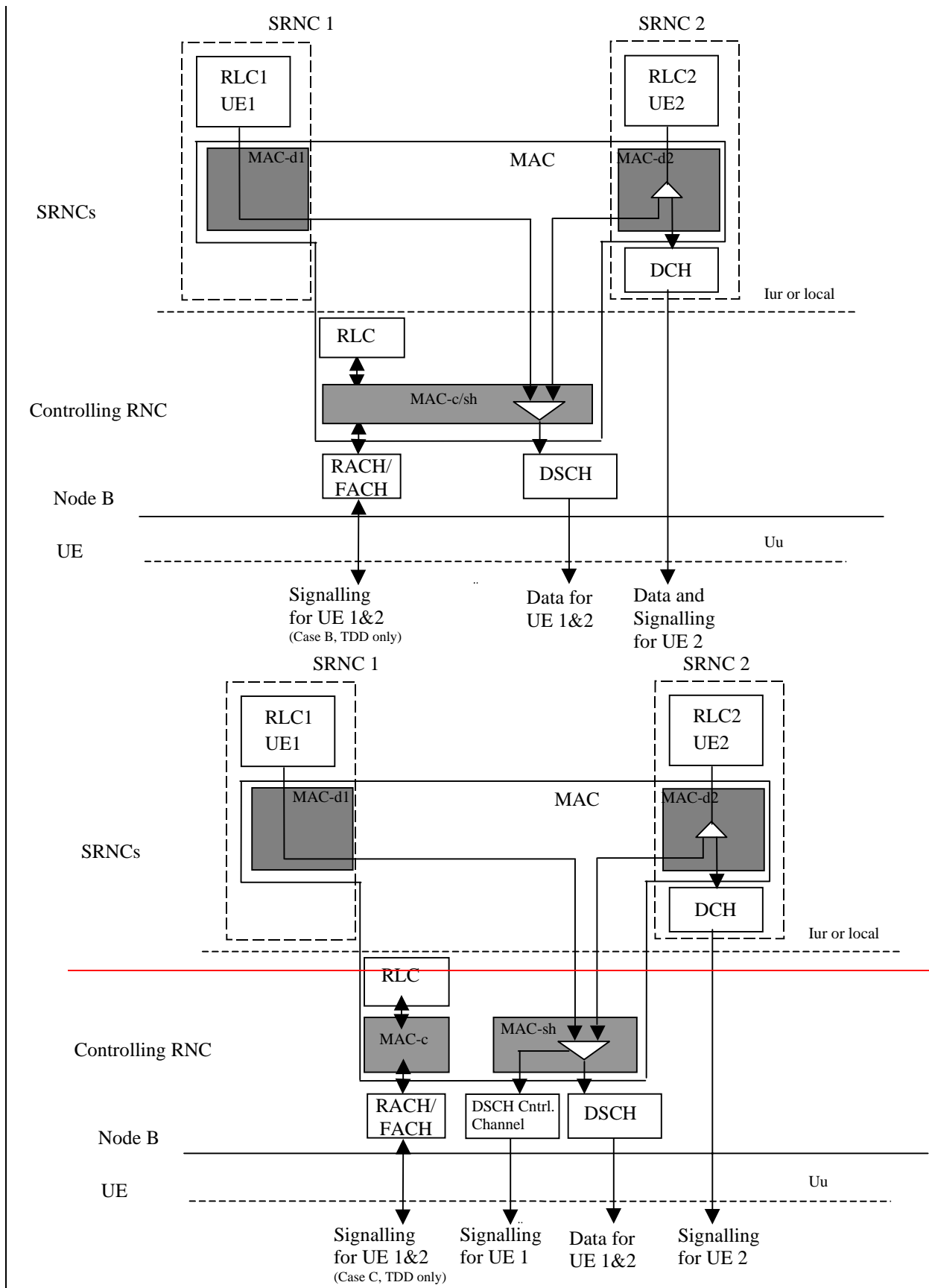


Figure 16: Model of downlink shared channel (DSCH) in UTRAN

5.6.5.4 Protocol termination

The protocol termination points for DSCH in control and user planes are presented in Figure 17 and Figure 18, respectively.

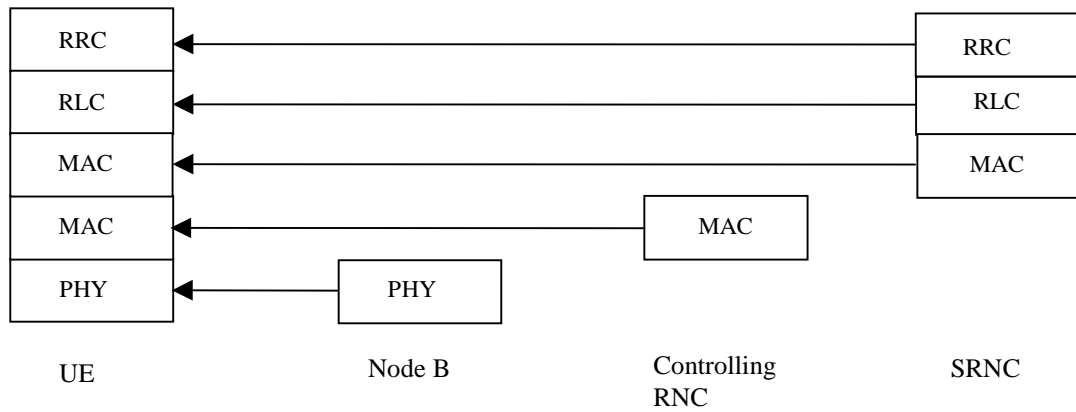


Figure 17: Protocol termination points for DSCH, control plane.

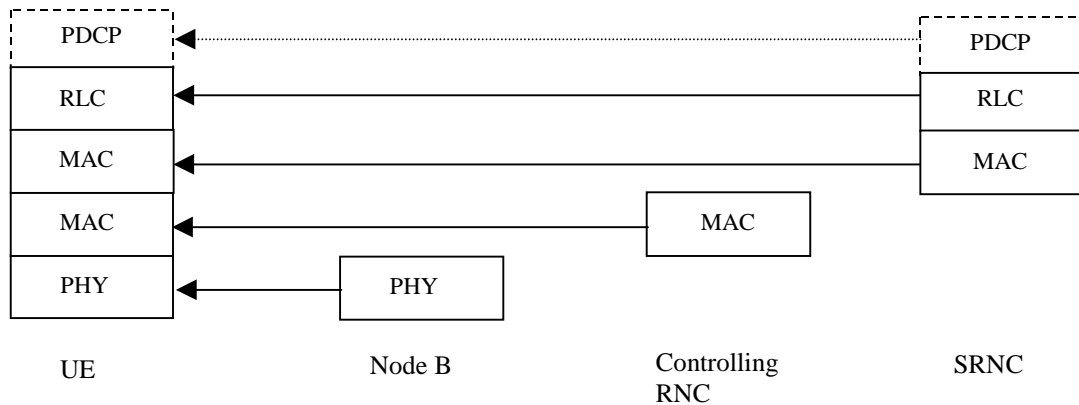


Figure 18: Protocol termination points for DSCH, user plane

5.6.6 Protocol termination for transport channel of type USCH

5.6.6.1 USCH definition

The USCH is only supported for TDD. It is a resource that exists in uplink only. It has only impact on the physical and transport channel levels, so there is no definition of shared channel in the logical channels provided by MAC.

The USCH is a transport channel shared dynamically between several UEs. The USCH is mapped to one or several physical channels such that a specified part of the uplink resources is employed.

The USCH is defined as a shared uplink channel for which resource allocation is performed by RRC in Controlling RNC. The allocation requests and allocation messages, including UE identification, are transmitted on SHCCH, which is mapped on RACH/FACH. Several USCH can be multiplexed on a CCTrCH in the physical layer, the transport formats of the USCHs have to be selected from the transport format combination set of this CCTrCH. Each CCTrCH is mapped on one or more PUSCHs. If the transport format combination subset of a CCTrCH contains more than one transport format combination, a TFCI can be transmitted inside the PUSCH, or blind detection can be applied in the Node B.

Interleaving for the USCH may be applied over a multiplicity of radio frames.

In every radio frame, one or several PUSCHs can be used in the uplink. Therefore, the USCH supports physical channel multiplexing. MAC multiplexing of different UEs shall not be applied within a radio frame, i.e. within one radio frame a PUSCH is assigned to a single UE. However, MAC multiplexing is allowed on a frame by frame basis, i.e. one PUSCH may be allocated to different UEs at each frame.

The transport format combination set on the USCH can change with each transmission time interval.

5.6.6.2 Resource allocation and UE identification on USCH

The information which physical uplink shared channels to transmit on and when is sent by RRC on the SHCCH logical channel which is mapped on RACH/FACH. The transmitted Layer 3 messages contain information about the assigned PUSCHs and the timing of the allocation.

5.6.6.3 Model of USCH in UTRAN

Figure 19 captures the working assumption on the Uplink Shared Channel (USCH). The two RLCs point to logical channel (DTCH) specific RLC-entities of specific users while MAC refers to the provision of MAC sublayer functions for all users.

The MAC sublayer of a USCH is split between the Controlling RNC and SRNC. For a given user, the RLC sublayer is terminated in its SRNC. Since Iur can support USCH data streams, the users on that USCH can depend on different SRNCs. For a given user, the Controlling RNC and the Serving RNC can be separate RNCs. The MAC in the network takes care of mapping uplink data either from a common channel (RACH, not shown in this figure), DCH or the USCH.

Allocations of uplink capacity are requested by the UEs and signaled to the UEs on the SHCCH (Shared channel control channel) which is mapped on RACH/FACH.

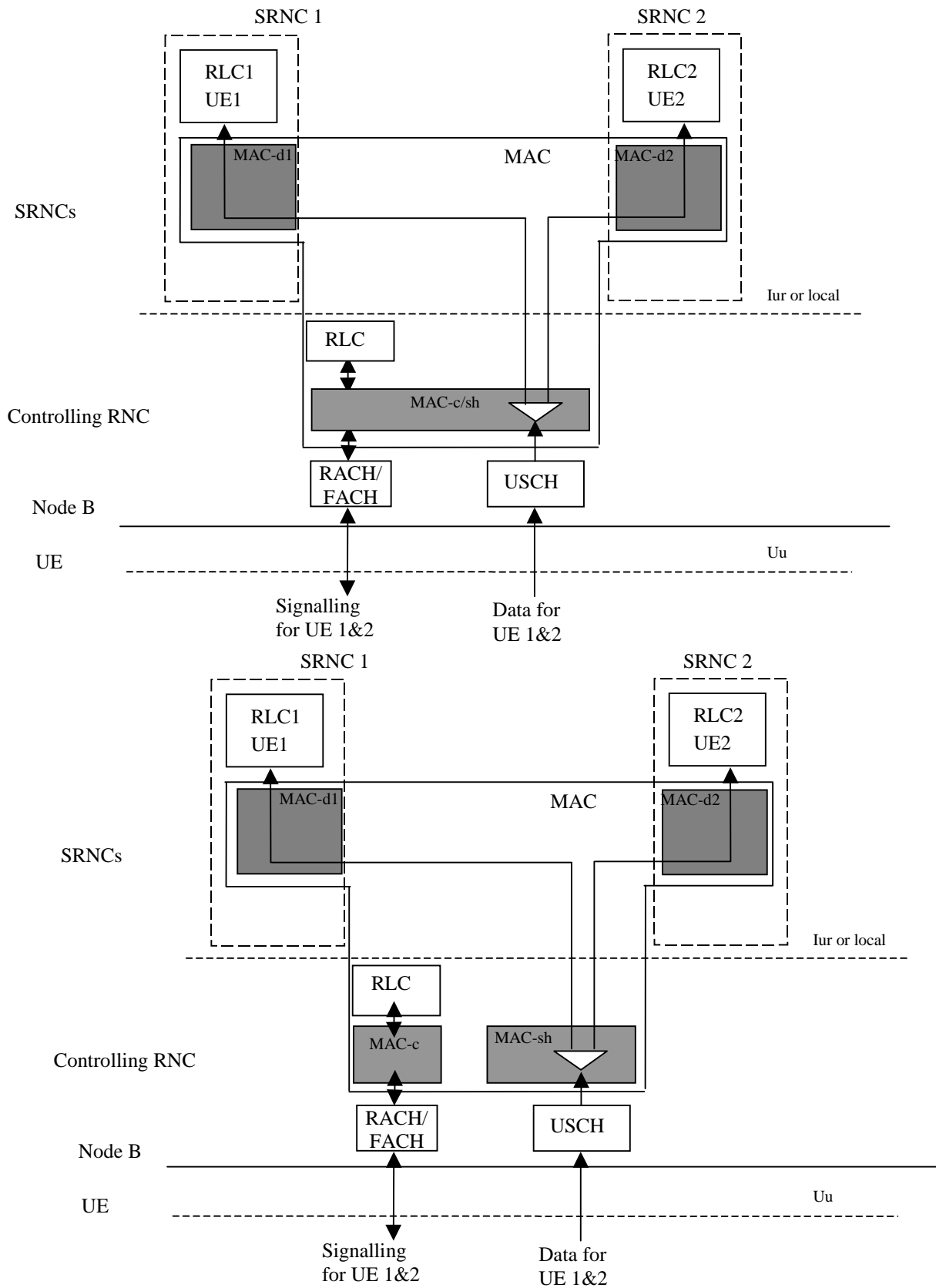


Figure 19: Model of uplink shared channel (USCH) in UTRAN (TDD only)

5.6.6.4 Protocol termination

The protocol termination points for USCH in control and user planes are presented in Figure 20 and Figure 21, respectively. The USCH is for TDD only.

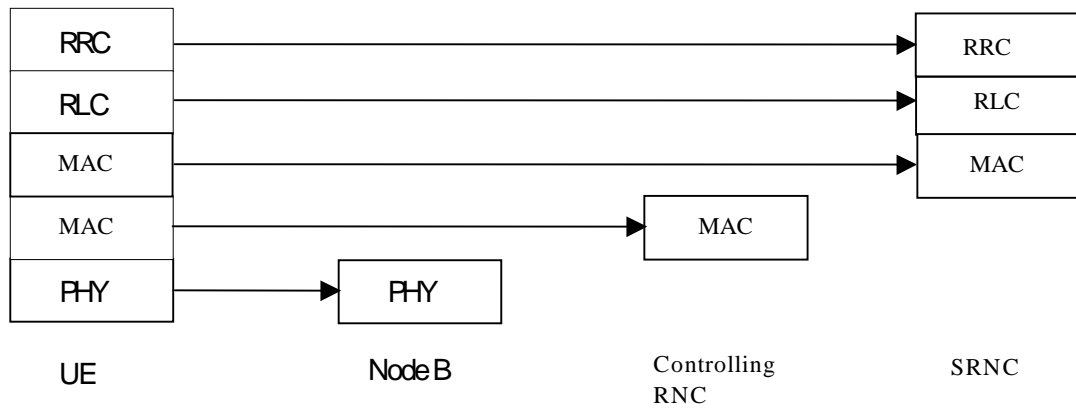


Figure 20: Protocol termination points for USCH, control plane (TDD only)

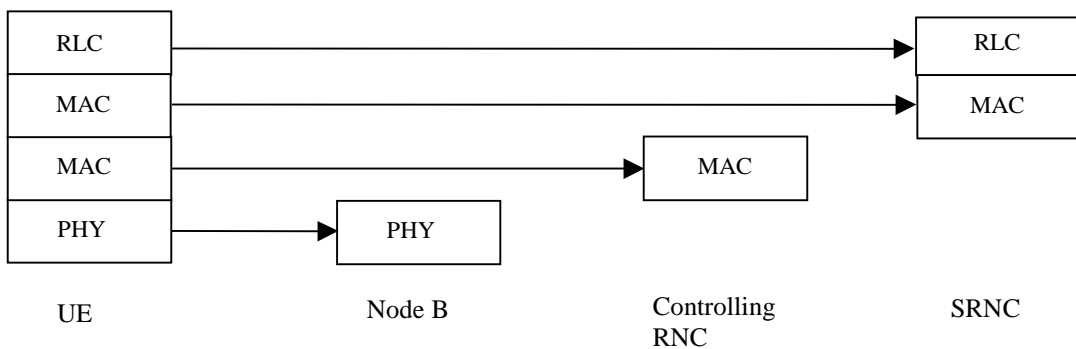


Figure 21: Protocol termination points for USCH, user plane (TDD only)

5.6.7 Protocol termination for transport channel of type BCH

System information on BCH can include information which is available only in Node B, and need to be updated very frequently (each ± 20 -100 ms), such as uplink interference in the cell. Also, for the system information originating from the RNC, it is assumed that the updating of system information is at least one magnitude less (minutes) than the repetition frequency on the BCH (in the order of 1s). The system information originating from the CRNC should be sent transparently to Node B, which then handles the repetition. Protocol termination for the BCH shall therefore be distributed between the Node B and the CRNC, resulting in less signalling on Iub and lower processor load. Note that the RLC sublayer is transparent for this transport channel type.

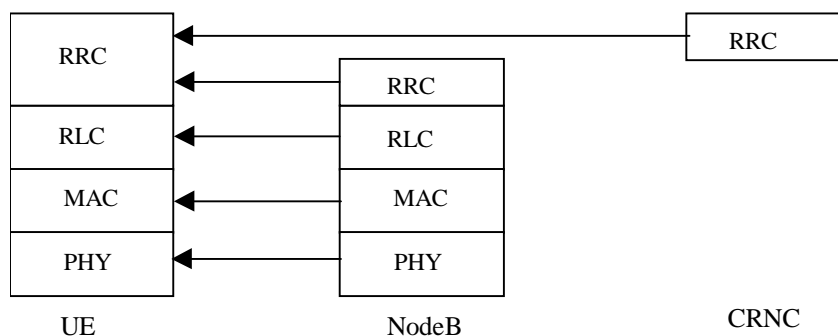


Figure 22: Protocol termination for BCH

5.6.8 Protocol termination for transport channel of type PCH

In order to enable co-ordinated scheduling between PCH and FACH/DSCH the corresponding MAC scheduling functions shall be allocated in the same node (co-location of MAC-p, MAC-c and MAC-sh entities). Both MAC-sh and

MAC-c are terminated in CRNC. Consequently, the MAC termination of PCH shall also be in CRNC. A natural implication is that RLC and RRC also are terminated in CRNC.

Note that the RLC sublayer is transparent for this channel.

NOTE: — Above termination of PCH has been agreed as working assumption. Some WG2 members however requested some more time for further consideration. The above assumption shall be confirmed before or at the next WG2 meeting. The previous solution is kept in the Annex as alternative PCH termination option.

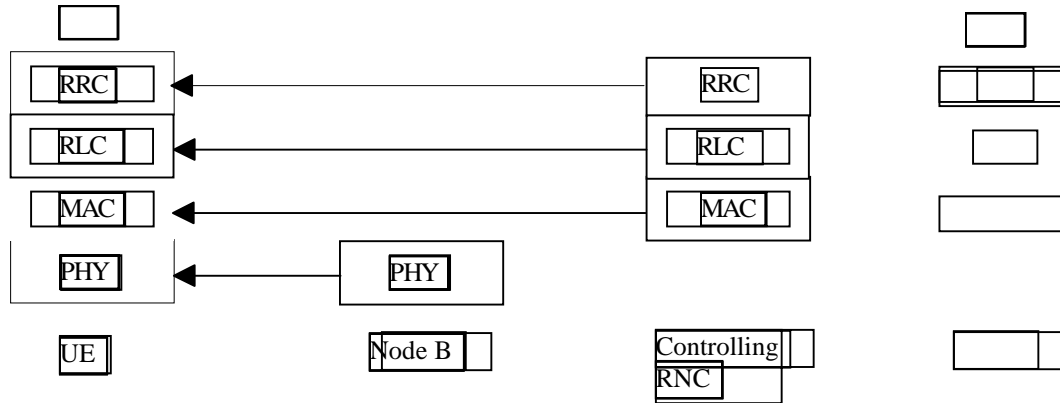


Figure 23: Protocol termination for PCH

5.6.9 Protocol termination for transport channel of type SCH

The SCH transport channel is used in TDD mode only. Protocol termination for SCH is the same as for BCH as shown in Figure 22.

5.6.10 Protocol termination for ODCH

Figure 24 and Figure 25 show the protocol termination for ODCH in the control and user planes, respectively.

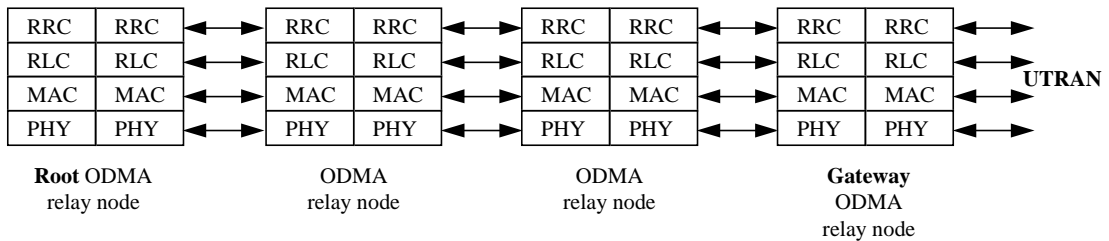


Figure 24: Protocol Termination for the ODCH in the Control Plane

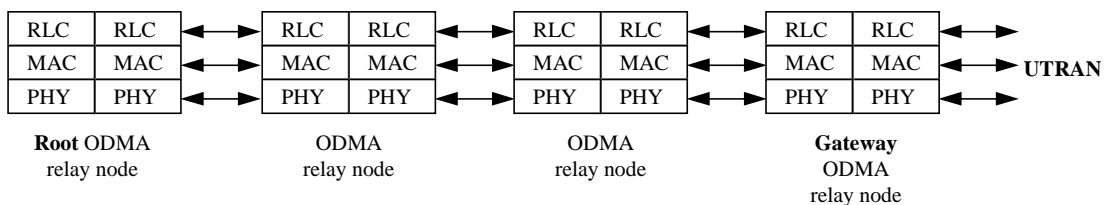


Figure 25: Protocol Termination for the ODCH in the User Plane

NOTE: The current mechanisms and procedures carried out by the RLC and the MAC for the DCH will require minor, subtle modifications to enable them to handle the ODCH.

5.6.11 Protocol termination for ORACH

The protocol termination for ORACH for the control and user planes are illustrated in Figure 26 and Figure 27, respectively. The shown ODMA relay nodes may be either UE_R, Seed, Root, or Gateway.

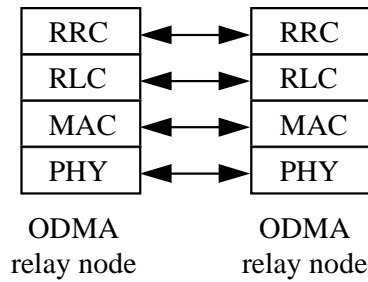


Figure 26: Protocol Termination for ORACH control plane

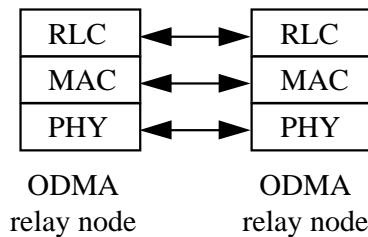


Figure 27: Protocol Termination for ORACH user plane

6 User Identification and RRC Connection Mobility

6.1 UE identification on the radio interface

A Radio Network Temporary Identity (RNTI) is used as an UE identifier on RACH/FACH, ~~or RACH+CPCH/FACH~~ or, for FDD mode, also on DSCH, by the MAC protocol, or on PCH by the RRC, when a RRC connection exists.

Definition of UE identifiers

~~On the radio interface, t~~Two types of RNTIs exist. One is used within the Serving RNC and it is denoted by Serving RNC RNTI (S-RNTI), the other is used within a cell controlled by a C-RNC, when applicable, and it is denoted by Cell RNTI (C-RNTI).

S-RNTI is allocated for all UEs having a RRC connection. It is allocated by the Serving RNC and it is unique within the Serving RNC. S-RNTI is reallocated always when the Serving RNC for the RRC connection is changed and deallocated when the RRC connection is released.

In addition for each UE having an RRC connection, there is an identifier of its current serving RNC, which is denoted as S-RNC identifier. The S-RNC identifier together with S-RNTI is a unique identifier of the RRC connection within PLMN. The combination of SRNC identifier and S-RNTI is referred to as U-RNTI (UTRAN Radio Network Temporary Identity) which is used on the radio interface.

C-RNTI for an UE is allocated by a controlling RNC and it is unique within one cell controlled by the allocating CRNC. C-RNTI can be reallocated when a UE accesses a new cell with the cell update procedure with a CCCH message.

Usage of UE identifiers

U-RNTI together with the S-RNC identifier is allocated to an UE having a RRC connection. It identifies the UE within UTRAN and is used as a UE identifier in cell update, URA update, RRC connection reestablishment and (UTRAN originated) paging messages and associated responses on the radio interface. The S-RNC identifier within the U-RNTI is used by the Controlling RNC to route the received uplink messages towards the Serving RNC. For the initial access two different methods of identification, a random number and a unique core network identifier are under consideration.

C-RNTI is used as a UE identifier in all other DCCH/DTCH common channel messages on the radio interface.

NAS identifiers are used as the UE identifier in the initial access CCCH message on the radio interface.

NOTE: — Initial access, when no RRC connection exists, needs further study. The following two methods could be applied: (i) The initial access message carried on RACH/FACH transport channels and CCCH logical channel includes a unique UE identity (e.g. TMSI + LAI). (ii) The initial access message includes a random number as temporary identity. The unique UE identity is then exchanged in a second phase after establishment of DCH transport channels on DCCH. Further contributions on this issue are invited.

6.2 UE connection to UTRAN

The different levels of UE connection to UTRAN are listed below:

- No signalling connection exist

The UE has no relation to UTRAN, only to CN. For data transfer, a signalling connection has to be established.

- Signalling connection exist

There is a RRC connection between UE and UTRAN. The UE position can be known on different levels:

- UTRAN Registration Area (URA) level

The UE position is known on UTRAN registration area level. URA is a specified set of cell which can be identified on the BCCH.

- Cell level

The UE position is known on cell level. Different channel types can be used for data transfer:

- Common transport channels (RACH, FACH, CPCH, DSCH),
- Dedicated transport channels (DCH); note that FAUSCH can be used to allocate a dedicated channel for data transmission.

7 UE modes

Two modes of operation are currently defined for the UE, idle mode and connected mode [5, 6].

After power on, the UE stays in idle mode until it transmits a request to establish an RRC connection. In idle mode the UE is identified by non-access stratum identities such as IMSI, TMSI and P-TMSI. In addition, the UTRAN has no own information about the individual idle mode UEs, and can only address e.g. all UEs in a cell or all UEs monitoring a specific paging occasion.

The connected mode is entered when the RRC connection is established. A RRC connection is established between the UE and a RNC called SRNC. The UE is assigned a radio network temporary identity (~~US-RNTI + S-RNC-ID~~ and possibly in addition C-RNTI) to be used as UE identity on common transport channels. RRC connection is within a UTRAN identified with the ~~US-RNTI + SRNC~~-identity.

The UE leaves the connected mode and returns to idle mode when the RRC connection is released or at RRC connection failure.

Reception of SMS cell broadcast can be done in both idle and connected mode.

8 Ciphering

The ciphering architecture is specified in TS33.102 [15].

8.1 Location of ciphering function in the UTRAN protocol architecture

The ciphering function is performed either in the RLC sub-layer or in the MAC sub-layer, according to the following rules :

- If a logical channel is expected to be supported on common transport channel and has to be ciphered, it can not use the transparent mode of RLC (it should use the UM RLC mode instead).
- If a logical channel is using a non-transparent RLC mode (AM or UM), ciphering is performed in the RLC sub-layer.
- If a logical channel is using the transparent RLC mode, ciphering is performed in the MAC sub-layer (MAC-d entity).

According to this model, ciphering is always performed in the SRNC, and the context needed for ciphering (CK, HFN, etc.) is only known in SRNC.

8.2 Input parameters to the ciphering algorithm

8.2.1 Overview

When ciphering is performed in the RLC sub-layer, it performs the encryption/decryption of the data part of an RLC PDU, based on XOR combining with a mask obtained as an output of the ciphering algorithm.

When ciphering is performed in the MAC sub-layer, it performs the encryption/decryption of a MAC SDU (RLC PDU), based on XOR operation with a mask obtained as an output of the ciphering algorithm.

Requirements and interfaces to the generic algorithm are specified in TS33.105 and described in the following figure.

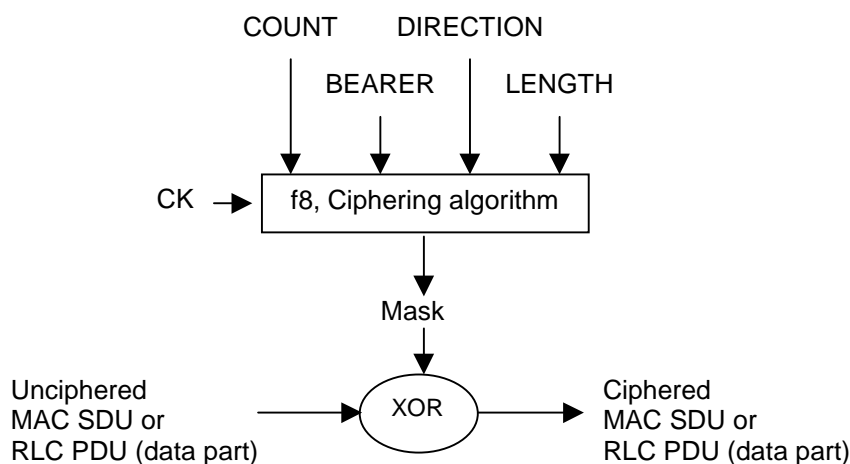


Figure 28 : Ciphering algorithm and parameters

8.2.2 Ciphering algorithms parameters

8.2.2.1 COUNT

COUNT shall be at least 32 bits long. It is composed of a 'long' sequence number called Hyper Frame Number HFN, and a 'short' sequence number, which depends on the ciphering mode, as described below. There is one ciphering sequence per logical channel using AM or UM mode plus one for all logical channels using the transparent mode (and mapped onto DCH).

The Hyper Frame Number (HFN) is initialised by the UE and signalled to the SRNC before ciphering is started. It is used as initial value for each ciphering sequence, and it is then incremented independently in each ciphering sequence, at each cycle of the 'short' sequence number. When a new RAB / logical channel is created during a RRC connection, the highest HFN value currently in use is incremented, and used as initial value for the ciphering sequence of this new logical channel. The highest HFN value used during a RRC connection (by any ciphering sequence) is stored in the USIM, and the UE initialises the new HFN for the next session with a higher number than the stored one. If no HFN value is available in USIM, the UE randomly selects a HFN value.

Depending on the requirements (e.g. how many successive RRC Connections can use the same ciphering key), it may be sufficient to use only the most significant bits of HFN in the re-initialisation (and set LSBs implicitly to zero). This may be necessary at least if the HFN value needs to be included in the RRC Connection Request message.

The 'short' sequence number is :

- For RLC TM on DCH, the CFN of the UEFN is used and is independently maintained in UE MAC and SRNC MAC-d. The ciphering sequence number is identical to the UEFN.
- For RLC UM and AM modes, the RLC sequence number is used, and is directly available in each RLC PDU at the receiver side (it is not ciphered). The HFN is incremented at each RLC SN cycle.

The figure below presents some examples of the different COUNT parameters, assuming various sizes for the 'short' sequence numbers. This proposal permits to exchange a unique HFN and also to use a unique CSN size, which should permit to reduce the implementation complexity of the ciphering function. In this example, the HFN is 25 bits long, and only the 20 MSB are used for the CSN of the RLC AM mode.

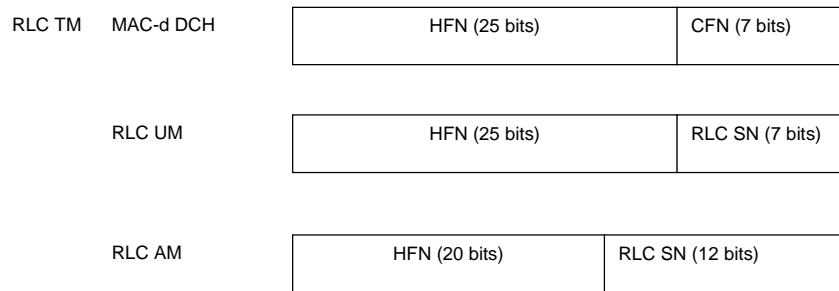


Figure 29 : Example of ciphering sequence number for all possible configurations

8.2.2.2 Ciphering key, CK

CK is established between the UE and SRNC during the authentication phase. In the two-key solution, the CS-domain bearers are ciphered with the most recent cipher key agreed between the user and the 3G-MSC (CK-CS). The PS-domain bearers are ciphered with the most recent cipher key agreed between the user and the 3G-SGSN (CK-PS). The signalling link is ciphered with the most recent cipher key established between the user and the network, i.e., the youngest of CK-CS and CK-PS.

To ensure performing the right ciphering function at the RLC and MAC layers, three conditions must be met:

- Each logical traffic channel can only transfer the information either from CS-domain or PS-domain, but not from both.
- RRC maps a given Radio Bearer to a given domain in order to derive the correct key to utilise for each RB.
- The RLC and MAC layers receive the Radio Bearer IDs and CKs they should use from RRC.

8.2.2.3 BEARER

This parameter indicates the logical channel identity, which shall be unique within a RRC connection. It is used as input parameter of the ciphering algorithm to ensure that the same ciphering mask is not applied to two or more parallel logical channels having the same CK and same COUNT. Each logical channel is ciphered independently.

8.2.2.4 Direction

This parameter indicates the transmission direction (uplink/downlink).

8.2.2.5 Length

This parameter indicates the length of the keystream block (mask) to be generated by the algorithm. It is not an input to the keystream generation function.

Annex A (informative): Protocol termination

This Annex describes protocol termination cases which have been excluded from the initial UMTS release. These cases are captured here for information. They potentially may be considered for future releases.

A.1 Alternative protocol termination for DCH

Figure A.1 and Figure A.2 show an alternative protocol termination case for DCH for the control and user planes, respectively, referred to as Case B. This case would be applicable when macrodiversity at RNC level is not applied, i.e. especially for DCH in the TDD mode.

Case B:

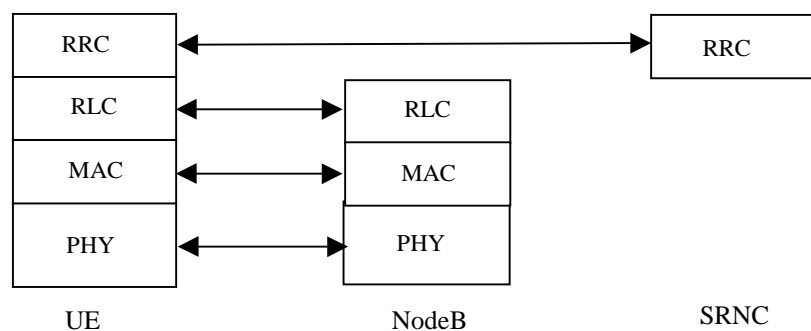


Figure A.1: Protocol Termination for DCH, control plane

Case B:

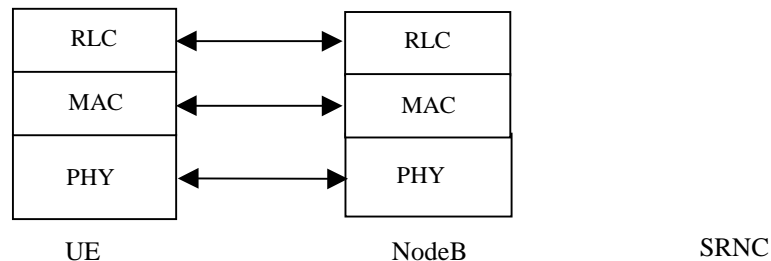


Figure A.2: Protocol Termination for DCH, user plane

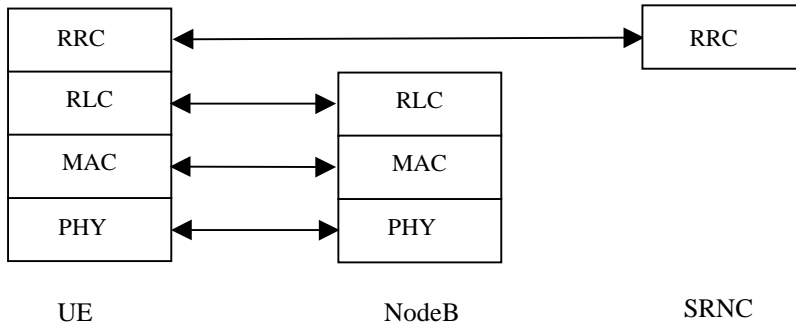
A.2 Protocol termination for RACH/FACH

Figure A.3 and Figure A.4 show two alternative protocol termination cases for RACH/FACH for the control and user planes, respectively, referred to as Case B and Case C.

In case B, the physical layer, MAC and RLC terminate in Node B.

In case C, the MAC sublayer is split between Node B, Controlling and Serving RNC. This would be the preferred solution when MAC in Node B shall provide acknowledgements to RACH messages and perform scheduling of FACH transmissions.

Case B:



Case C:

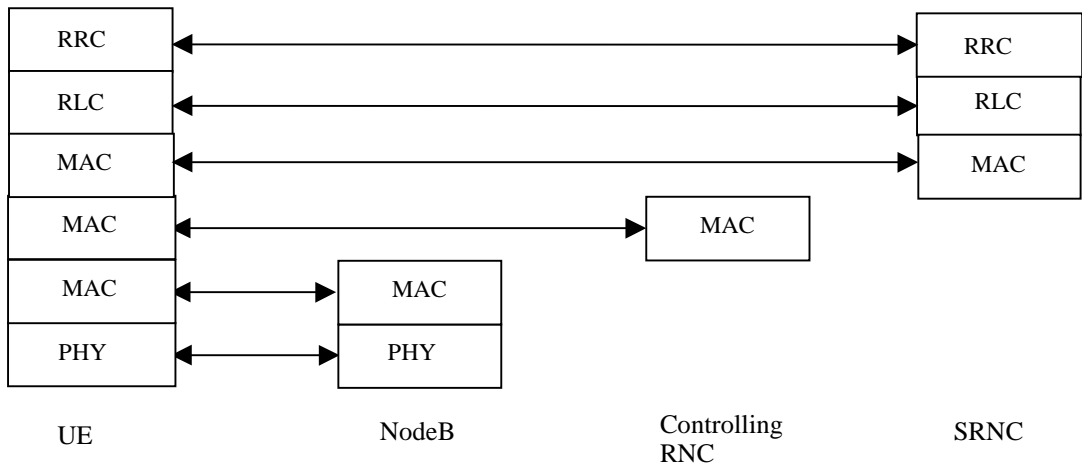
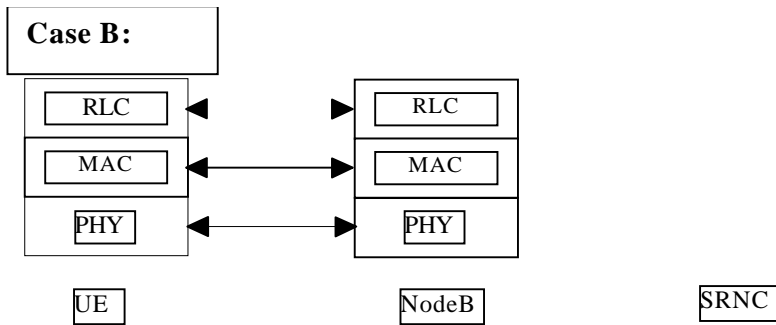


Figure A.3: Protocol Termination for RACH/FACH, control plane

Case B:



Case C:

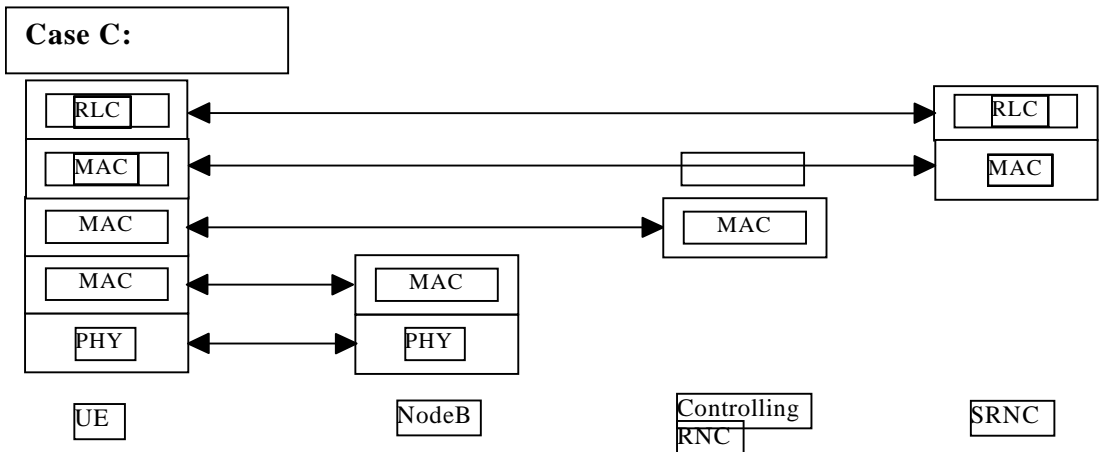


Figure A.4: Protocol Termination for RACH/FACH, user plane

A.3 Alternative Protocol termination for transport channel of type PCH

NOTE: — This section captures the initially assumed PCH termination option before it has been changed.

Since a Node B possibly can control several cells, the paging distribution signalling can be reduced if the Node B handles the distribution to each cell it controls. This results in less paging signalling on the Iub interface and thus lower processor load for distribution of paging. Protocol termination for the PCH shall therefore reside in the Node B. Note that the RLC sublayer is transparent for this transport channel type.

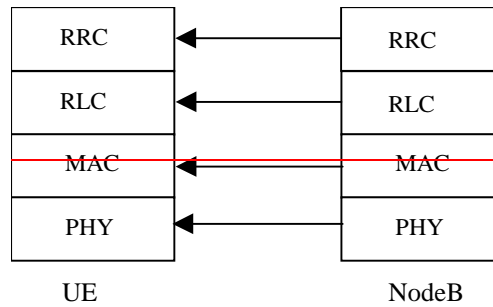


Figure A.5: Protocol termination for PCH

Annex B (informative): Change history

Change history					
TSG-RAN#	Version	CR	Tdoc RAN	New Version	Subject/Comment
RAN_03	-	-	RP-99259	3.0.0	Approved at TSG-RAN #3 and placed under Change Control
RAN_04	3.0.0	001	RP-99331	3.1.0	Addition of Common Packet Channel (CPCH)
RAN_04	3.0.0	002	RP-99332	3.1.0	Proposed modification of MAC functions
RAN_04	3.0.0	003	RP-99399	3.1.0	Addition of ciphering model description
RAN_05	3.1.0	004	RP-99460	3.2.0	Modification of C-RNTI definition
RAN_05	3.1.0	005	RP-99460	3.2.0	Addition of integrity protection function on RRC
RAN_05	3.1.0	006	RP-99460	3.2.0	Clarification on the usage of CCCH vs DCCH logical channels
RAN_05	3.1.0	007	RP-99460	3.2.0	Removal of Quick repeat function from RLC
RAN_05	3.1.0	008	RP-99575	3.2.0	Introduction of Packet Data Convergence Protocol (PDCP) in the protocol architecture
RAN_05	3.1.0	009	RP-99460	3.2.0	Deletion of Annex B (informative)
RAN_05	3.1.0	010	RP-99460	3.2.0	Correction of Ciphering specification (editorial correction)
RAN_05	3.1.0	011	RP-99460	3.2.0	Broadcast/Multicast functions
RAN_05	3.1.0	012	RP-99460	3.2.0	Description of Timing Advance mechanism for TDD
RAN_05	3.1.0	013	RP-99460	3.2.0	MAC primitives addition and modification (harmonization of TDD with FDD)
RAN_05	3.1.0	014	RP-99460	3.2.0	Impact of two cipher key solution on multiplexing at RLC and MAC level
RAN_05	3.1.0	015	RP-99460	3.2.0	Support of Different Access Service Classes (clarification of present text)
RAN_05	3.1.0	016	RP-99460	3.2.0	Support of USCH/DSCH signalling (introduction of SHCCH, see TS 25.321)
RAN_05	3.1.0	017	RP-99460	3.2.0	DCCH mapped to DCH in RLC transparent mode
RAN_05	3.1.0	018	RP-99576	3.2.0	Mapping of BCCH logical channel onto FACH transport channel
RAN_05	3.1.0	019	RP-99460	3.2.0	MAC PDU format for PCCH
RAN_05	3.1.0	020	RP-99460	3.2.0	Editorial changes regarding shared channels for TDD
RAN_05	3.1.0	021	RP-99460	3.2.0	Support of Uplink Synchronization Feature in UL channels (TDD only)
RAN_05	3.1.0	022	RP-99460	3.2.0	RRC functions
RAN_05	3.1.0	023	RP-99460	3.2.0	Modification of termination point for BCH
RAN_05	3.1.0	024	RP-99460	3.2.0	Updated description of UE modes
RAN_05	3.1.0	025	RP-99460	3.2.0	Enhanced protocol architecture

History

Document history		
V3.0.0	April 1999	Publication
V3.0.1	May 1999	Inclusion of editorial changes requested/agreed at TSG-RAN #3
V3.1.0	June 1999	CRs approved by TSG-RAN #4
V3.2.0	October 1999	CRs approved by TSG-RAN #5