

Technical Specification Group, Radio Access Network
Meeting #3, Yokohama, 21-23 April 1999

TSGR#3(99)193

Source: TSG RAN WG3
Title: S3.01 UTRAN Overall Description V0.1.0
Document for: Approval
Agenda Item: 6.3

3GPP

**3rd Generation Partnership Project (3GPP);
Technical Specification Group (TSG) <name>;
UTRAN Overall Description
[UMTS <spec>]**

Reference

<Workitem> (<Shortfilename>.PDF)

Keywords

<keyword[, keyword]>

3GPP

Postal address

Office address

Internet

secretariat@3gpp.org
Individual copies of this deliverable
can be downloaded from
<http://www.3gpp.org>

Copyright Notification

No part may be reproduced except as authorized by written permission.
The copyright and the foregoing restriction extend to reproduction in all media.

©
All rights reserved.

Contents

Intellectual Property Rights	8
Foreword	8
1 Scope	8
2 References.....	8
3 Definitions, symbols and abbreviations.....	8
3.1 Definitions	8
3.2 Abbreviations.....	9
3.3 Notation	10
4 General principles.....	10
5 UMTS General architecture.....	10
5.1 Overview.....	10
5.2 General protocols architecture	11
5.2.1 User plane.....	11
5.2.2 Control plane.....	11
6 UTRAN Architecture.....	12
6.1 UTRAN Identifiers	13
6.1.1 UE Identifiers	13
6.1.1.1 Usage of RNTI.....	13
6.1.2 Identifiers for dedicated resources within UTRAN.....	13
6.1.2.1 Radio Network Control Plane identifiers.....	13
6.1.2.2 Transport Network Control Plane identifiers.....	14
6.1.2.3 Binding identifier.....	14
7 UTRAN Functions description	14
7.1 List of functions	14
7.2 Functions description	15
7.2.1 Functions related to overall system access control.....	15
7.2.1.1 Admission Control.....	15
7.2.1.2 Congestion Control.....	15
7.2.1.3 System information broadcasting	15
7.2.2 Functions related to security and privacy	16
7.2.2.1 Use of Temporary Identifier	16
7.2.2.2 Radio channel ciphering	16
7.2.2.3 Radio channel deciphering.....	16
7.2.3 Functions related to handover	16
7.2.3.1 Radio environment survey	16
7.2.3.2 Handover decision	17
7.2.3.3 Macro-diversity control	17
7.2.3.4 Handover Control	17
7.2.3.5 Handover execution.....	17
7.2.3.6 Handover completion.....	17
7.2.3.7 SRNS Relocation.....	17
7.2.3.8 Inter-System handover.....	18
7.2.3.8.1 Handover from UMTS to GSM	18
7.2.3.8.2 Handover from GSM to UMTS	18
7.2.4 Functions related to radio resource management and control	18
7.2.4.1 Radio bearer connection set-up and release (Radio Bearer Control).....	18
7.2.4.2 Reservation and release of physical radio channels.....	18
7.2.4.3 Allocation and deallocation of physical radio channels.....	19
7.2.4.4 Packet data transfer over radio function	19
7.2.4.5 RF power control	19
7.2.4.5.1 UL OUTER LOOP POWER CONTROL.....	19
7.2.4.5.2 DL OUTER LOOP POWER CONTROL.....	19

7.2.4.5.3	UL INNER LOOP POWER CONTROL	20
7.2.4.5.4	DL INNER LOOP POWER CONTROL	20
7.2.4.5.5	UL OPEN LOOP POWER CONTROL	20
7.2.4.5.6	DL OPEN LOOP POWER CONTROL	20
7.2.4.6	Radio channel coding	20
7.2.4.7	Radio channel decoding	20
7.2.4.8	Channel coding control	20
7.2.4.9	Initial (random) access detection and handling	20
7.2.4.10	CN Distribution function for Non Access Stratum messages	20
8	Mobility Management	21
8.1	Dedicated Connection	21
8.2	Consequences for Mobility Handling	21
9	Synchronisation	21
9.1	SYNCHRONISATION MODEL	21
9.1.1	Time Alignment handling	22
9.1.2	[FDD — Frame synchronisation	22
9.1.3	Radio Interface Synchronisation	22
9.1.4	Ciphering handling	23
9.1.5	Time-of-day handling	23
9.2	Network Synchronisation	23
9.3	Radio interface synchronisation	23
9.4	[FDD — Frame Synchronisation]	25
9.4.1	General principles for frame synchronisation	25
9.4.2	UE Frame Number definition	26
9.4.3	CFN-CELL FN Offset	26
9.4.4	Use of frame numbers in uplink and downlink transmission	27
9.4.5	Timing adjustment in Iub/Iur interfaces	28
9.4.6	Initial synchronisation of the first dedicated branch	28
9.4.7	Initial synchronisation of a additional soft handover branches	28
9.4.8	Maintaining offset	28
9.4.9	Synchronisation of L1 configuration changes	29
9.5	Node Synchronisation	29
10	UTRAN OA&M Requirements	29
10.1	OA&M of Node B	29
10.1.1	Implementation Specific O&M	30
10.1.2	Logical O&M	30
11	UTRAN Interfaces	30
11.1	General Protocol Model for UTRAN Interfaces	30
11.1.1	General	30
11.1.2	Horizontal Layers	31
11.1.3	Vertical Planes	31
11.1.3.1	Control Plane	31
11.1.3.2	User Plane	31
11.1.3.3	Transport Network Control Plane	31
11.1.3.4	Transport Network User Plane	32
11.2	External Interfaces	32
11.2.1	Uu Interface	32
11.2.2	Iu Interface	32
11.2.2.1	Iu Overview	32
11.2.3	Streamlining functions	32
11.2.3.1	Access Network Triggered Streamlining	32
11.2.3.2	Core Network Triggered Streamlining	33
11.2.3.3	Iu Protocols	33
11.2.3.3.1	Radio Application Protocol	33
11.2.3.3.2	ALCAP Protocol	33
11.3	Internal Interfaces	34
11.3.1	Iur Interface	34
11.3.1.1	Iur Overview	34
11.3.1.2	Functional split over Iur	34

11.3.1.2.1	Macro-diversity Combining/Splitting	34
11.3.1.2.2	Control of Macro-diversity Combining/Splitting Topology	34
11.3.1.2.3	Handling of DRNS Hardware Resources	34
11.3.1.2.4	Allocation of Downlink Channelisation Codes	35
11.3.1.2.5	UpLink Power Control	35
11.3.1.2.6	Down-Link Power Control	35
11.3.1.2.7	Admission Control	35
11.3.1.3	DRNS logical Model over Iur	35
11.3.1.3.1	Overview	35
11.3.1.3.2	Logical Model Elements	36
11.3.1.3.2.1	Radio Link	36
11.3.1.3.2.2	Cell	36
11.3.1.3.2.3	Iur DCH Data Port	36
11.3.1.3.2.4	Iur CCH Data Port	36
11.3.1.3.2.5	Iur Control Port	36
11.3.1.4	Iur Protocols	36
11.3.2	Iub Interface	37
11.3.2.1	Iub Overview	37
11.3.2.2	Functional split over Iub	37
11.3.2.2.1	Traffic management	38
11.3.2.2.1.1	Management of dedicated resources	38
11.3.2.2.1.2	Management of common radio channels	38
11.3.2.2.1.3	Control of traffic flows	38
11.3.2.2.2	Macro-diversity Combining of Radio Frames	38
11.3.2.2.3	Control of Macro-diversity Combining/Splitting Topology	38
11.3.2.2.4	Soft Handover Decision	38
11.3.2.2.5	Handling of Node B Hardware Resources	38
11.3.2.2.6	Allocation of Downlink Channelisation Codes	38
11.3.2.2.7	UpLink Power Control	38
11.3.2.2.8	Down-Link Power Control	38
11.3.2.2.9	Admission Control	38
11.3.2.3	Node B logical Model over Iub	39
11.3.2.3.1	Elements of the logical model	39
11.3.2.3.1.1	Radio Network Logical resources	39
11.3.2.3.1.2	Transport network logical resources	39
11.3.2.3.1.3	Node B Communication Contexts for Dedicated Channels	40
11.3.2.3.1.4	Common Channels	40
11.3.2.4	Iub Protocols	40
11.4	Protocol Model (Informative)	41
11.4.1	RACH Transport Channel	41
11.4.2	FACH Transport Channel	42
11.4.3	DCH Transport Channel	43
12	UTRAN Transport bearers	44
12.1	Iu Transport bearers	44
12.1.1	Radio Application Control Plane Transport bearers	44
12.1.2	Transport Network Control Plane Transport bearers	44
12.1.3	User Plane Transport bearers	44
12.2	Iur Transport bearers	44
12.2.1	Radio Application Control Plane Transport bearers	44
12.2.1.1	Addressing of RNSs over the Iur Interface	45
12.2.2	Transport Network Control Plane Transport bearers	45
12.2.3	User Plane Transport bearers	45
12.3	Iub Transport bearers	45
12.3.1	Radio Application Control Plane Transport bearers	45
12.3.2	Transport Network Control Plane Transport bearers	45
12.3.3	User Plane Transport bearers	45
13	UTRAN Performance Requirements	45
13.1	UTRAN delay requirements	45
	History	45

Intellectual Property Rights

Foreword

This Technical Specification has been produced by the 3rd Generation Partnership Project, Technical Specification Group <TSG name>.

The contents of this TS may be subject to continuing work within the 3GPP and may change following formal TSG approval. Should the TSG modify the contents of this TS, it will be re-released with an identifying change of release date and an increase in version number as follows:

Version m.t.e

where:

m indicates [major version number]

x the second digit is incremented for all changes of substance, i.e. technical enhancements, corrections, updates, etc.

y the third digit is incremented when editorial only changes have been incorporated into the specification.

Scope

This document describes the overall architecture of the UTRAN, including internal interfaces and assumptions on the radio and Iu interfaces.

References

This text block applies to ALL deliverables. The sub-division below applies optionally to TSs.

The following documents contain provisions which, through reference in this text, constitute provisions of the present document.

- References are either specific (identified by date of publication, edition number, version number, etc.) or non-specific.
- For a specific reference, subsequent revisions do not apply.
- For a non-specific reference, the latest version applies.
- A non-specific reference to an ETS shall also be taken to refer to later versions published as an EN with the same number.

[1] Merged UTRAN Architecture Description V0.0.2

[2] UMTS 23.10 : UMTS Access Stratum Services and Functions

Editor's Note : [1] is a temporary reference only to ease the definition of what should be in the different sections of this document.

Definitions, symbols and abbreviations

• Definitions

Editor's Note : Cleaned version of section 5.1 from [1] with a reference to a more general vocabulary document

ALCAP

Generic name for the transport signalling protocols used to set-up and tear-down transport bearers.

Cell

A cell is defined by a cell identity broadcasted on one physical channel.

A Cell is either FDD or TDD mode.

Iu

Interconnection point between the RNS and the Core Network. It is also considered as a reference point.

Iub

Interface between the RNC and the Node B.

Iur

A logical interface between two RNS. Whilst logically representing a point to point link between RNSs, the physical realisation may not be a point to point link.

Logical Model

A Logical Model defines an abstract view of a network or network element by means of information objects representing network element, aggregations of network elements, the topological

	relationship between the elements, endpoints of connections (termination points), and transport entities (such as connections) that transport information between two or more termination points. The information objects defined in the Logical Model are used, among others, by connection management functions. In this way, a physical implementation independent management is achieved.
Node B	A logical node responsible for radio transmission / reception in one or more cells to/from the UE. Terminates the Iub interface towards the RNC.
Radio Network Controller	This equipment in the RNS is in charge of controlling the use and the integrity of the radio resources.
Controlling RNC	A role an RNC can take with respect to a specific set of Node B's. There is only one Controlling RNC for any Node B. The Controlling RNC has the overall control of the logical resources of its node B's.
Radio Network Subsystem	Either a full network or only the access part of a UMTS network offering the allocation and the release of specific radio resources to establish means of connection in between an UE and the UTRAN. A Radio Network Subsystem is responsible for the resources and transmission/reception in a set of cells.
Serving RNS	A role an RNS can take with respect to a specific connection between an UE and UTRAN. There is one Serving RNS for each UE that has a connection to UTRAN. The Serving RNS is in charge of the radio connection between a UE and the UTRAN. The Serving RNS terminates the Iu for this UE.
Drift RNS	The role an RNS can take with respect to a specific connection between an UE and UTRAN. An RNS that supports the Serving RNS with radio resources when the connection between the UTRAN and the UE need to use cell(s) controlled by this RNS is referred to as Drift RNS
Radio Access Network Application Part	Radio Network Signalling over the Iu.
Radio Network Subsystem Application Part	Radio Network Signalling over the Iur.
RRC Connection	A point-to-point bi-directional connection between RRC peer entities on the UE and the UTRAN sides, respectively. An UE has either zero or one RRC connection. See [6].
User Equipment	A Mobile Equipment with one or several UMTS Subscriber Identity Module(s).
UMTS Terrestrial Radio Access Network	UTRAN is a conceptual term identifying that part of the network which consists of RNCs and Node Bs between Iu an Uu. The concept of UTRAN instantiation is currently undefined.
Radio Link	The set of (radio) physical channels comprised in a transmission path between a UE to one UTRAN access point. See [6].

• Abbreviations

Editor's Note : Cleaned version of section 5.2 from [1]

CN	Core Network
DRNS	Drift RNS
RANAP	Radio Access Network Application Part
RNC	Radio Network Controller
RNS	Radio Network Subsystem
RNSAP	Radio Network Subsystem Application Part
SRNS	Serving RNS
UE	User Equipment
UMTS	Universal Mobile Telecommunication System
USIM	UMTS Subscriber Identity Module
UTRAN	UMTS Terrestrial Radio Access Network

• Notation

Parts of the document apply only to one mode, FDD or TDD. Any such area will be tagged by [FDD — xxxxxxxxx] and [TDD — yyyyyyyyyy] respectively. The tag applies to the text until the closing bracket.

General principles

Editor's Note : This section will list the fundamental principles guiding the work on architecture definition. The content of section 7 of [1] will be put there. Section 12.5.2.1 of [1] "Iub General principles" should also be put in this section after revisiting it for more generality.

The general principles guiding the definition of UTRAN Architecture as well as the UTRAN interfaces are the following :

- Logical separation of signalling and data transport networks
- UTRAN and CN functions are fully separated from transports functions. Addressing scheme used in UTRAN and CN shall not be tied to the addressing schemes of Transport functions. The fact that some UTRAN or CN function resides in the same equipment as some transport functions does not make the transport functions part of the UTRAN or the CN.
- Macro diversity is fully handled in the UTRAN
- Mobility for RRC connection is fully controlled by the UTRAN.

Note : Handover to other Access Networks is FFS.

Editor's Note : the following part is an editorial proposal for section 12.5.2.1 of [1] revisited for more generality

- When defining the UTRAN interfaces the following principles were followed :The functional division across the interfaces shall have as few options as possible.
- Interfaces should be based on a logical model of the entity controlled through this interface

Editor's Note : The following part is an editorial proposal extracted from section 13.1 of [1]and made more general.

Transport Network Control Plane is a functional plane in the interfaces protocol structure that is used for the transport bearer management. The actual signalling protocol that is in use within the Transport Network Control Plane depends on the underlying transport layer technology. The intention is not to specify a new UTRAN specific Application Part for the Transport Network Control Plane but to use signalling protocols standardised in other groups (if needed) for the applied transport layer technology.

UMTS General architecture

• Overview

Figure 1. shows a simplified UMTS architecture with the external reference points and interfaces to the UTRAN. The architecture is based on document [1].

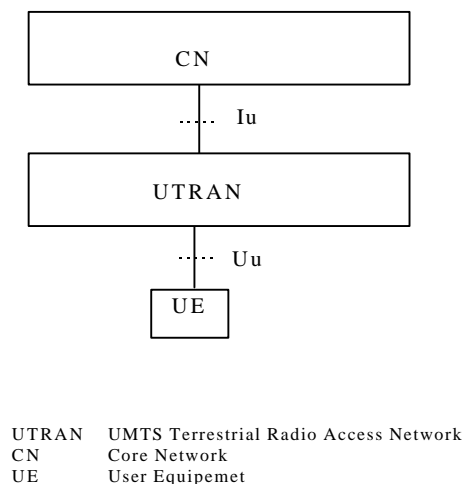


Figure 1. UMTS Architecture

• General protocols architecture

The protocols over Uu and Iu interfaces are divided into two structures:

- **User plane protocols**

These are the protocols implementing the actual radio access bearer service, i.e. carrying user data through the access stratum.

- **Control plane protocols**

These are the protocols for controlling the radio access bearers and the connection between the UE and the network from different aspects (including requesting the service, controlling different transmission resources, handover & streamlining etc.). Also a mechanism for transparent transfer of NAS messages is included.

- **User plane**

The radio access bearer service is offered from SAP to SAP by the Access Stratum. The figure below shows the protocols on the Uu and Iu interfaces that linked together provide this radio access bearer service.

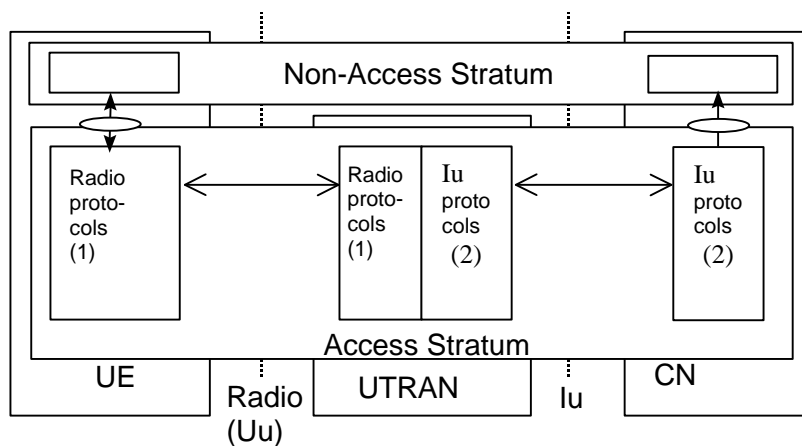


Figure 2. Iu and Uu User plane

(1) To be defined by TSG RAN WG2

(2) The protocols are defined in documents S3.1x (description of Iu interface).

- **Control plane**

The figure below shows the control plane (signalling) protocol stacks on Iu and Uu interfaces.

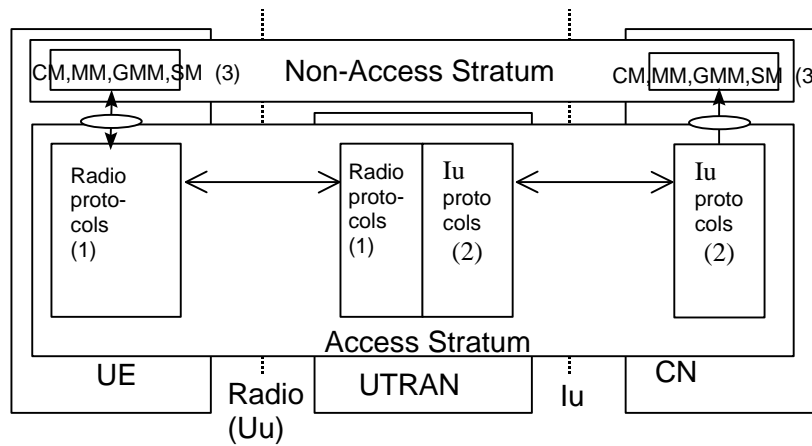


Figure 3. Iu and Uu Control plane

(1) To be defined by TSG RAN WG2 group

(2) The protocol is defined in documents S3.1x.(Description of Iu interface).(3) **CM,MM,GMM,SM**: This exemplifies a set of NAS control protocols between UE and CN. There may be different NAS protocol stacks in parallel. The evolution of the protocol architecture for these protocols is FFS.

Note : Both the Radio protocols and the Iu protocols contain a mechanism to transparently transfer NAS messages.

UTRAN Architecture

The UTRAN consists of a set of Radio Network Subsystems connected to the Core Network through the Iu. A RNS consists of a Radio Network Controller and one or more abstract entities currently called Node B. Node B are connected to the RNC through the Iub interface.

A Node B can support FDD mode, TDD mode or dual-mode operation.

The RNC is responsible for the Handover decisions that require signalling to the UE.

The RNC comprises a combining/splitting function to support macro diversity between different Node B.

The Node B can comprise an optional combining/splitting function to support macro diversity inside a Node B.

Inside the UTRAN, the RNCs of the Radio Network Subsystems can be interconnected together through the Iur. Iu(s) and Iur are logical interfaces. Iur can be conveyed over physical direct connection between RNCs or via any suitable transport network.

The UTRAN architecture is shown in Figure 4.

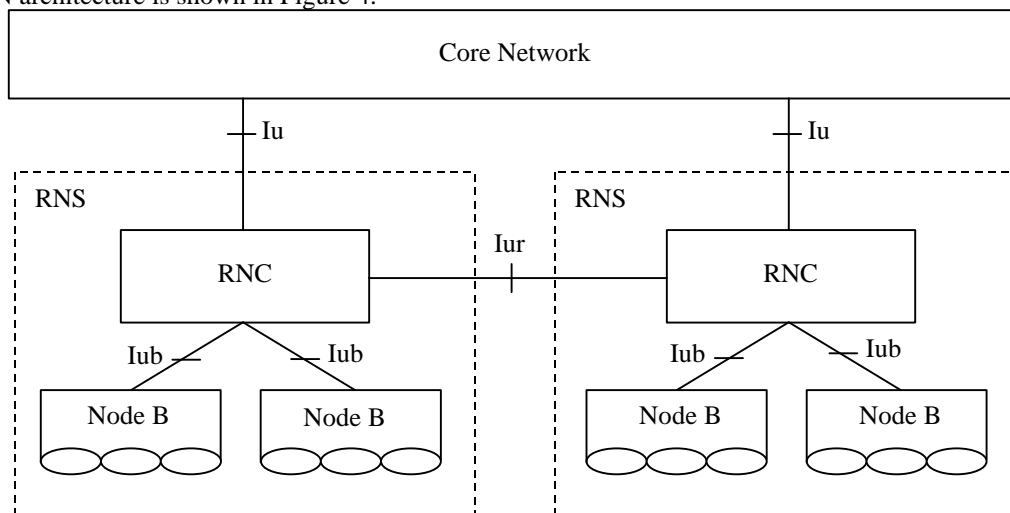


Figure 4. UTRAN Architecture

Each RNS is responsible for the resources of its set of cells.

For each connection between a User Equipment and the UTRAN, One RNS is the Serving RNS. When required, Drift RNSs support the Serving RNS by providing radio resources as shown in Figure 5. The role of an RNS (Serving or Drift) is on a per connection basis between a UE and the UTRAN.

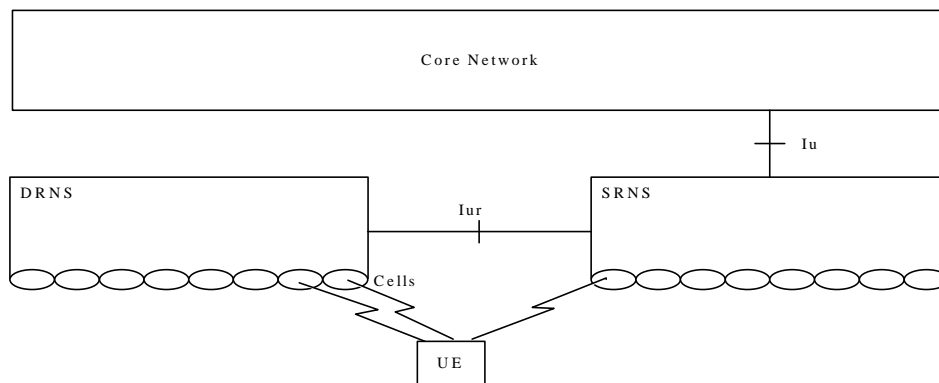


Figure 5. Serving and Drift RNS

- UTRAN Identifiers
- UE Identifiers

Note : This RNTI definition and usage needs to be confirmed by 3GPP TSG RAN WG2.

Radio Network Temporary Identities (RNTI) are used as UE identifiers within UTRAN and in signalling messages between UE and UTRAN.

Two types of RNTI exist. One is used within the Serving RNC and it is denoted by Serving RNC RNTI (s-RNTI), the other is used within C-RNC, when applicable, and it is denoted by Controlling RNC RNTI (c-RNTI).

s-RNTI is allocated for all UEs having a RRC connection, it is allocated by the Serving RNC and it is unique within the Serving RNC. s-RNTI is reallocated always when the Serving RNC for the RRC connection is changed.

In addition, each RNC has a unique identifier within the PLMN, denoted by RNC identifier (RNC-ID).

c-RNTI for an UE is allocated by each controlling RNC through which UE is able to communicate on DCCH. c-RNTI is unique within the allocating C-RNC. c-RNTI is always allocated when a new UE context is created to a RNC. UE is aware of its c-RNTI only when in RACH/FACH state, while c-RNTI is used as a UE identifier within UTRAN in all UE states. Serving RNC is always aware of all c-RNTIs allocated for the UE.

- Usage of RNTI

S-RNTI together with the RNC-ID is used as a UE identifier for the first cell access (at cell change) when a RRC connection exists for this UE and for UTRAN originated paging including associated response messages on the air interface. RNC-ID is used by Controlling RNC to route the received uplink messages towards the Serving RNC.

Editor's Note : This paragraph has been reformulated because the straight removal of the list of procedures made the sentence meaningless.

Note : For the initial access two different methods of identification, a random number and a unique core network UE identifier are under consideration.

C-RNTI is used as a UE identifier in all other DCCH/DTCH common channel messages on air interface. c-RNTI is also used as a UE identifier in the connectionless RNSAP protocol messages on the Iur interface.

- Identifiers for dedicated resources within UTRAN

- Radio Network Control Plane identifiers

Each addressable object in each reference point has an application part level identifier. This identifier is allocated autonomously by the entity responsible for initiation of the setup of the object. This application part identifier will be used as a reference to the object that is setup. Both ends of the reference point shall memorise the AP Identifier during the lifetime of the object. Application part identifier can be related to a specific ALCAP identifier and that relationship shall also be memorised by both ends.

Table below lists the basic AP level identifiers in each reference point.

Object	Identifier	Abbreviation	Valid for
Radio Access Bearer	Radio Access Bearer ID	RAB-ID	Iu

Dedicated Transport channel	DCH-ID	DCH-ID	Iur, Iub
-----------------------------	--------	--------	----------

• Transport Network Control Plane identifiers

ALCAP identifier is used only in Transport Network Control plane (ALCAP protocol, if exist) and may be used in User Plane in the actual data transmission using the transport link. ALCAP identifier identifies the transport link according to the naming conventions defined for the transport link type in question. Both ends of the reference point of the ALCAP shall memorise the ALCAP identifier during the lifetime of the transport link. Each ALCAP identifier can be binded to an Application Part identifier.

Following table indicates examples of the identifiers used for different transmission link types.

Transmission link type	ALCAP Identifier
AAL2	Signalling Association ID (SAID)
GTP over IP	IP address + GTP identifier (ffs.)

• Binding identifier

Binding Identifier is used to initialise the linkage between ALCAP and Application Part (RANAP, RNSAP, NBAP) identifiers. Binding identifier can be used both in Radio Network Control plane Application Part protocols and in Transport Network Control Plane's ALCAP protocol.

Binding ID binds the Radio and Transport Network Control plane identifiers together. To ensure maximal independence of those two planes, the binding ID should be used only when necessary: Binding ID shall thus be used only in Radio Network Control plane Application Part messages in which a new association between the planes is created and in ALCAP messages creating new transmission links.

Binding ID for each transmission link shall be allocated before the setup of that transmission link. Reserved Binding IDs and the associated transport link shall be memorised by both peers of each reference point.

The Binding ID is sent on one direction using the Application Part protocol and is return in the other direction by the ALCAP protocol.

Following table indicates the binding identifier allocating entity in each interface.

Reference point	Allocating entity	Application part message including Binding-ID
Iu	CN	Request from CN
Iur	DRNC	Response to the request from SRNC
Iub	Node-B	Response to the request from DRNC

UTRAN Functions description

• List of functions

Note : This list of functions, their classification and definitions is an initial list, classification and definitions that will be further refined.

- Functions related to overall system access control
 - Admission Control
 - Congestion Control
 - System information broadcasting
- Functions related to security and privacy
 - Use of Temporary Identifier
 - Radio channel ciphering
 - Radio channel deciphering
- Functions related to handover
 - Radio environment survey
 - Handover decision

- Macro-diversity control
- Handover Control
- Handover execution
- Handover completion
- SRNS Relocation
- Inter-System handover
- Functions related to radio resource management and control
 - Radio bearer connection set-up and release (Radio Bearer Control)
 - Reservation and release of physical radio channels
 - Allocation and deallocation of physical radio channels
 - Packet data transfer over radio function
 - RF power control
 - RF power setting
 - Radio channel coding
 - Radio channel decoding
 - Channel coding control
 - Initial (random) access detection and handling
 - CN Distribution function for Non Access Stratum messages

• Functions description

• Functions related to overall system access control

System access is the means by which a UMTS user is connected to the UMTS in order to use UMTS services and/or facilities. User system access may be initiated from either the mobile side, e.g. a mobile originated call, or the network side, e.g. a mobile terminated call.

• Admission Control

The purpose of the admission control is to admit or deny new users, new radio access bearers or new radio links (for example due to handover). The admission control should try to avoid overload situations and base its decisions on interference and resource measurements. The admission control is employed at for example initial UE access, RAB assignment/reconfiguration and at handover. These cases may give different answers depending on priority and situation.

Note : This admission Control function is related to Radio Resources

• Congestion Control

The task of congestion control is to monitor, detect and handle situations when the system is reaching a near overload or an overload situation with the already connected users. This means that some part of the network has run out, or will soon run out of resources. The congestion control should then bring the system back to a stable state as seamless as possible.

Note : This admission Control function is related to Radio Resources

• System information broadcasting

This function provides the mobile station with the information which is needed to camp on a cell and to set up a

connection in idle mode and to perform a handover or route packets in communication mode. The tasks may include :

- access rights
- frequency bands used
- configuration of logical channels, PCH, FACH and RACH channel structure of the cell etc.
- network and cell identities
- information for location registration purposes
- UE idle mode cell selection and cell re-selection criteria
- UE transmission power control information
- UE access and admission control information

Because of its close relation to the basic radio transmission and the radio channel structure, the basic control and synchronisation of this function should be located in UTRAN.

- **Functions related to security and privacy**

- **Use of Temporary Identifier**

UTRAN shall, as far as possible, use a temporary identifier instead of the permanent CN assigned identity (e.g. IMSI, International Mobile Subscriber Identity).

This function is located in the UE and in the UTRAN

- **Radio channel ciphering**

This function is a pure computation function whereby the radio transmitted data can be protected against a non-authorized third-party. Ciphering may be based on the usage of a session-dependent key, derived through signalling and/or session dependent information.

This function is located in the UE and in the UTRAN.

- **Radio channel deciphering**

This function is a pure computation function which is used to restore the original information from the ciphered information. The deciphering function is the complement function of the ciphering function, based on the same ciphering key.

This function is located in the UE and in the UTRAN.

- **Functions related to handover**

- **Radio environment survey**

This function performs measurements on radio channels (current and surrounding cells) and translates these measurements into radio channel quality estimates. Measurements may include :

1. received signal strengths (current and surrounding cells),
2. estimated bit error ratios, (current and surrounding cells),
3. estimation of propagation environments (e.g. high-speed, low-speed, satellite, etc.),
4. transmission range (e.g. through timing information),
5. Doppler shift,
6. synchronisation status,
7. Received interference level,
8. Total DL transmission power per cell.

In order for these measurements and the subsequent analysis to be meaningful, some association between the

measurements and the channels to which they relate should be made in the analysis. Such association may include the use of identifiers for the network, the base station, the cell (base station sector) and/or the radio channel. This function is located in the UE and in the UTRAN.

- **Handover decision**

This function consists of gathering estimates of the quality of the radio channels (including estimates from surrounding cells) from the measuring entities and to assess the overall quality of service of the call. The overall quality of service is compared with requested limits and with estimates from surrounding cells. Depending on the outcome of this comparison, the *macro-diversity control function* or the *handover control function* may be activated.

This function may also include functionalities to assess traffic loading distribution among radio cells and to decide on handing over traffic between cells for traffic reasons.

The location of this function is depending on the handover principle chosen.

- if network only initiated handover, this function is located in the RNC;
- if mobile only initiated handover, this function is located in the UE;
- if both the mobile and the network can initiate handover, this function will be located in both the RNC and the UE.

- **Macro-diversity control**

Upon request of the *Handover Decision function*, this function controls the duplication/ replication of information streams to receive/ transmit the same information through multiple physical channels (possibly in different cells) from/ towards a single mobile terminal.

This function also controls the combining of information streams generated by a single source (diversity link), but conveyed via several parallel physical channels (diversity sub-links). Macro diversity control should interact with channel coding control in order to reduce the bit error ratio when combining the different information streams. This function controls macro-diversity execution which is located at the two endpoints of the connection element on which macro-diversity is applied (diversity link), that is at the access point and also at the mobile termination .

In some cases, depending on physical network configuration, there may be several entities which combine the different information streams, e.g. one entity combines information streams on radio signal basis, another combines information streams on wireline signal basis.

This function is typically located in the UTRAN. However, depending on the physical network architecture, some bit stream combining function within the CN may have to be included in the control.

- **Handover Control**

In the case of switched handover, this function is responsible for the overall control of the handover execution process. It initiates the handover execution process in the entities required and receives indications regarding the results. Due to the close relationship with the radio access and the Handover Decision function, this function should be located in the UTRAN.

- **Handover execution**

This function is in control of the actual handing over of the communication path. It comprises two sub-processes: *handover resource reservation* and *handover path switching*. The *handover resource reservation* process will reserve and activate the new radio and wireline resources that are required for the handover. When the new resources are successfully reserved and activated, the *handover path switching* process will perform the final switching from the old to the new resources, including any intermediate path combination required, e.g. radio link addition and radio link deletion in the soft handover case.

This function is located in the UTRAN for UTRAN internal path switching and in the CN for CN path switching.

- **Handover completion**

This function will free up any resources that are no longer needed. A re-routing of the call may also be triggered in order to optimise the new connection.

This function is located both in the UTRAN and in the CN.

- **SRNS Relocation**

The SRNS Relocation function coordinates the activities when the SRNS role is to be taken over by another RNS. SRNS relocation implies that the Iu interface connection point is moved to the new RNS.

This function is located in the RNC and the CN.

- **Inter-System handover**

The Inter-system handover function enables handover to and from e.g. GSM BSS, PDC system. This function is located in the UTRAN, the UE and the CN.

- **Handover from UMTS to GSM**

In case of inter-system environment, UTRAN transmits a list of GSM neighbour cells to the mobile. Based on measurements made by the dual mode UE, the RNC can decide to perform a handover to GSM cells.

After this decision, RNC sends one target cell in Hard Handover Required message to the MSC. Since, the MSC knows the complete configuration on a cell basis of each BSC connected to him, he can transfer as in GSM the Request to handover to the target BSC. The BSC activates a new channel on the target cell and prepare Handover Command message which will be transferred to the UE transparently through the RNC. After the successful execution of the handover, resources on source RNC are released.

- Handover from UMTS to GSM may need service re-negotiation: this point is FFS

- **Handover from GSM to UMTS**

Handover from GSM to UMTS may occur for two reasons:

- radio coverage reason
- service reason : this point is FFS

In case of inter-system environment, BSC broadcasts a list of UMTS neighbour cells in System Information message. A dual mode UE arriving in boarder of GSM coverage will perform measurements on UMTS cells. Based on these measurements, the BSC can decide to perform a handover to UMTS cells

Then, the BSC¹ sends a Handover Required message with a cell list to the MSC. The MSC is not able to determine the location of the requested UMTS cells only with cell identity. At least, source BSC shall identify a UMTS cell with RNC and cell identifiers, so that the MSC knows to which RNC, he have to send Hard Handover Request message. On receipt of this message, the RNC activates a channel on the requested cell and prepares Handover Command which is sent transparently to the UE through the BSC. After the successful execution of the handover, resources on source BSC are released.

- **Functions related to radio resource management and control**

Radio resource management is concerned with the allocation and maintenance of radio communication resources. UMTS radio resources must be shared between circuit transfer mode services and packet transfer modes services (i.e. Connection-oriented and/or connectionless-oriented services).

- **Radio bearer connection set-up and release (Radio Bearer Control)**

This function is responsible for the control of connection element set-up and release in the radio access sub network. The purpose of this function is

1. to participate in the processing of the end-to-end connection set-up and release,
2. and to manage and maintain the element of the end-to-end connection, which is located in the radio access sub network.

In the former case, this function will be activated by request from other functional entities at call set-up/release. In the latter case, i.e. when the end-to-end connection has already been established, this function may also be invoked to cater for in-call service modification or at handover execution. This function interacts with the *reservation and release of physical (radio) channels* function.

This function is located both in the UE and in the RNC.

- **Reservation and release of physical radio channels**

This function consists of translating the connection element set-up or release requests into physical radio channel requests, reserving or releasing the corresponding physical radio channels and acknowledging this reservation/ release to the requesting entity.

This function may also perform physical channel reservation and release in the case of a handover. Moreover, the amount of radio resource required may change during a call, due to service requests from the user or macro-diversity requests. Therefore, this function must also be capable of dynamically assigning physical channels during a call.

Note: This function may or may not be identical to the function allocation and deallocation of physical radio channels. The distinction between the two functions is required e.g. to take into account sharing a physical radio

¹ The behaviour of the BSC is given as an example since it is out of the scope of ARC EG

channel by multiple users in a packet data transfer mode.

This function is located in the UTRAN.

- **Allocation and deallocation of physical radio channels**

This function is responsible, once physical radio channels have been reserved, for actual physical radio channel usage, allocating or deallocating the corresponding physical radio channels for data transfer. Acknowledging this allocation/deallocation to the requesting entity is for further study.

Note: This function may or may not be identical to the function reservation and release of physical radio channels. The distinction between the two functions is required e.g. to take into account sharing a physical radio channel by multiple users in a packet data transfer mode.

This function is located in the UTRAN.

- **Packet data transfer over radio function**

This function provides packet data transfer capability across the UMTS radio interface. This function includes procedures which:

1. provide packet access control over radio channels,
2. provide packet multiplexing over common physical radio channels,
3. provide packet discrimination within the mobile terminal,
4. provide error detection and correction,
5. provide flow control procedures.

This function is located in both the UE and in the UTRAN.

It encompasses :

1. Channel type switching : UTRAN shall have the possibility to dynamically, during an RRC connection, switch between a Common Transport and a Dedicated Transport Channel. This to optimise the radio resource utilisation and to achieve the QoS requested by the packet data user.
2. Channel rate modification : UTRAN shall have the possibility to dynamically, during an RRC connection, modify the channel rate of a Dedicated Transport Channel. This to optimise the radio resource utilisation and to achieve the QoS requested by the packet data user.
3. Packet scheduling : When performing data transfer, it shall be possible to schedule data transmissions according to QoS.
4. Retransmission : For assured mode radio access bearers, UTRAN shall support retransmission of unacknowledged data over the radio interface. This, in order to assure a certain packet loss probability.
5. Packet discard : If, for example, the communication over the radio interface fails and parts of an Access Stratum SDU (e.g. an IP packet) are lost, or due to congestion within UTRAN a part of an Access Stratum SDU is dropped, UTRAN shall discard the whole Access Stratum SDU. This is to ensure that radio resources are not unnecessarily wasted. It is expected that higher layers (transport protocols) will perform the necessary retransmissions.
6. Avoidance of IP fragmentation; UTRAN shall be able to handle Access Stratum SDUs up to a size which is large enough to avoid IP fragmentation in most cases.

- **RF power control**

This group of functions controls the level of the transmitted power in order to minimise interference and keep the quality of the connections. It consist of the following functions: UL Outer Loop Power Control, DL Outer Loop Power Control, UL Inner Loop Power Control, DL Inner Loop Power Control, UL Open Loop Power Control and DL Open Loop Power Control.

- **UL OUTER LOOP POWER CONTROL**

The UL Outer Loop Power Control sets the target quality value for the UL Inner Loop Power Control. It receives input from quality estimates of the transport channel. The UL outer loop power control is mainly used for a long-term quality control of the radio channel.

This function is located in the UTRAN.

- **DL OUTER LOOP POWER CONTROL**

The DL Outer Loop Power Control sets the target quality value for the DL inner loop power control. It receives input from quality estimates of the transport channel, measured in the UE. The DL outer loop power control is mainly used

for a long-term quality control of the radio channel.

This function is located mainly in the UE, but some control parameters are set by the UTRAN.

- **UL INNER LOOP POWER CONTROL**

The UL Inner Loop Power Control sets the power of the uplink dedicated physical channels. It receives the quality target from UL Outer Loop Power Control and quality estimates of the uplink dedicated physical control channel. The power control commands are sent on the downlink dedicated physical control channel to the UE.

This function is located in both the UTRAN and the UE.

- **DL INNER LOOP POWER CONTROL**

The DL Inner Loop Power Control sets the power of the downlink dedicated physical channels. It receives the quality target from DL Outer Loop Power Control and quality estimates of the downlink dedicated physical control channel. The power control commands are sent on the uplink dedicated physical control channel to the UTRAN.

This function is located in both the UTRAN and the UE.

- **UL OPEN LOOP POWER CONTROL**

The UL Open Loop Power Control sets the initial power of the UE, i.e. at random access. The function uses UE measurements and broadcasted cell/system parameters as input.

This function is located in both the UTRAN and the UE.

- **DL OPEN LOOP POWER CONTROL**

The DL Open Loop Power Control sets the initial power of downlink channels. It receives downlink measurement reports from the UE.

This function is located in both the UTRAN and the UE.

- **Radio channel coding**

This function introduces redundancy into the source data flow, increasing its rate by adding information calculated from the source data, in order to allow the detection or correction of signal errors introduced by the transmission medium.

The channel coding algorithm(s) used and the amount of redundancy introduced may be different for the different types of logical channels and different types of data.

This function is located in both the UE and in the UTRAN.

- **Radio channel decoding**

This function tries to reconstruct the source information using the redundancy added by the channel coding function to detect or correct possible errors in the received data flow. The channel decoding function may also employ a priori error likelihood information generated by the demodulation function to increase the efficiency of the decoding operation. The channel decoding function is the complement function to the channel coding function.

This function is located in both the UE and in the UTRAN.

- **Channel coding control**

This function generates control information required by the channel coding/ decoding execution functions. This may include channel coding scheme, code rate, etc.

This function is located in both the UE and in the UTRAN.

- **Initial (random) access detection and handling**

This function will have the ability to detect an initial access attempt from a mobile station and will respond appropriately. The handling of the initial access may include procedures for a possible resolution of colliding attempts, etc. The successful result will be the request for allocation of appropriate resources for the requesting mobile station.

This function is located in the UTRAN.

- **CN Distribution function for Non Access Stratum messages**

In the RRC protocol, messages from the NAS shall be transparently transferred within the Access Stratum using the Direct Transfer procedure. In the two CN scenario, a distribution function in the UE and the SRNC shall handle a CN discriminator to direct messages to the appropriate NAS entity i.e. the appropriate Mobility Management instance in the UE domain and the appropriate CN domain.

In the downlink direction, the signaling bearers addressing shall be used to identify the originating CN domain (e.g. from CN node originating address). The process performed by the distribution function simply consists in adding one

CN discriminator to the value corresponding to the originating CN domain and passing the NAS message to the underneath protocol layers for transparent transfer to the UE.

In the uplink direction, the process performed by the distribution function in the SRNC consists in removing the CN discriminator inserted by the peer UE function and distribute the NAS message to the corresponding RANAP instance for transfer over Iu interface.

This function is located in both the UE and in the SRNC.

Mobility Management

Note : Location based services have not been yet considered and need further studies.

• Dedicated Connection

Based on [2], the UE may either have or not have a dedicated connection :

1. There exists a dedicated connection established over the Dedicated Control Service Access Point (DC-SAP) from the Access Stratum.

In this case, the CN can reach the UE by the dedicated connection SAP on the CN side, and the UTRAN has a context with the UE and CN for this particular connection. This context is erased when the connection is released. The *dedicated connection* can be initiated from the UE only.

Editor's note : A dedicated connection is currently defined as Signalling Connection in [2]. Note that in the radio interface, dedicated or common channels can be used.

Depending on the activity of a UE, the location of the UE is known either on cell level (higher activity) or in a larger area consisting of several cells (lower activity). This will (i) minimise the number of location update messages for moving UEs with low activity and (ii) remove the need for paging for UEs known on cell level.

2. There does not exist a dedicated connection.

In this case, the CN must reach the UE via the Notification SAP. The message sent to the UE can be a request to the UE to establish a dedicated connection. The UE is addressed with a user/terminal identity and a 'geographical area'.

• Consequences for Mobility Handling

It is generally agreed [1] to contain radio access specific procedures within UTRAN. This means that all cell level mobility should be handled within UTRAN. Also the cell structure of the radio network should not necessarily be known outside the UTRAN.

When there exists a dedicated connection to the UE, the UTRAN shall handle the radio interface mobility of the UE. This includes procedures such as soft handover, and procedures for handling mobility in the RACH/PCH substate.

Editor's note : Some reference will be necessary to a 3GPP TSG RAN WG2 document that defines that substate.

When there does not exist a dedicated connection to the UE, no UE information in UTRAN is needed. In this case, the mobility is handled directly between UE and CN outside access stratum (e.g. by means of registration procedures).

When paging the UE, the CN indicates a 'geographical area' that is translated within UTRAN to the actual cells that shall be paged. A 'geographical area' shall be identified in a cell-structure independent way. One possibility is the use of 'Location Area identities'.

During the lifetime of the dedicated connection, the registrations to the CN are suppressed by the UE. When a dedicated connection is released, the UE performs a new registration to the CN, if needed.

Thus, the UTRAN does not contain any permanent 'location registers' for the UE, but only temporary contexts for the duration of the dedicated connection. This context may typically contain location information (e.g. current cell(s) of the UE) and information about allocated radio resources and related connection references.

Synchronisation

This section describes a number of synchronisation principles grouped into three groups: Network Synchronisation, Frame Synchronisation and Node Synchronisation.

• SYNCHRONISATION MODEL

The Synchronisation model includes nodes and interactions in UTRAN as well as points at interactions to Core Network (CN) and User Equipment (UE).

The objectives with the sync model are to describe where the interactions mainly take place and to define the following terms:

- Time Alignment handling
- Frame synchronisation
- Radio Interface Synchronisation handling
- Ciphering handling

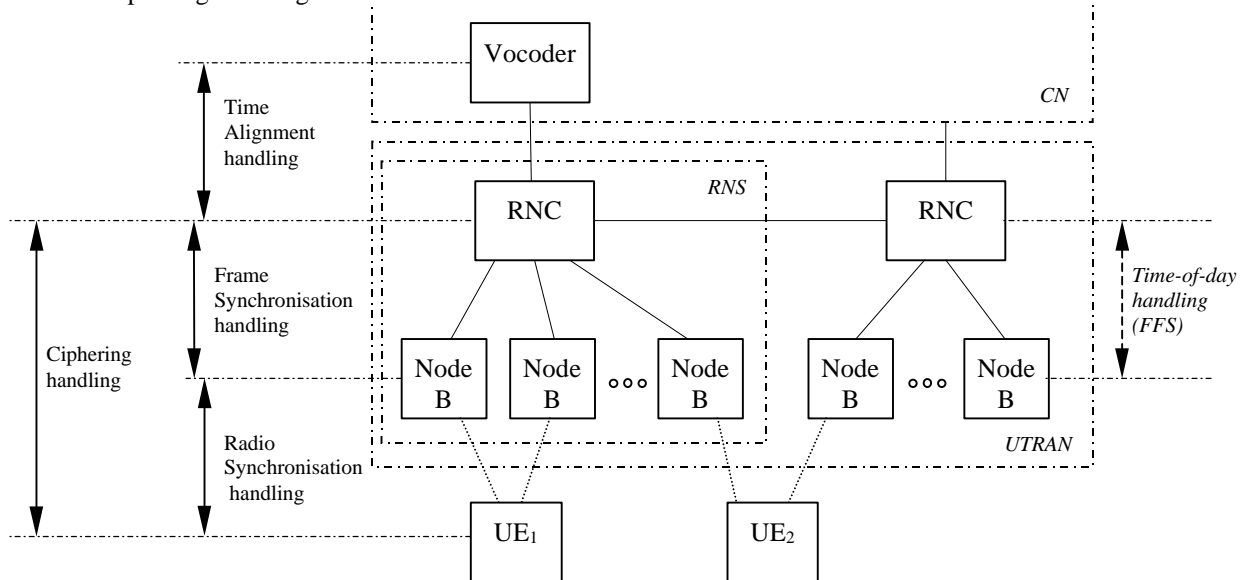


Figure 6. Synchronisation issues model.

The *Time-of-day* is an option FFS, used for OAM functions like radio network event time-stamping. Network synchronisation is a prerequisite for UTRAN and CN nodes.

• Time Alignment handling

Time Alignment handling is the functionality to adapt to 10 ms framing (or to unit length e.g. 20 ms) i.e. to send and receive frames 'just-in-time' and thus minimizing the delay. TA is an issue between Vocoder and the Diversity handover unit (DHO) in RNC. TA could also be used for circuit switched services like data.

• [FDD — Frame synchronisation

Frame synchronisation is the functionality to secure that the same DL frames are sent in the involved Node Bs towards UE and that the same UL frames are combined in RNC (in the Diversity Handover unit, DHO).

This is done by managing Frame Offset values that could be set differently in DL and UL.

Frames are sent from RNC to Node Bs the DL Frame Offset value earlier compared with when they are to be sent in Node Bs towards UE.

Frames are combined in RNC the UL Frame Offset value later compared to when they are received by Node B.

Frame Offset values could be predefined in the system but could also be refined during operation. Frame Offset values are handled in RNC only. Refining the DL Frame Offset values requires Iub signalling from Node Bs to RNC and contains the Frames discard rate and the Frames received too early rate in Node Bs. Refining the UL Frame Offset values requires no Iub signalling (RNC internal only).

The delay requirement for Voice is hard to fulfil. Therefore, Voice is transferred over the transport network using a Quality of Service (QoS) that has short buffers compared with e.g. packet data. This means that the Voice Frame Offset values could be shorter than those for packet data in order to have a chance to fulfil the Voice delay requirements.

Note : Due to TFI coordination in MAC layer, some situations could exist where the same frame offset would be required for different services. This will require further studies.]

• Radio Interface Synchronisation

Radio Interface Synchronisation is an issue mainly between UE and Node Bs. Radio Interface Synchronisation is used at addition of a new radio link (Soft-Handover, SHO) or when changing to another radio link (Hard-Handover, HHO). Radio Interface Synchronisation includes use cases like Establishment of first radio link, Inter-/Intra-RNS SHO and Inter-/Intra-frequency Hard-Handover which could be seamless or non-seamless.

• Ciphering handling

Services transferred over the air-interface need ciphering for security reasons. The length of the ciphering counter is in the range of 2^{32} . The UE specific ciphering counter must be synchronised between UE and RNC.

• Time-of-day handling

Time-of-day handling is optional and is FFS.

• Network Synchronisation

The Network Synchronisation relates to the stability of the clocks in the UTRAN. The standard will specify the performance requirements on the radio interface. Also the characteristics on the UTRAN internal interfaces, in particular Iub, need to be specified.

Editor's note : The short-term stability (e.g. over a symbol or frame) of the Node B transmitter is an issue for the LI EG. However, the long-term stability is related to the Node Synchronisation (see below), and may need to be specified taking the Node Synchronisation into account.

• Radio interface synchronisation

This section firstly defines some physical channel timing parameters that are necessary for the radio interface synchronisation. See [7] for more details. Then the radio interface synchronisation procedure is described.

The following assumptions are considered:

- a Node B covers N cells, where $N \gg 1$;
- each Node B has a Reference Frame Number (RFN) which counts from 0 to $M-1$ in Radio Frame intervals;
- each cell has a Frame Number (FN) which counts from 0 to $M-1$ in Radio Frame intervals;
- the cell FN is broadcasted on the BCCH;
- cells are asynchronous among each others (Primary CCPCH are not synchronised).

Note : No assumptions have been made on the values of the Frame Number. The following alternatives are possible:

- *each cell has an independent FN;*
- *FN is unique inside each Node B;*
- *FN is unique inside each RNS;*
- *FN is unique in a PLMN.*

The physical channel timing parameters in a soft handover situation including two cells belonging to two different Nodes B (Cell i belonging to Node B1 and Cell j belonging Node B2) are described below and shown in Figure 7.

- T_p : Propagation delay between cell and UE.
- T_{cell} : This timing offset is used for the frame timing of SCH, Primary CCPCH and the starting phase of all down link Scrambling Codes in a cell. The main purpose is to avoid having overlapping SCHs in different cells belonging to the same Node B.
- T_d : This timing offset is used for the frame timing of DPCHs and Secondary CCPCHs. It can be individually set up for each DPCH and Secondary CCPCH. The T_d values for the latter may be broadcast on BCCH, or known a-priori. The purpose of T_d is:
 - In an originating/terminating cell, to distribute discontinuous transmission periods in time, and also to distribute Node B-RNC transmission traffic in time.
 - At soft handover, to synchronise down link DPCHs to the same UE, in order to minimise the buffering requirements at the UE.

Note that T_d can only be adjusted in steps of one DPDCH/DPCCH symbol (256 chips) in order to preserve downlink orthogonality.

- T_m** : This value is measured by the UE and reported to the RNC prior to soft handover. The RNC can then notify this value to the target cell, which then knows how to set T_d to achieve proper reception and transmission frame timing of the dedicated physical channel.

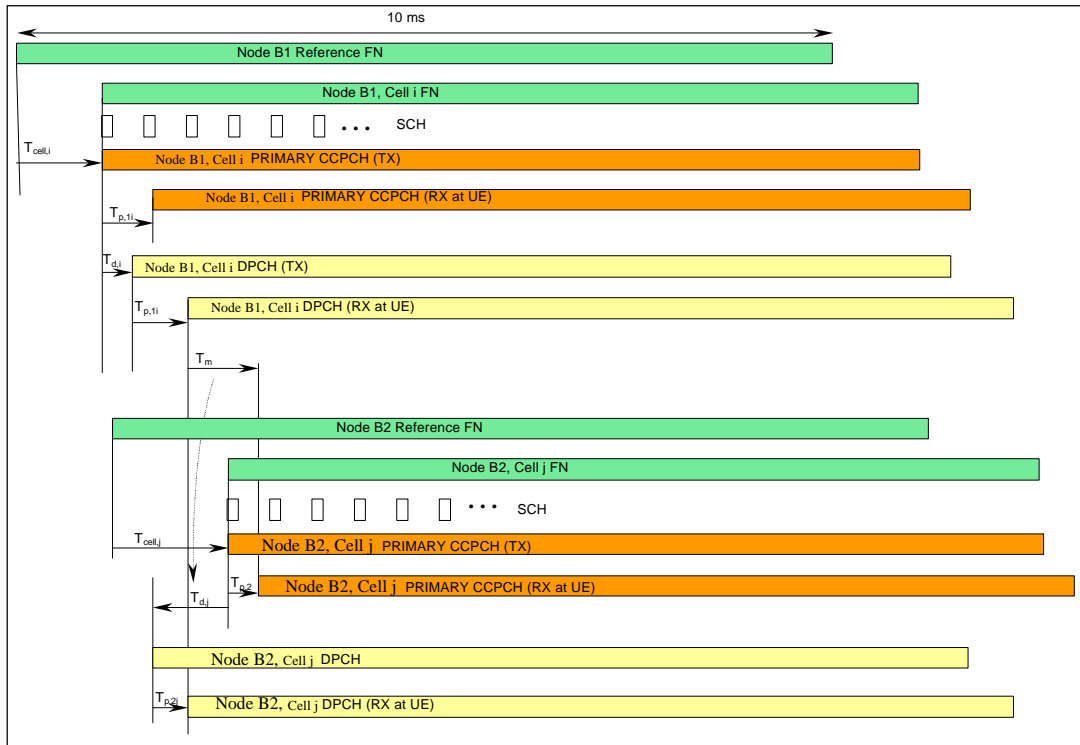


Figure 7. Physical channel timing parameters

The UE in active mode continuously searches for new cells on the current carrier frequency. From the cell-search procedure, the UE knows the frame offset (T_m) between the Primary CCPCH frame-timing received from the target cell and the earliest received existing DPCH path (see Figure 7.). When a soft handover is to take place, this offset (T_m) together with the frame offset between the DPDCH/DPCCH and the Primary CCPCH of the source cell ($T_{d,i}$), is used to calculate the required frame offset ($T_{d,j}$) between the DPDCH/DPCCH and the Primary CCPCH of the destination cell, i.e. the cell to be added to the active set (see Figure 8.).

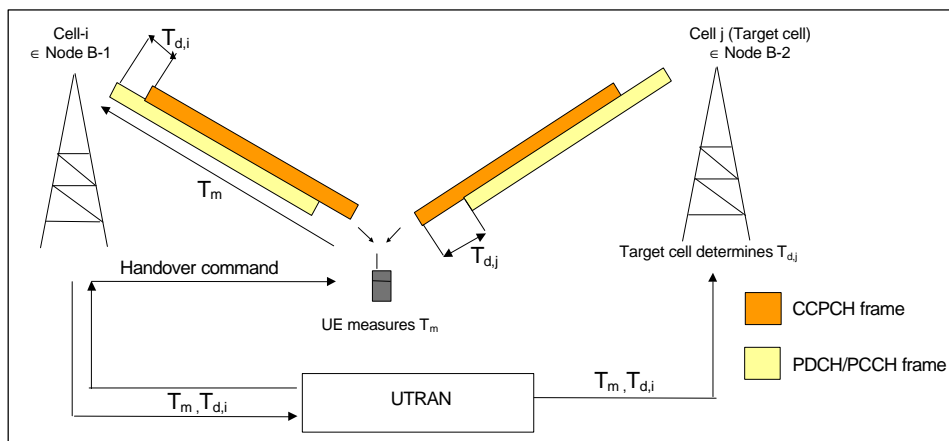


Figure 8. Radio interface downlink synchronisation (1)

This offset is chosen so that the frame offset between the DPDCH/DPCCH of the source and destination cells at the UE receiver is minimised.

Note that the propagation delay to the target cell is already compensated for in the setting of $T_{d,j}$ at the target cell. The DPCH signal from the target cell will reach the UE at the same time as the earliest received existing DPCH path. The only remaining error, besides frequency-drift and UE mobility related errors, is due to a (known) rounding error at the target cell in order to maintain down link orthogonality.

The overall radio interface downlink synchronisation mechanism is shown in Figure 9.

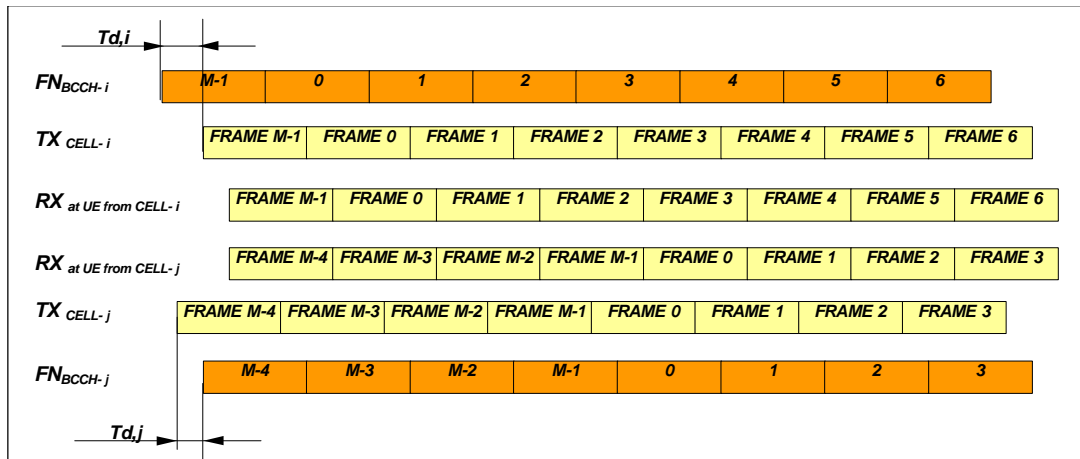


Figure 9. Radio interface downlink synchronisation (2)

• [FDD — Frame Synchronisation]

Note : This whole section is applicable to FDD mode only.

The methods for Frame Synchronisation describe how data units transmitted in radio frames over different macrodiversity branches can be combined in the receiver, while minimising the delay for the radio access bearer service.

Editor's note: The L1 EG has described how the radio frame transmission timing in two different cells can be set in order for the UE to receive the frames synchronously. What remains is to make sure the same data is transmitted in a given radio frame (avoiding combining of radio frames with different data contents in the UE) and how the same two data units are combined in the RNC. Questions to consider include:

Different (possibly unknown) delays on the AAL2 connections over Iur / Iub to different Node B's

Numbering of data units over Iur/Iub to relate them to certain radio frames

How to achieve initial numbering for an RRC connection and in a Node B at Radio Link / Branch Addition

Varying delay: buffer with margins or adapt to adjust delay?

Relation to a time alignment protocol over Iu for minimising the roundtrip delay for e.g. a speech service.

Furthermore, the specifications may need to consider a delay budget from reception at RNC to transmission from Node B, and include some requirements on the different nodes processing delay.

• General principles for frame synchronisation

The general principles for Frame Synchronisation are the following :

- each RNC has a Frame Number which count from 0 to M-1 in Radio Frame.
- The RNC Frame Number is used to determine the stamp for downlink DCH Data Stream Frames transmitted either on the Iub or on the Iur.
- In order to ensure that DCH Data Stream Frames containing the same data are received by all the involved cells in time to be transmitted synchronously to the UE, the SRNC anticipates the transmission on each macrodiversity branch. This timing advance should be about the maximum downlink transfer delay (Downlink Offset).
- DCH Data Stream Frames that are not received in time to be transmitted synchronously to the UE are discarded.
- The cell FN is used to determine the stamp for uplink DCH Data Stream Frames transmitted on the Iub and Iur (in some proposals the Cell Frame Number is used to stamp uplink DCH Data Stream Frames).
- The RNC where selection/recombining takes place uses frame stamps of uplink DCH Data Stream Frames in order to combine correct frames.

These principles are shown in Figure 10.

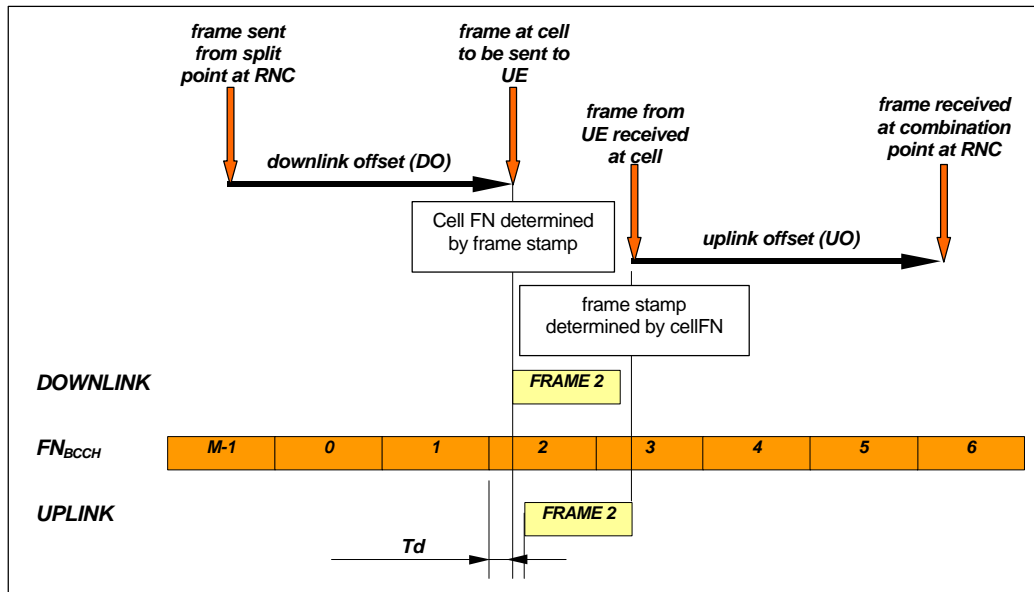


Figure 10. Frame stamping and uplink/downlink offsets handling

- UE Frame Number definition

A cell in WCDMA system has its own specific frame numbering (FN_{CELL}), broadcast in the BCCH. FN_{CELL} of different Cells are not synchronised. The range of this frame number is 0-71, and one cycle lasts 720 ms (this is the current assumption in the SMG2-UMTS L1 EG)

The UE (acting as a master) sets its own reference for frame numbering ($UEFN$, UE Frame Number), composed by at least a *Connection Frame Number (CFN)* of the same range of the FN_{CELL} (0..71).

Note: The cycle of the CFN is selected to be equal to the cycle of the FN_{CELL} , and will change if the latter changes. Furthermore, the CFN is synchronous with the received DPDCH/DPCCH.

- CFN-CELL FN Offset

Let's consider the case of a UE connected to Cell i belonging to Node B1, that is entering in soft handover with Cell j belonging Node B2.

From the cell-search procedure, the UE knows the frame offset (T_m) between the Primary CCPCH frame-timing received from the target cell and the earliest received existing DPCH path.

Furthermore, the UE measures the difference between its own CFN and the FN_{CELL} broadcast by the target cell:

$$OFF_j = CFN_{UE} - FN_{CELL-j}$$

When a soft handover is to take place, T_m is used to calculate the required offset ($T_{d,j}$) between the DPDCH/DPCCH and the Primary CCPCH of the destination cell, i.e. the cell to be added to the active set. This offset is chosen so that the frame offset between the DPDCH/DPCCH of the source and destination cells at the UE receiver is minimised.

Both T_m and OFF_j are included sent by the UE to UTRAN before the soft handover. The use of offset OFF_j is explained in Section .

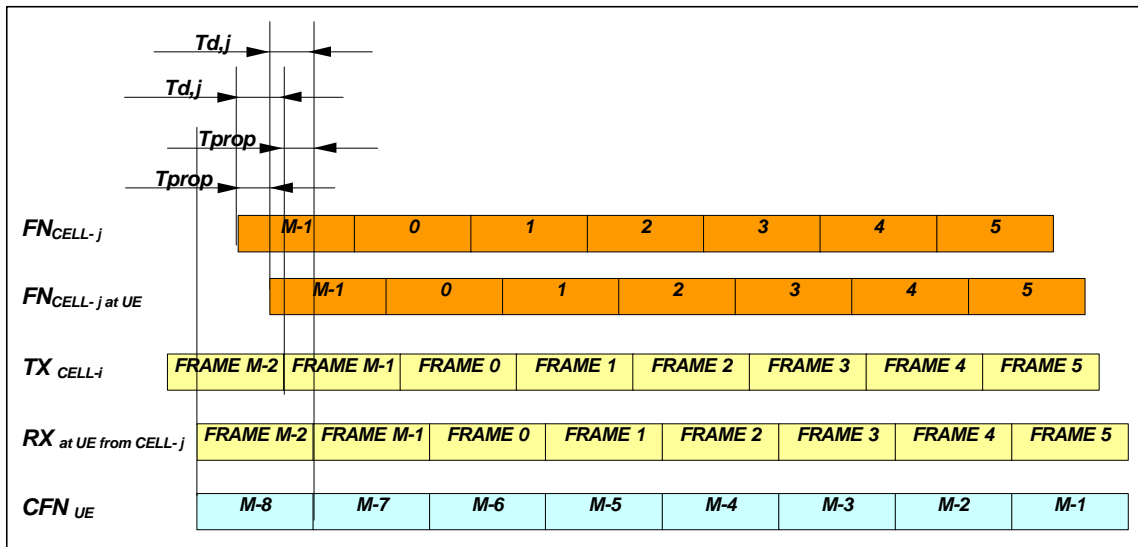


Figure 11. Offsets among Frame Counters

Note : If the network already knows the relation between the different FNCELL, then the UE does not need to report the OFF.

- Use of frame numbers in uplink and downlink transmission

In UL transmission, each Node-B receiving the TBS calculates the corresponding CFN based on known FN_{CELL} and OFF , and includes it in the header of the Iub/Iur data frame carrying the TBS.

$$CFN = FN_{CELL-j} + OFF_j \text{ (modulo 72)}$$

The MDC unit in SRNC (and optionally in DRNC) combines uplink TBS with the same CFN.

If the $UEFN$ is used for encryption, UE ciphers the UL transport block sets (TBS) accordingly to the $UEFN$ of the first frames used for their transmission. SRNC deciphers them with the same $UEFN$.

In downlink transmission, SRNC numbers the DL TBS with the connection specific CFN in the Iur/Iub data frame header.

In order to ensure that TBS containing the same data are received by all the involved cells in time to be transmitted synchronously to the UE, the SRNC anticipates the transmission on each macrodiversity branch. This timing advance should be about the maximum downlink transfer delay (Downlink Offset). The exact time when SRNC shall transmit the DL Iub/Iur frame in the queue for transmission with the TBS and a specific CFN is defined by a DL Offset handling procedure (see Section Timing adjustment in Iub/Iur interfaces).

Every cell transmits the TBS starting from:

$$FN_{CELL-j} = CFN - OFF_j$$

$T_{d,j}$ is used to set the required frame offset between the DPDCH/DPCCH and the Primary CCPCH of cell j , so that the transmission on the air-interface is synchronised.

If the $UEFN$ is used for encryption, SRNC ciphers the DL TBS accordingly to the $UEFN$ (of the first frames to be used for their transmission).

Note that, due to the transmission and processing delay, SRNC receives the UL TBS with $CFN = X$ after that the DL TBS with $CFN = X$ has been sent.

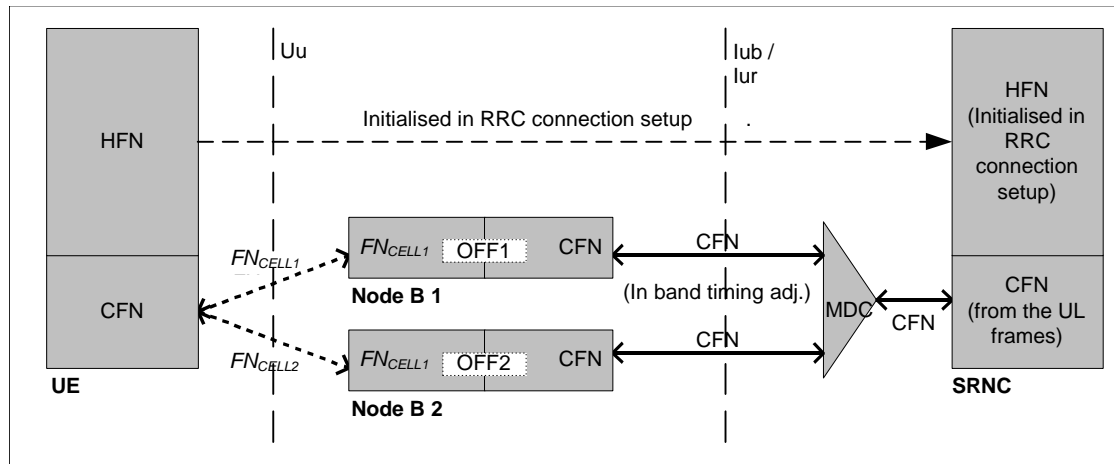


Figure 12. UE-UTRAN synchronisation

- Timing adjustment in Iub/Iur interfaces

Downlink Offset values are found 'on-the-fly' according to current traffic situation either at connection set-up or when a diversity leg is needed. A certain margin can be added in both the UL and DL offsets to cope with a possible increase of transmission delay (ex: new link added).

The Link Offset values could be adjusted during the connection based on *Frame discard rate* and *Too early frame arrival rate* (at Node B and at SRNC respectively), in order to adapt to the current traffic situation.

Note : In case of speech connection with vocoder in CN, a frequent time adjustment shall be prevented in order to avoid frame-slips. This is done setting a margin in the uplink/downlink link offset as shown in the next subchapter.

Note : It is FFS if additional functionality should be introduced to improve the initial setting of DL offset values. (e.g. some background protocols)

- Initial synchronisation of the first dedicated branch

The CFN and FN_{CELL} of the cell into which the RRC connection setup request was sent are synchronised (the CFN is set in UE to the same cycle as the FN_{CELL}). SRNC estimates the timing to send the first DL control frame, with a given CFN , in the new user plane. The correct DL transmission time is estimated by the SRNC (or a predefined value is used) taking into account the assumed transmission and processing delays in the UTRAN. Timing adjustment procedure on the control frames stream is then used to converge to the exact timing. Other solutions are FFS.

In case of connection using transcoder in the CN, a margin can (shall) be added to both the DL and UL offset in order to face possible variation of the transmission delay in the interfaces without causing frame slips. Margin in DL is created delaying/buffering DL data in RNC before sending the frames to the Node B, while margin in UL is created delaying/buffering the UL data before sending the transcoder frame to the CN.

Note : It is FFS if additional functionality should be introduced to improve the initial setting of DL offset values. (e.g. some background protocols)

- Initial synchronisation of a additional soft handover branches

The initial synchronisation of a new branch is achieved using the timing adjustment procedure described above and applied to the Iub/Iur frames that are sent before the beginning of the DL data transmission in the new Uu port. The initial timing assumed by SRNC can be the timing used for the existing branch(es).

If the transmission delay for the new branch is higher than in the existing ones, the timing advance request from Node B can be fulfilled using increasing the UL and DL margin, if any (e.g. in case of connection using transcoder in the CN).

Note : It is FFS if additional functionality should be introduced to improve the initial setting of DL offset values. (e.g. some background protocols)

- Maintaining offset

UE measures the offset also in the active Radio Links, and if changed, reports the new value to the UTRAN.

- Synchronisation of L1 configuration changes

When a synchronised L1 configuration change shall be made, the SRNC commands the related node B's to prepare for the change. When preparations are completed and SRNC informed, serving RNC decides appropriate change time. SRNC tells the UEFN for the change by a suitable RRC message. The node B's are informed the CFN by NBAP Channel reconfiguration messages (name not yet agreed in SMG2 ARC) and/or RNSAP Radio Link Reconfiguration messages.

At indicated switch time UE and node B's change the L1 configuration.

- Node Synchronisation

This describes how a common timing reference can be achieved between the UTRAN nodes.

Editor's note : It is likely that the method for Frame Synchronisation will depend on a numbering of the Iub/Iur DCH frames. Then there may be a need for the UTRAN nodes (RNC and Node B) to have a common timing reference.

Avoiding dependence to an external system to provide this means that there is a need for UTRAN specific solutions. If the Network Synchronisation above is very good, the drift between different nodes is slow, but will occur. Therefore, some kind of protocols over Iur and Iub need to be specified to detect and correct a possible misalignment of the Node Synchronisation. The needed accuracy need to be identified.

The architecture may have several solutions: separate synchronisation node, hierarchical synchronisation relation between RNCs and RNC-Node B, mutual synchronisation between RNCs etc.

Positioning / Localisation functions may also set requirements on this Node Synchronisation.

[TDD - Node Synchronisation and Frame synchronisation are used within neighbouring cells to minimise cross-interference (Node B-Node B, UE-UE, Node B-UE cross-interferences)]

UTRAN OA&M Requirements

- OA&M of Node B

The O&M of Node B is separated in two parts : the O&M linked to the actual implementation of Node B, denoted as Implementation Specific O&M, and the O&M which impacts on the traffic carrying resources in Node B controlled from the RNC, denoted *logical O&M*. The RNS architecture with the O&M interfaces is shown in Figure 13.

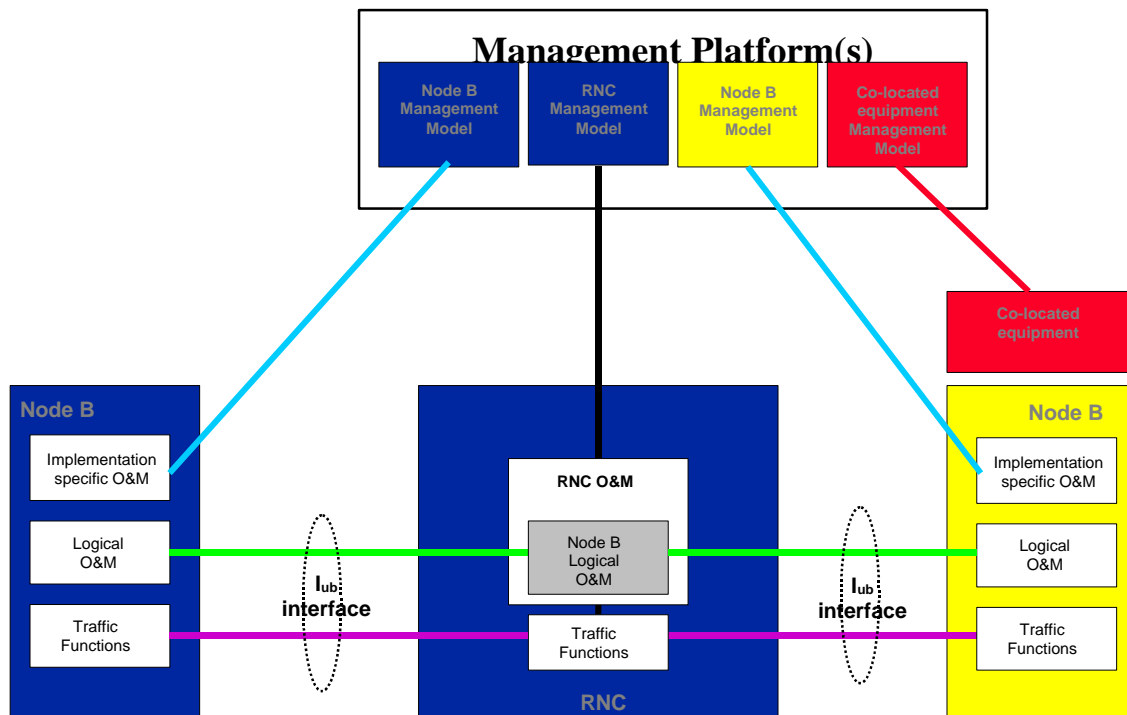


Figure 13.RNS architecture with O&M interfaces

Note: The concept of an interface from the RNC to the management system is shown for clarity only. It's definition is outside the scope of 3GPP-TSG-RAN-WG3.

Note: The presentation of the O&M functions within the management system is shown for clarity only. Their actual implementation is outside the scope of 3GPP-TSG-RAN-WG3.

Note: Implementation Specific O&M can be routed directly to the management system through a specific interface or it can be routed via the RNC, thus sharing the same physical transport as the Iub interface.

Note: The standardisation of the Implementation Specific O&M is outside the scope of 3GPP-TSG-RAN-WG3. The 3GPP-TSG-RAN-WG3 should only address the bearer for the Implementation Specific O&M.

Note: The categorisation of Node B O&M functions into either Logical or Implementation Specific O&M is FFS.

Note: The concept of an interface to support signalling between co-located equipment and the management system is FFS.

• Implementation Specific O&M

The Implementation Specific O&M functions are heavily dependent on the implementation of Node B, both for its hardware components and for the management of the software components. It needs therefore to be implementation dependent, and be performed between Node B and the management system.

This means that the standardisation in 3GPP-TSG-RAN-WG3 should only address the *transport* of O&M signalling between the management system and Node B. This transport can be performed by several means :

- it may involve the RNC as a *relay* function
- it should therefore be possible to route the Implementation Specific O&M via the same physical bearer as the Iub interface
- it may be performed across dedicated PVCs between Node B and the management system. These PVCs can be provided by administrative means. These PVCs potentially being across the RNC, but not necessarily
- it may be performed across dedicated SVCs between Node B and the management system. This is therefore a service of the transport functions

• Logical O&M

The Node B provides at the minimum access to a set of logical resources e.g. ports both on the Iub interface and on the Uu (radio) interface. These logical resources are controlled by the RNC on the Iub interface by the Traffic management functions.

Since the RR layer is probably within the RNC, the RNC should know about the availability status of a given cell. Similarly, it would be beneficial that the RNC has a view of the available radio resources for each cell. This is compatible with the fact that the RR layer is responsible for the management of the system load in interferences in particular at the RNS level.

The management of these logical resources is desirable (but it should be noted that it is not absolutely necessary) for the proper operation of the RNS. Actually, the Radio Resource algorithms within the RNC can only be optimised with the knowledge of the available logical resources within each Node B of the RNS. Actually, because of soft handover, some knowledge on neighbour RNS may be beneficial as well.

The management of the logical resources of Node B needs to be performed on the Iub interface. In order to reach that objective, it is necessary that a logical model of Node B is defined, and then the procedures to manage these resources will be defined on the Iub.

UTRAN Interfaces

Editor's Note : Editorial work for splitting between S3.01 and S3.10, S3.20 and S3.30 is still ongoing. This will affect sections 11 and sections 12.

• General Protocol Model for UTRAN Interfaces

• General

The general protocol model for UTRAN Interfaces is depicted in Figure 14., and described in detail in the following sub-sections. The structure is based on the principle that the layers and planes are logically independent of each other,

and if needed, protocol layers, or the whole protocol stack in a plane may be changed in the future by decisions in the standardisation.

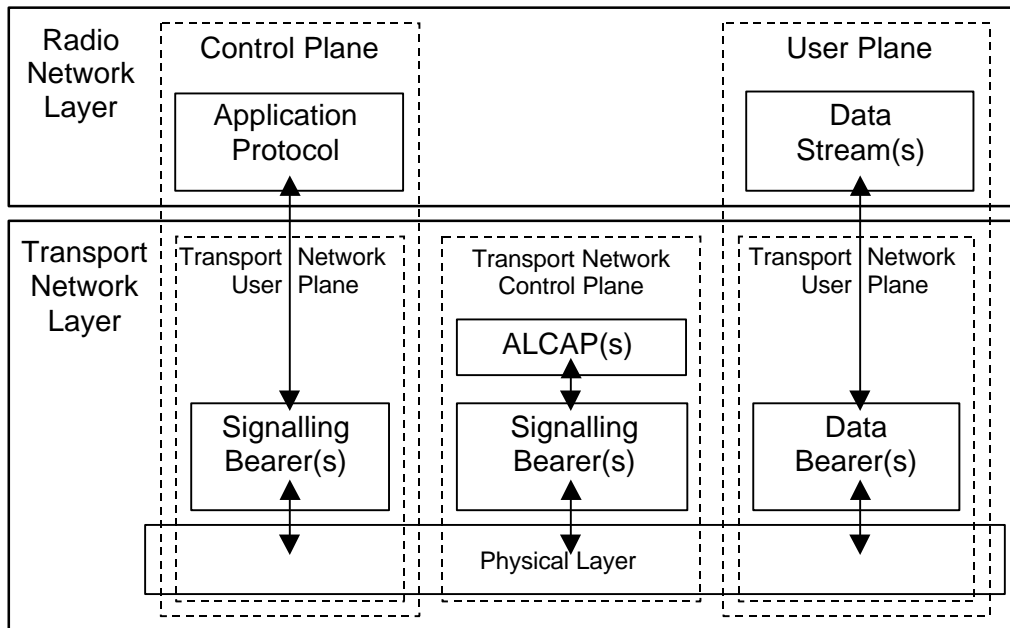


Figure 14. General Protocol Model for UTRAN Interfaces

- Horizontal Layers

The Protocol Structure consists of two main layers, Radio Network Layer, and Transport Network Layer. All UTRAN related issues are visible only in the Radio Network Layer, and the Transport Network Layer represents standard transport technology that is selected to be used for UTRAN, but without any UTRAN specific requirements.

- Vertical Planes

- Control Plane

The Control Plane Includes the Application Protocol, i.e. RANAP, RNSAP or NBAP, and the Signalling Bearer for transporting the Application Protocol messages.

Among other things, the Application Protocol is used for setting up bearers for (i.e. Radio Access Bearer or Radio Link) in the Radio Network Layer. In the three plane structure the bearer parameters in the Application Protocol are not directly tied to the User Plane technology, but are rather general bearer parameters.

The Signalling Bearer for the Application Protocol may or may not be of the same type as the Signalling Protocol for the ALCAP. The Signalling Bearer is always set up by O&M actions.

- User Plane

The User Plane Includes the Data Stream(s) and the Data Bearer(s) for the Data Stream(s). The Data Stream(s) is/are characterised by one or more frame protocols specified for that interface.

- Transport Network Control Plane

The Transport Network Control Plane does not include any Radio Network Layer information, and is completely in the Transport Layer. It includes the ALCAP protocol(s) that is/are needed to set up the transport bearers (Data Bearer) for the User Plane. It also includes the appropriate Signalling Bearer(s) needed for the ALCAP protocol(s).

The Transport Network Control Plane is a plane that acts between the Control Plane and the User Plane. The introduction of Transport Network Control Plane makes it possible for the Application Protocol in the Radio Network Control Plane to be completely independent of the technology selected for Data Bearer in the User Plane.

When Transport Network Control Plane is used, the transport bearers for the Data Bearer in the User Plane are set up in the following fashion. First there is a signalling transaction by the Application Protocol in the Control Plane, which triggers the set up of the Data Bearer by the ALCAP protocol that is specific for the User Plane technology.

The independence of Control Plane and User Plane assumes that ALCAP signalling transaction takes place. It should be

noted that ALCAP might not be used for all types Data Bearers. If there is no ALCAP signalling transaction, the Transport Network Control Plane is not needed at all. This is the case when pre-configured Data Bearers are used. It should also be noted that the ALCAP protocol(s) in the Transport Network Control Plane is/are not used for setting up the Signalling Bearer for the Application Protocol or for the ALCAP during real time operation. The Signalling Bearer for the ALCAP may or may not be of the same type as the Signalling Bearer for the Application Protocol. The Signalling Bearer for ALCAP is always set up by O&M actions.

- Transport Network User Plane

The Data Bearer(s) in the User Plane, and the Signalling Bearer(s) for Application Protocol, belong also to Transport Network User Plane. As described in the previous section, the Data Bearers in Transport Network User Plane are directly controlled by Transport Network Control Plane during real time operation, but the control actions required for setting up the Signalling Bearer(s) for Application Protocol are considered O&M actions.

- External Interfaces

- Uu Interface

Editor's Note : The radio interface protocol architecture is to be described by the 3GPP TSG RAN WG2. This section should contain a description of the radio interface protocol architecture aligned with the Radio Interface Expert Group, and additional assumptions when needed.

- Iu Interface

- Iu Overview

Editor's Note : This will probably need some cleaning and restructuring work.

From a UTRAN perspective, maximising the commonality of the various protocols that flow on the Iu interface is desirable. This means at the minimum that :

- A common set of radio access bearer services will be offered by UTRAN to the Core Network nodes, regardless of their type (e.g. 3G-MSC or 3G-SGSN).
- There will be a common functional split between UTRAN and the Core Network nodes, regardless of their type (e.g. 3G-MSC or 3G-SGSN).

- Streamlining functions

- Access Network Triggered Streamlining

One Access Network triggered function needed over the Iu interface is the function for SRNS Relocation. SRNS Relocation needs support from the Core Network to be executed.

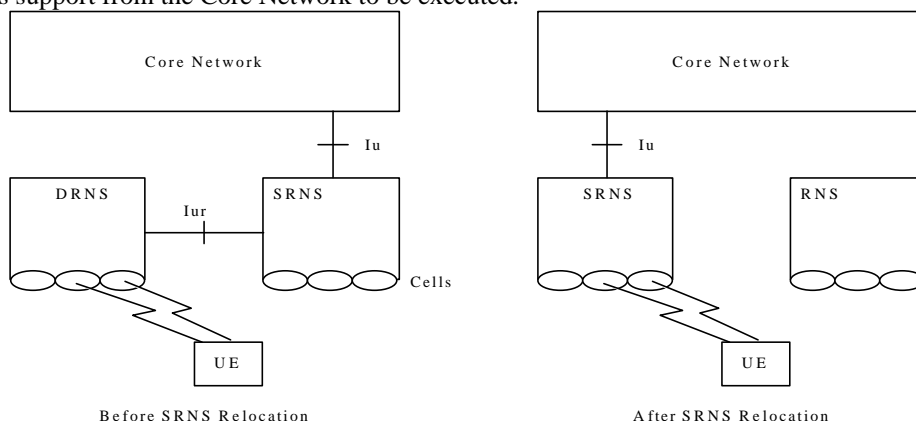


Figure 15. Serving RNS Relocation

[FDD — For the cases where handover can be performed independently from SRNS Relocation, the algorithm for

triggering the SRNS relocation is not specified.]

[FDD — The specification of Iur Interface shall allow the support of soft handover throughout the UTRAN of PLMN without performing SRNS relocation.]

- Core Network Triggered Streamlining

For Further Studies

- Iu Protocols

Various transmission possibilities exist to convey the bearers over the Iu to the Core Network. Therefore, the Data Transport Resource and traffic handling are separated from the RANAP (Figure 16.). This resource and traffic handling is controlled by the Transport Signalling. The Transport Signalling is carried by a Signalling Bearer over the Iu interface.

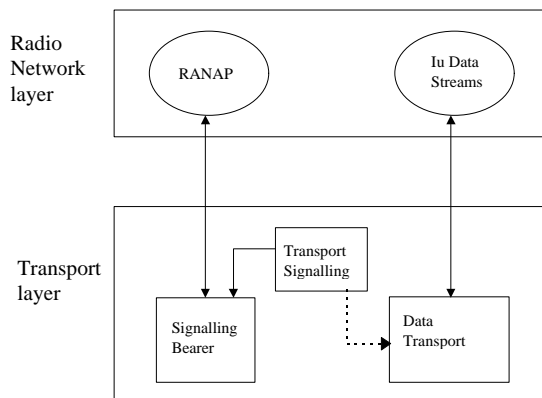


Figure 16. Separation of RANAP and transport over Iu

- Radio Application Protocol

The Radio Network signalling over Iu consists of the Radio Access Network Application Part (RANAP). The RANAP consists of mechanisms to handle all procedures between the CN and UTRAN. It is also capable of conveying messages transparently between the CN and the UE without interpretation or processing by the UTRAN.

Over the Iu interface the RANAP protocol is, e.g. used for:

- Facilitate a set of general UTRAN procedures from the Core Network such as paging -notification as defined by the notification SAP in [2].
- Separate each User Equipment (UE) on the protocol level for mobile specific signalling management as defined by the dedicated SAP in [2].
- Transfer of transparent non-access signalling as defined in the dedicated SAP in [2].
- Request of various types of UTRAN Radio Access Bearers through the dedicated SAP in [2].
- Perform the streamlining function.

The Radio Access Bearers are provided by the Access Stratum

Editor's note : Reference has to be made to the Radio Interface Protocol Architecture document from the L23 expert group.

- ALCAP Protocol

Editor's Note : Q.aal2 part of Section 12.4 of [1]

Q.aal2 is used as the ALCAP protocol for dynamically setup ALL-2 connections over Iu towards the PSTN Domain.

Note : This ALCAP protocol is based on the working assumption that the CODECs are located in the Core Network. If the CODECs are located in UTRAN, this will have to be reconsidered.

- **Internal Interfaces**

- **Iur Interface**

- **Iur Overview**

The Iur interface connects a SRNS and a DRNS.

This interface should be open.

The information exchanged across the Iur is categorised as below :

- One or more Iur Data stream which comprises
 - Transport Block Sets
 - Simple, commonly agreed Quality estimate
 - Synchronisation information

There exist Iur CCH, DSCH and DCH data streams.

Note : CCH and DSCH management over Iur is study Item ARC/I

- Signalling
 - Addition of Cells in the DRNS which may lead or not to the addition of an new Iur Data stream
 - Removal of Cells in the DRNS
 - Modify Radio link characteristics

Note : This list of procedures is not the full list over Iur interface.

From a logical stand point, the Iur interface is a point to point interface between the SRNS and all the DRNS, i.e. there is no deeper hierarchy of RNSs than the SRNS and DRNS. However, this point to point logical interface should be feasible even in the absence of a physical direct connection between the two RNSs.

- **Functional split over Iur**

Note: This is only an initial list.

- **Macro-diversity Combining/Splitting**

DRNS may perform macro-diversity combining/splitting of data streams communicated via its cells. SRNS performs macro-diversity combining/splitting of Iur data streams received from/sent to DRNS(s), and data streams communicated via its own cells.

The internal DRNS handling of the macro-diversity combining (respectively splitting) of Iub (respectively Iur) DCH frames is controlled by the DRNS.

- **Control of Macro-diversity Combining/Splitting Topology**

When requesting the addition of a new cell for a UE-UTRAN connection, the RNC of the SRNS (i.e. the SRNC) can explicitly request to the RNC of the DRNS (i.e. the DRNC) a new Iur data stream, in which case the macro-diversity combining and splitting function within the DRNS is not used for that cell. Otherwise, the DRNS takes the decision whether macro-diversity combining and splitting function is used inside the DRNS for that cell i.e. whether a new Iur data stream shall be added or not.

- **Handling of DRNS Hardware Resources**

Allocation and control of DRNS hardware resources, used for Iur data streams and radio interface transmission/reception in DRNS, is performed by DRNS.

- Allocation of Downlink Channelisation Codes

Allocation of downlink channelisation codes of cells belonging to DRNS is performed in DRNS.

Editors note: Note that this does not imply that the signalling of the code allocation to the UE must be done from the DRNS.

- UpLink Power Control

This group of functions controls the level of the uplink transmitted power in order to minimise uplink interference and keep the quality of the connections. If the connection involves both a SRNS and a DRNS the function UL Outer Loop Power Control (located in the SRNC) sets the target quality for the UL Inner Loop Power Control function (located in Node B). Additional quality information for the case when macro diversity combining is performed in DRNC is for further study.

Note : some additional function is needed for resource negotiation between the SRNS and the DRNS across the Iur. This is FFS.

- Down-Link Power Control

This group of functions controls the level of the downlink transmitted power in order to correct the downlink power drifting between several radio links. SRNC regularly (or under some algorithms) sends the target down link power range based on the measurement report from UE.

- Admission Control

Admission control in a DRNC is implicitly invoked during radio link setup/modify.

Information on UL interferences and DL power on cells controlled by the DRNC should be available across Iur.

Additional information exchanges between admission control functions located in different RNCs are for further study.

- DRNS logical Model over Iur

Editor's Note : The DRNS logical Model needs to be updated

- Overview

The model in Figure 17. shows the Drift Radio Network System as seen from the SRNC. It is modelled as a «black box» with a set of Radio Links on the Uu side of the box and another set of User Plane access ports on the Iur side of the box. The Radio Links are connected to the Iur user ports via the internal transport mechanisms of the DRNS. Operations for controlling the connections between ports are sent from the SRNC to the DRNC via an Iur Control Plane port.

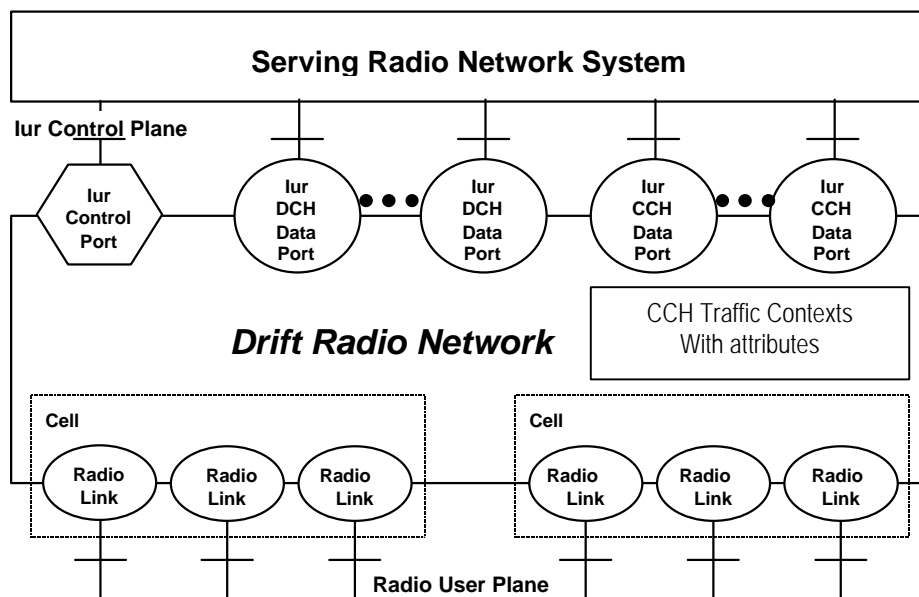


Figure 17. Drift RNS Logical Model

Note : This figure is the Radio Network layer view and not the transport layer one.

- Logical Model Elements

- Radio Link

A Radio Link represents a User Plane access point on the UTRAN side of the Uu interface between the User Equipment and the UTRAN. It is associated with :

- a Cell identifier.
- a Radio Frequency Carrier identifier.
- a Physical Channel identifier (spreading code).

The semantics of a Radio Link include the following:

- It is created and destroyed by administrative procedures when a cell site and/or RF carrier is added to, or deleted from, the RNS.
- It can be attached to one and only one Iur User Port at any given time.
- Its resources are allocated and controlled by the DRNS.

- Cell

A Cell is a collection of Radio Links found at a specific location. It is defined by:

- a Cell identifier.

The semantics of a Cell include the following:

- It is created and destroyed by administrative procedures when a cell site and/or RF carrier is added to, or deleted from, the RNS.

- Iur DCH Data Port

An Iur DCH Data Port represents a User Plane transport bearer, carrying one Iur DCH Data Stream, on the Iur interface between the SRNS and DRNS. The semantics of an Iur DCH Data Port include the following:

- It is created and destroyed by administrative procedures when transport facilities are added to, or deleted from, the Iur interface between the SRNS and DRNS. It can also be created and destroyed dynamically using dynamically setup transport bearers to add or remove transport facilities.
- It is assigned and released by the SRNC in reaction to requests for bearer services from the UE.
- It may be attached to one or more Radio Links. When attached to Radio Links in the downlink direction, it acts as a point-to-multipoint connection for diversity transmission. When attached to multiple Radio Links in the uplink direction, it acts as a multipoint-to-point connection for diversity reception.
- The transmit and receive diversity resources required to implement the point-to-multipoint and multipoint-to-point connections are controlled by the DRNS.
- The Iur DCH Data Stream emanating from the Iur DCH Data Port terminates in the SRNS connected to DRNS.

- Iur CCH Data Port

Note : It is FFS whether an Iur CCH Data Port will be associated to a transport bearer or if multiple Iur CCH Data ports can be multiplexed over the same transport bearer.

- Iur Control Port

An Iur Control Port represents the Control Plane access point on the Iur interface between the SRNS and the DRNS. It is defined by:

- a transport bearer channel identifier.

The semantics of an Iur Control Port include the following:

- It is created via administrative procedures when the Iur interface is created.

- Iur Protocols

The signalling information across Iur interface as identified in section is called Radio Network Subsystem Application Part (RNSAP).

The RNSAP is terminated in the SRNC and in the DRNC.

As already stated in Section 0 there shall exist a clear separation between the Radio Network Layer and the Transport Layer. Therefore, the Data Transport resource and traffic handling are separated from the RNSAP (Figure 18.). This resource and traffic handling is controlled by the Transport Signalling. The Transport Signalling is carried by a Signalling Bearer over the Iur interface.

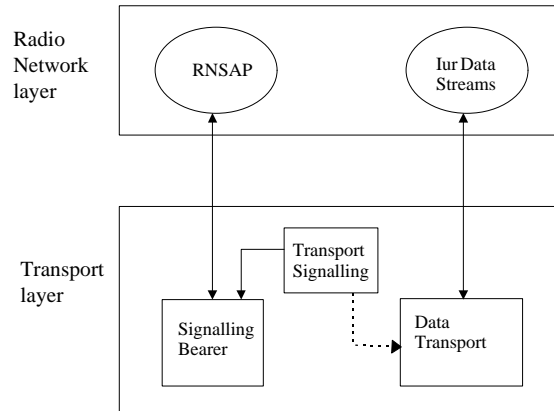


Figure 18. Separation of RNSAP and transport over Iur

- Iub Interface
- Iub Overview

The Iub interface connects a RNC and a Node B.

The information transferred over the Iub reference point can be categorised as follows:

1. Radio application related signalling

The Iub interface allows the RNC and the Node B to negotiate about radio resources, for example to add and delete cells controlled by the Node B to support communication of the dedicated connection between UE and SRNC.

Information used to control the broadcast and paging channels, and information to be transported on the broadcast and paging channels, belong to this category also.

2. Iub/Iur DCH data stream

The Iub interface provides means for transport of uplink and downlink DCH Iub frames between RNC and Node B. The DCH Iub frame header includes uplink quality estimates and the Connection Frame Number (CFN). The DCH Iub frame body comprises of data to be transferred over the radio interface. The DCH Iub frames can be carried on pre-defined transmission links or switched connections.

One Iub/Iur DCH data stream is carried on one transport bearer.

3. Iub RACH data stream

The Iub interface provides means for transport of uplink RACH transport frames between RNC and Node B. The RACH transport frame header includes the Cell Frame Number (FNCCell). The RACH transport frame body includes the data received over radio interface. The transport frames can be carried on pre-defined transmission links or switched connections. One Iub RACH data stream is carried on one transport bearer.

For each RACH in a cell, an Iub RACH data stream must be established over the Iub interface.

4. Iub FACH data stream

The Iub interface provides means for transport of downlink FACH transport frames between RNC and Node B. The FACH transport frame header includes the Cell Frame Number (FNCCell). The FACH transport frame body includes the data to be sent over radio interface. The transport frames can be carried on pre-defined transmission links or switched connections. One Iub FACH data stream is carried on one transport bearer.

For each FACH in a cell, an Iub FACH data stream must be established over the Iub Interface.

5. Iub DSCH data stream

The Iub interface provides the means for transport of downlink shared channel, DSCH, data frames between RNC and Node B. The DSCH Iub frame body comprises of data to be transferred over the radio interface. The Iub DSCH frames can be carried on pre-defined transmission links or switched connections.

One Iub DSCH data stream is carried on one transport bearer.

The Iub DCH data stream shall follow the same specification as the Iur DCH data stream.

Over the Iub interface between the RNC and one Node B, one or more Iub data streams are established, each corresponding to one or more cells belonging to the Node B.

- Functional split over Iub

Note: This is only an initial list.

- Traffic management
- Management of dedicated resources

These functions are related to the activation of logical resources (e.g. Radio Links, Iub ports), and the connection of these various resources together.

Some freedom may be left to Node B on some functions like allocation of codes or soft combining within Node B, since soft combining has merits for being executed as close as possible to the radio (both in terms of transmission cost and efficiency). This is FFS.

In particular it is FFS whether the allocation of channelisation codes is done by the Controlling RNC or by the Node B

- Management of common radio channels

The common channels need to be controlled from the RNC. This is typically the control of the RACH channel, the information which is broadcast on the Broadcast control channel, and the control and request for sending information on the paging channels.

- Control of traffic flows

Congestion on the Iub interface will need to be covered for asynchronous flows (i.e. those which may flow via AAL5). This concerns in particular the flow from radio channels where retransmission takes place in Node B and where soft handover is not applied.

- Macro-diversity Combining of Radio Frames

Node B may perform macro-diversity combining/splitting of data streams communicated via its cells. RNC performs macro-diversity combining/splitting of Iub data streams received from/sent to several Node B(s).

- Control of Macro-diversity Combining/Splitting Topology

When requesting the addition of a new cell for a UE-UTRAN connection, the RNC can explicitly request to the Node B a new Iub data stream, in which case the macro-diversity combining and splitting function within the Node B is not used for that cell. Otherwise, the Node B takes the decision whether macro-diversity combining and splitting function is used inside the Node B for that cell i.e. whether a new Iub data stream shall be added or not.

The internal Node B handling of the macro-diversity combining/splitting of radio frames is controlled by the Node B.

- Soft Handover Decision

To support mobility of the UE to UTRAN connection between cells, UTRAN uses measurement reports from the UE and detectors at the cells. The mechanisms for this are FFS.

The RNC takes the decision to add or delete cells from the connection.

- Handling of Node B Hardware Resources

Mapping of Node B logical resources onto Node B hardware resources, used for Iub data streams and radio interface transmission/reception, is performed by Node B.

- Allocation of Downlink Channelisation Codes

Allocation of downlink channelisation codes of cells belonging to Node B is performed in the Controlling RNC.

- UpLink Power Control

This group of functions controls the level of the transmitted power in order to minimise interference and keep the quality of the connections. The function UL Outer Loop Power Control located in SRNC sets the target quality for the UL Inner Loop Power Control function located in Node B.

- Down-Link Power Control

This group of functions controls the level of the downlink transmitted power in order to correct the downlink power drifting between several radio links. SRNC regularly (or under some algorithms) sends the target down link power range based on the measurement report from UE.

- Admission Control

The Admission Control function based on UL interference and DL power is located in the Controlling RNC. The Node B shall be able to report UL interference measurements and DL power information over Iub.

The Controlling RNC controls this reporting function, i.e. if these information need to be reported and the period of these reports.

Note : Other parameters for Admission Control are FFS.

Note : The possibility to have this Admission Control function in Node B is FFS.

- **Node B logical Model over Iub**

The model described in Figure 19. shows the Node B as seen from the controlling RNC. The model includes:

- the logical resources provided by Node B to UTRAN (via its Controlling RNC)
- the dedicated channels which have been established on Node B
- the common channels that Node B provides to the RNC

The procedures for controlling the connections between radio links and Iub DCH data ports are sent from the RNC to the Node B via the Communication Control Ports.

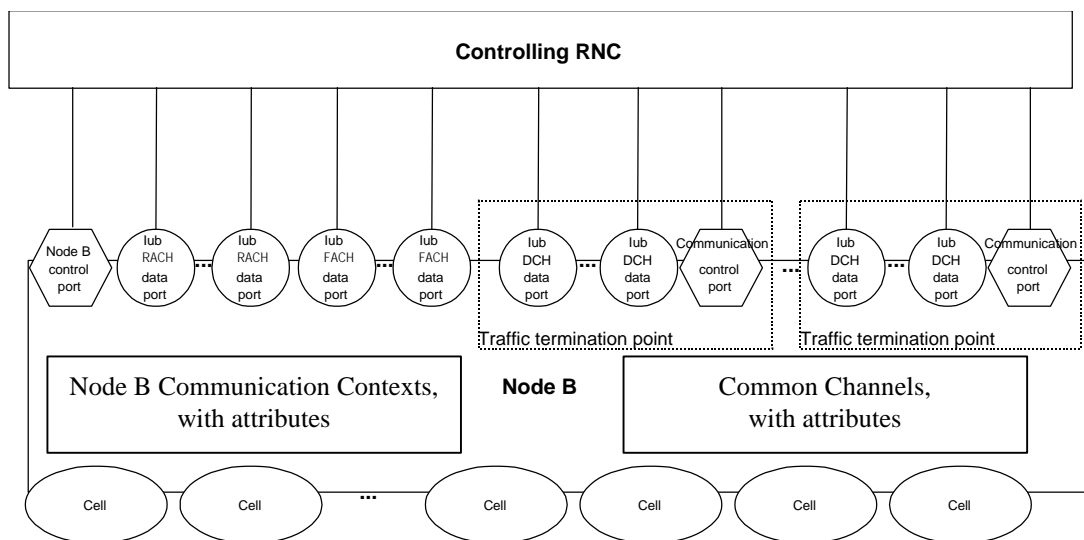


Figure 19. Logical Model of Node B

- Elements of the logical model

- Radio Network Logical resources

1. **Cell :**

The notion of cell is the same as defined for the DRNC. Node B may have one or more cells.

- Transport network logical resources

1. **Node B Control Port**

The Node B Control Port is used to exchange the signalling information for the logical O&M of Node B resources, the creation of Node B Communication Contexts, the configuration of the common transport channels that Node B provides in a given cell, PCH and BCH control information between the RNC and the Node B. The Node B Control Port corresponds to one signalling bearer between the controlling RNC and the Node B. Whether there a Node B can have multiple Node B Control Ports (multiple signalling bearers), e.g. for load sharing or redundancy purposes, is FFS.

2. **Communication Control Port**

A Communication Control Port corresponds to one signalling bearer between the RNC and Node B for the control of Node B Communication Contexts. Node B may have multiple Communication Control Ports (one per Traffic Termination Point). The Communication Control Port is selected at creation of the Node B Communication Context.

3. **Traffic Termination Point**

Traffic Termination Point represents DCH data streams belonging to one or more Node B Communication Contexts (UE contexts), which are controlled via one Communication Control Port. The Traffic Termination Point is thus a descriptive entity which neither is controlled over Iub nor by O&M.

4. Iub DCH Data Port

An Iub DCH Data Port represents a user plane bearer (carrying one Iub DCH Data Stream) between the Node B and RNC.

5. Iub RACH Data Port

An Iub RACH Data Port represents a user plane bearer carrying one Iub RACH Data Stream between the Node B and the RNC. There is one RACH Data Port for each RACH channel of Node B.

6. Iub FACH Data Port

An Iub FACH Data Port represents a user plane bearer carrying one Iub FACH Data Stream between the Node B and the RNC. There is one CCH Data Port for each FACH channel of Node B.

Note : Data ports for DSCH and whether there is one port per DSCH or per UE multiplexed on a DSCH is FFS.

Note : Whether Data ports for DSCH will be part of a Traffic Termination point is FFS.

- Node B Communication Contexts for Dedicated Channels

A Node B Communication Context corresponds to all the dedicated resources which are necessary for a user in dedicated mode and using dedicated channels as restricted to a given Node B.

There are a number of Node B Communication Contexts inside a given Node B.

The attributes to a Node B Communication Context are the following (not exhaustive):

- The list of Cells where dedicated physical resources are used
- The list of DCH which are mapped on the dedicated physical resources for that Node B Communication Context
- For each DCH, Identified by its DCH-ID, the complete characteristics as defined in [8]
- The list of Iub DCH Data Ports
- For each Iub DCH Data Port, the corresponding DCH and cells which are carried on this data port
- Physical layer parameters (outer loop power control, etc)

- Common Channels

A Common Channel corresponds to a radio Common Channel as configured by the Node B.

The BCCH and the PCCH are carried directly on the Node B control port using NBAP procedures. These Common Channels will not be mapped to individual data ports.

The RACH has a associated Iub RACH Data Port and the FACH has an associated Iub FACH Data Port.(The association for the DSCH is FFS).

The attributes of a Common channel are (not exhaustive)

- Type (RACH, FACH, DSCH)
- Cell (only one)
- Associated Iub RACH Data Port for a RACH, Iub FACH Data Port for a FACH.
- Physical parameters

- Iub Protocols

As already stated in section 0 there shall exist a clear separation between the radio network layer and the transport layer. Therefore, the radio Network signalling and Iub data streams are separated from the data transport resource and traffic handling as show in Figure 20.. This resource and traffic handling is controlled by the Transport Signalling. The Transport Signalling is carried by a Signalling Bearer over the Iub interface.

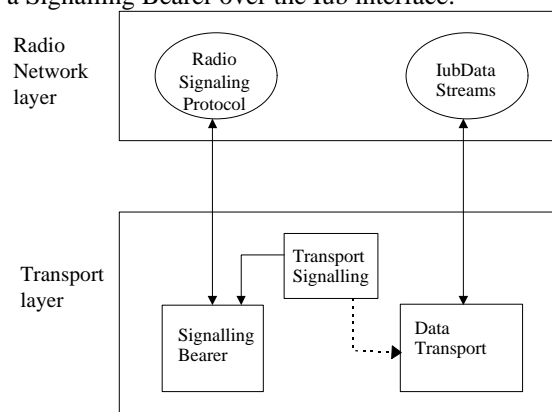


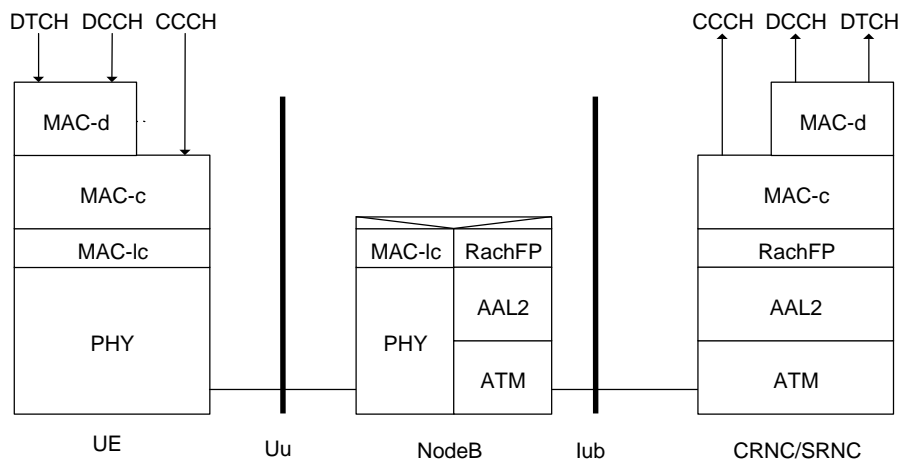
Figure 20. Separation of Radio Network protocols and transport over Iub

• Protocol Model (Informative)

The following section is an informative section which aims to provide an overall picture of how the MAC layer is distributed over Uu, Iub and Iur for the RACH, FACH and DCH.

• RACH Transport Channel

Figure 21 shows the protocol stack model for the RACH transport channel when the Controlling and Serving RNC are co-incident.



For the RACH transport channel, Dedicated MAC (MAC-d) uses the services of Common MAC (MAC-c).

Figure 21. RACH: Coincident Controlling and Serving RNC

The Common MAC (MAC-c) entity in the UE transfers MAC-c PDU to the peer MAC-c entity in the RNC using the services of the Lower Common MAC (MAC-lc).

MAC-lc in the UE has the following function:

- Compelled retransmission of RACH frames, following a power ramping algorithm, until an acknowledgement is received.

MAC-lc in the NodeB has the following function:

- Transmission of acknowledgement in response to RACH frame. This provides immediate termination of the UE power ramping to minimise overall interference contribution.

Note : These MAC-lc layer for its name and their functions are under the 3GPP TSG-RANWG2 scope and will be aligned to that group.

An Interworking Function (IWF) in the NodeB interworks the RACH frame received by MAC-lc entity into the RACH Frame Protocol (RACH FP) entity.

The RACH Frame Protocol entity adds header information to form a RACH FP PDU which is transported to the RNC over an AAL2 (or AAL5) connection.

At the RNC, the RACH FP entity delivers the MAC-c PDU to the MAC-c entity.

Figure 22 shows the protocol model for the RACH transport channel with separate Controlling and Serving RNC. In this case, Iur RACH Frame Protocol (DchFP) is used to interwork the Common MAC (MAC-c) at the Controlling RNC with the Dedicated MAC (MAC-d) at the Serving RNC (The exact Iur RACH Frame Protocol is FFS)

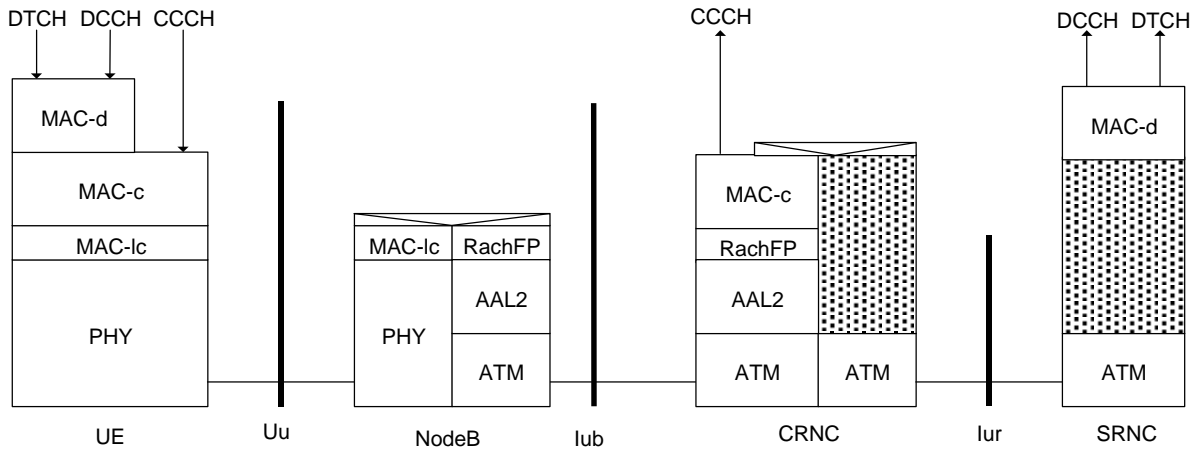


Figure 22. RACH: Separate Controlling and Serving RNC

• FACH Transport Channel

Figure 23. shows the protocol model for the FACH transport channel when the Controlling and Serving RNC are co-incident.

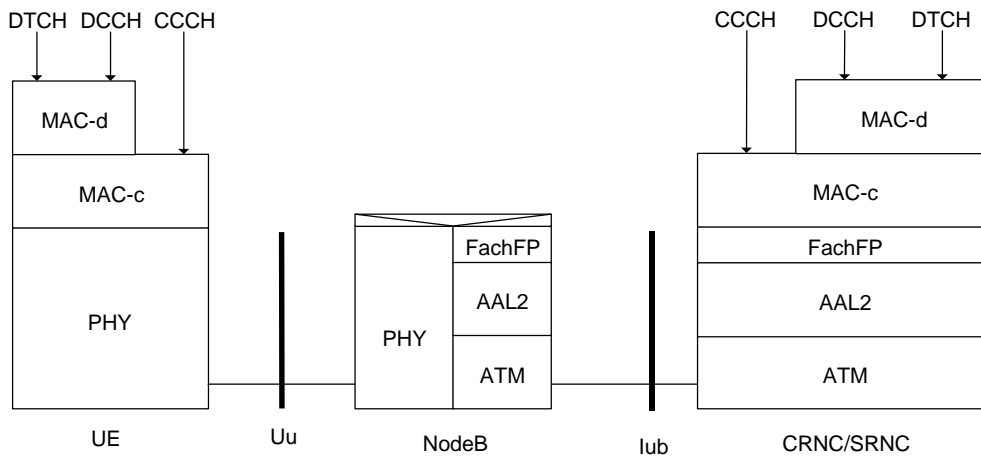


Figure 23. FACH Co-incident Controlling and Serving RNC

The Common MAC (MAC-c) entity in the RNC transfers MAC-c PDU to the peer MAC-c entity in the UE using the services of the FACH Frame Protocol (FACH FP) entity. The FACH Frame Protocol entity adds header information to form a FACH FP PDU which is transported to the NodeB over an AAL2 (or AAL5) connection. An Interworking Function (IWF) in the NodeB interworks the FACH frame received by FACH Frame Protocol (FACH FP) entity into the PHY entity. FACH scheduling is performed by MAC-c in the CRNC. Figure 24. shows the protocol model for the FACH transport channel with separate Controlling and Serving RNC. In this case, Iur FACH Frame Protocol is used to interwork the Common MAC (MAC-c) at the Controlling RNC with the Dedicated MAC (MAC-d) at the Serving RNC (The exact Iur RACH Frame Protocol is FFS)

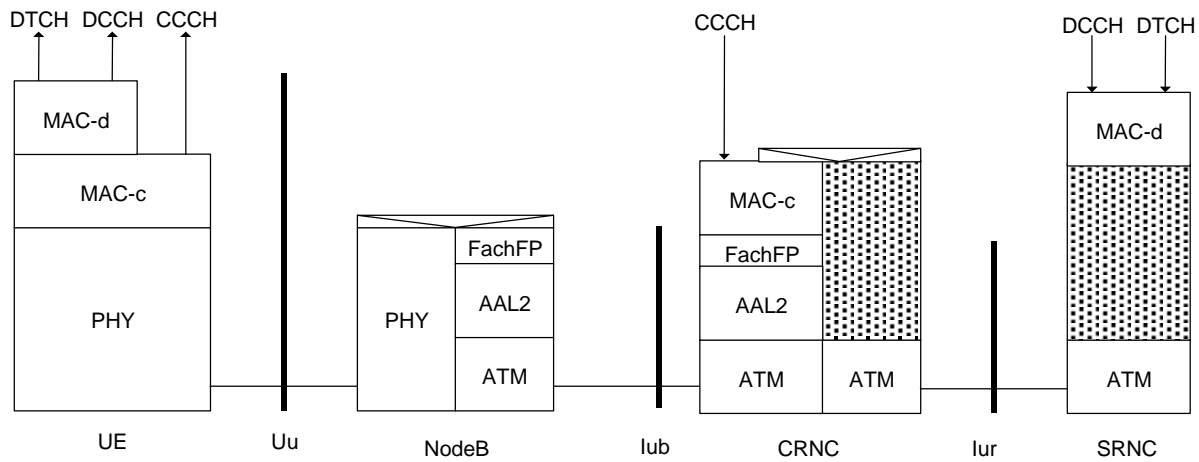


Figure 24. FACH: Separate Controlling and Serving RNC

- DCH Transport Channel

Figure 25. shows the protocol model for the DCH transport channel when the Controlling and Serving RNC are co-incident.

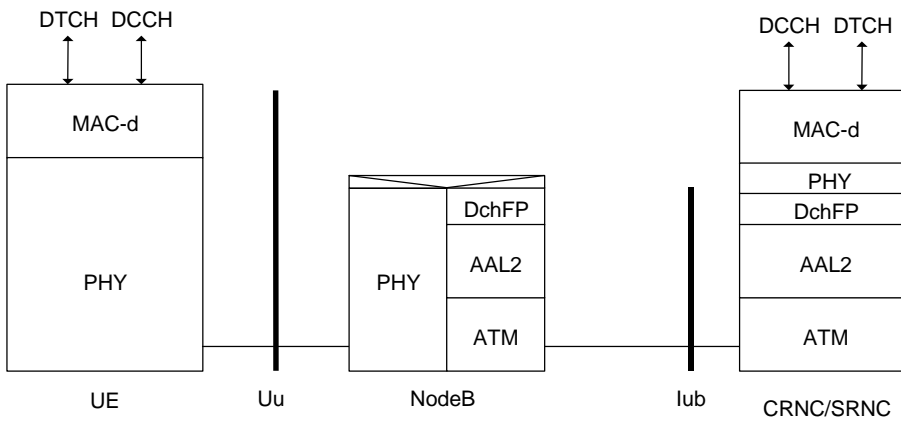


Figure 25. DCH: Co-incident Controlling and Serving RNC

The DCH transport channel introduces the concept of distributed PHY layer.

An Interworking Function (IWF) in the NodeB interworks between the DCH Frame Protocol (DCH FP) entity and the PHY entity.

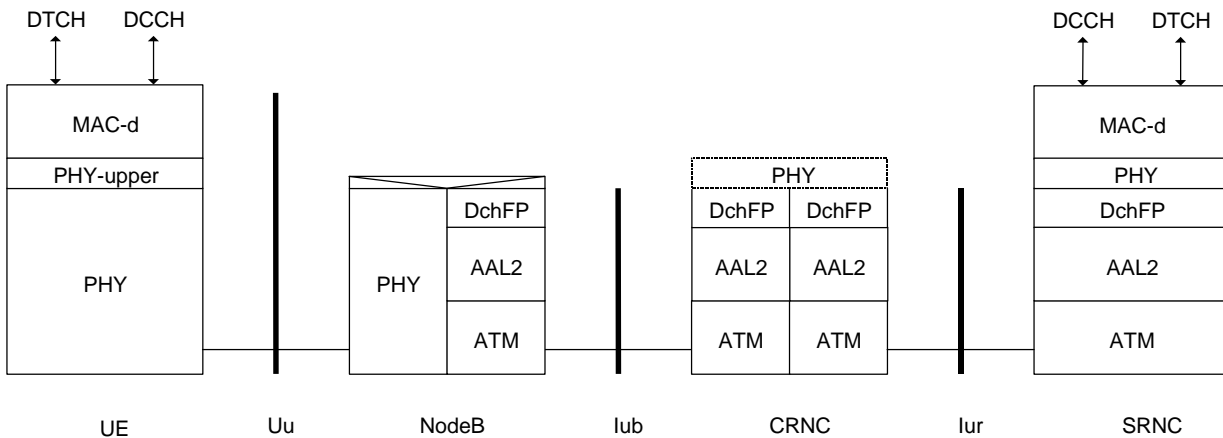


Figure 26. DCH: Separate Controlling and Serving RNC

Figure 26. shows the protocol model for the DCH transport channel with separate Controlling and Serving RNC. In this case, the Iub DCH FP is terminated in the CRNC and interworked with the Iur DCH FP through a PHY function. This function performs optional soft handover or can be a null function.

UTRAN Transport bearers

- Iu Transport bearers
- Radio Application Control Plane Transport bearers

Over the Iu interface the RANAP protocol requires:

- A connectionless transport of RANAP messages to facilitate e.g. Paging.
- A connection oriented transport of RANAP messages e.g. to facilitate messages belonging to a specific User equipment (UE) during a call.
- A reliable connection to make the RANAP simpler.
- Support of signalling inactivity testing of a specific UE connection.
- Transport Network Control Plane Transport bearers

MTP3B/SAAL-NNI is selected as the standard signalling transport bearer for Q.aal2 over Iu.

Note : This ALCAP protocol and signalling bearer are based on the working assumption that the CODECs are located in the Core Network. If the CODECs are located in UTRAN, this will have to be reconsidered.

- User Plane Transport bearers

User Plane Transport bearer are established and released from the serving RNC.

Mapping of Radio Access Bearer QoS attributes to Transport bearer characteristics is done in the serving RNC only.

The binding identity shall already be assigned and tied to a radio application procedure when the first ALCAP message is received in the Core Network.

- Iur Transport bearers
- Radio Application Control Plane Transport bearers

Editor's Note : This section will need some cleaning and parts should be moved in other sections.

There exist at least two major types of soft handover over the Iur interface:

1. The case when a new physical transmission (Iur data stream) is set up over the Iur interface to provide an additional cell.
2. The case when existing transmission (Iur data stream) is used over the Iur interface when an additional cell is added in the DRNS. In this case, the DRNS must be able to identify the UE in order to perform the adding of the cell. Consequently, a UE context must exist in the DRNS.

Over the Iur interface the RNSAP protocol requires:

- A connection oriented transport of RNSAP messages, i.e. one signalling bearer connection for each DRNS for a particular UE.
- A reliable connection to make the RNSAP simpler.
- Support of signalling inactivity testing of a specific UE connection.

- **Addressing of RNSs over the Iur Interface**
 - For an RRC connection using a dedicated channel, the Iur standard shall allow the addition / deletion of cells belonging to any RNS within the PLMN.
 - The specification of the Iur interface shall allow the SRNC (i.e. the RNC of the SRNS) to address any other RNC in the PLMN for establishing a signalling bearer over Iur.
 - The specification of the Iur interface shall allow the SRNC (i.e. the RNC of the SRNS) to address any other RNC within the PLMN for establishing user data bearers for Iur data streams.

Note : Connectionless RNSAP over Iur is for further studies.

RNSAP shall allow different kinds of addressing schemes to be used for the signalling bearer.

- **Transport Network Control Plane Transport bearers**

MTP3B/SAAL-NNI is used as signalling bearers for the Transport Network Control Plane Signalling on the Iur.

- **User Plane Transport bearers**

User Plane Transport bearer are established and released from the serving RNC.

The binding identity shall already be assigned and tied to a radio application procedure when the first ALCAP message is received in the DRNC.

ATM and AAL type 2 (I363.2 and I.366.1) is used as the standard transport layer for Soft Handover data stream across the Iur interface. Other protocols, such as Frame Relay and AAL5, are FFS.

- **Iub Transport bearers**
- **Radio Application Control Plane Transport bearers**
- **Transport Network Control Plane Transport bearers**
- **User Plane Transport bearers**

User Plane Transport bearer are established and released from the Controlling RNC.

The binding identity shall already be assigned and tied to a radio application procedure when the first ALCAP message is received in the Node B.

ATM and AAL type 2 (I363.2 and I.366.1) is used as the standard transport layer for Soft Handover data stream across the Iub interface. Other protocols, such as Frame Relay and AAL5, are FFS.

UTRAN Performance Requirements

- **UTRAN delay requirements**

The maximum transmission delay of a diversity branch and the maximum processing delay introduced by single UTRAN network elements shall be defined.

History

Document history		
0.0.1	February 1999	Document Structure Proposal
0.0.2	February 1999	<ul style="list-style-type: none"> • Use of 3GPP Template • Introduction of content from the Merged UTRAN Architecture Description

0.0.3	February 1999	Annexe A : Protocol Stacks for Distributed MAC moved to section " Protocol Model".
0.0.4	March 1999	<p>Approval of revisions of version 0.0.3</p> <p>Revised according to the decision of 3GPP TSG RAN WG3 Meeting #2</p> <ul style="list-style-type: none"> • Title of the document changed to UTRAN Overall Description • Modification of section " Allocation of Downlink Channelisation Codes " according to the result of Study Item ARC/2 • Update of section " 0 UTRAN OA&M Requirements " from Tdoc R3-99155. • Creation of section " UTRAN Identifiers" and introduction of DCH-ID in the logical model of Node B according to Tdoc R3-99174. • Alignment of section " Usage of RNTI " with the liaison from TSG RAN WG2. • Update of sections " , and User Plane Transport bearers"according to Tdoc R3-99190. • Enancement of section " Node B logical Model over Iub " from Tdoc R3-99160. • Enancement of section " DRNS logical Model over Iur " from Tdoc R3-99159.
0.0.5	April 1999	<p>Revision of 0.0.4 according to remarks sent on mail reflector :</p> <ul style="list-style-type: none"> • Addition of reference to UMTS 23.10 • Fixed references to documents in sections and . • Cleaning of Sections , , and . • Alignment of section " Radio Application Control Plane Transport bearers " S23.30. • Revoval of QoS mapping from section " User Plane Transport bearers " • Creation of section " General Protocol Model for UTRAN Interfaces " to capture the agreed UTRAN interfaces protocol model from Tdoc R3-99223.
0.1.0	April 1999	Mail Approval of version 0.0.5 by TSG RAN WG3.

Rapporteur for 3GPP RAN S3.01 is:

Jean Marie Calmel
 Nortel Wireless Networks
 Tel. : +33 1 39 44 52 82
 Fax : +33 1 39 44 50 54
 Email : calmel@nortelnetworks.com

This document is written in Microsoft Word version 97