

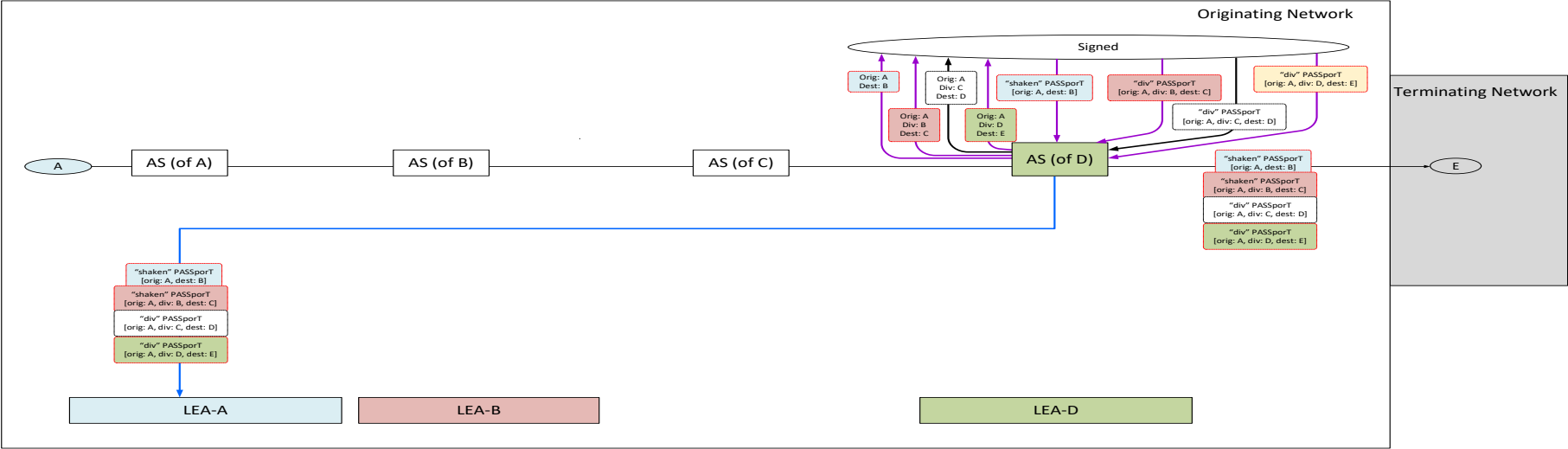
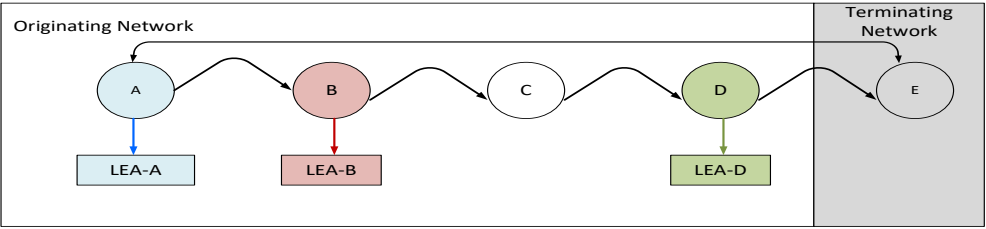
# STIR/SHAKEN LI enhancements - Part II (requirements)

Nagaraja (Nag) Rao; Boca Raton, FL

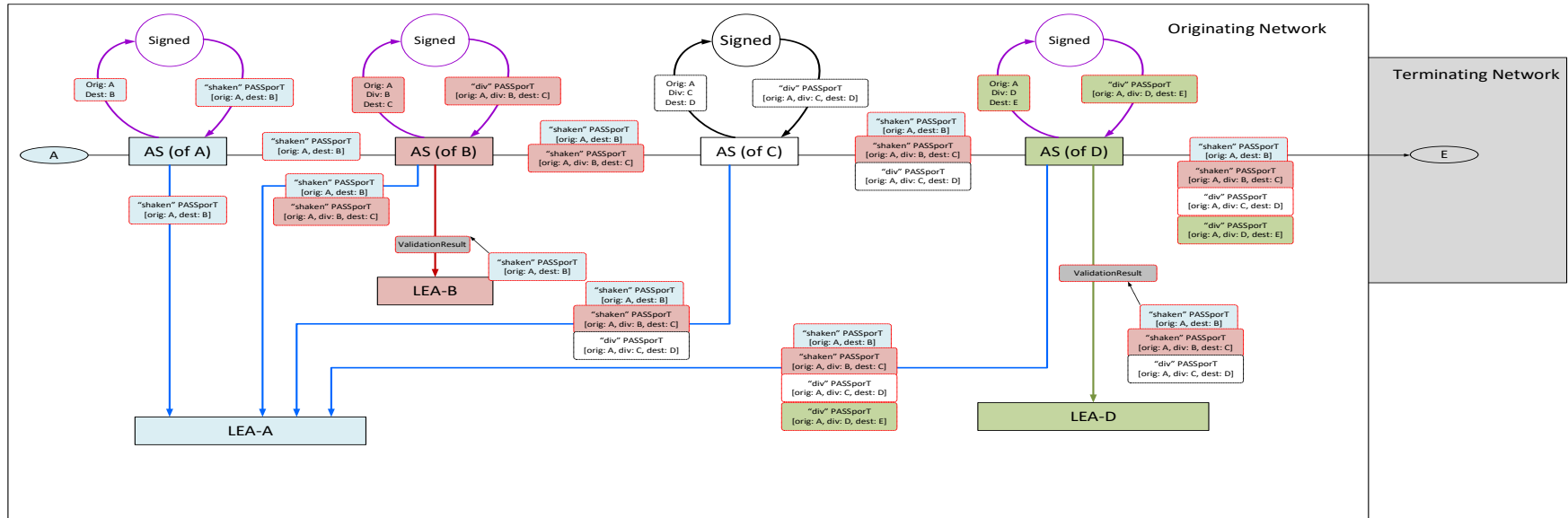
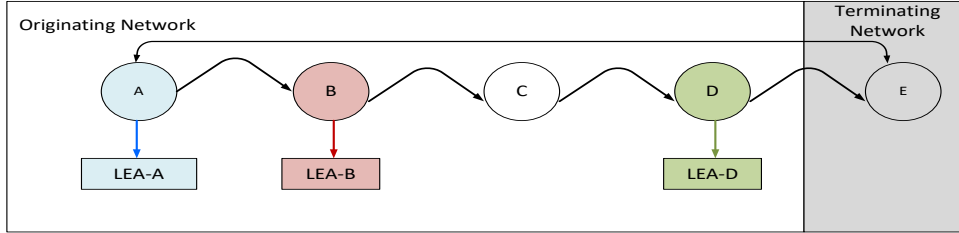
# Recap

## (TS 33.128)

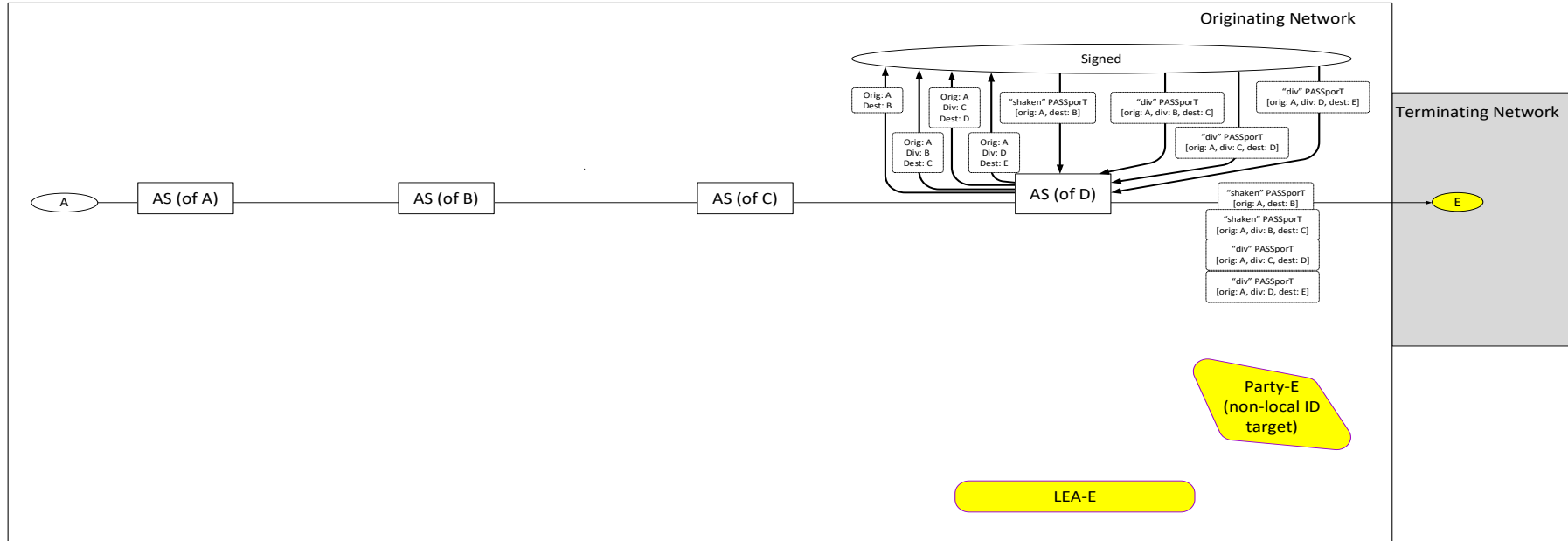
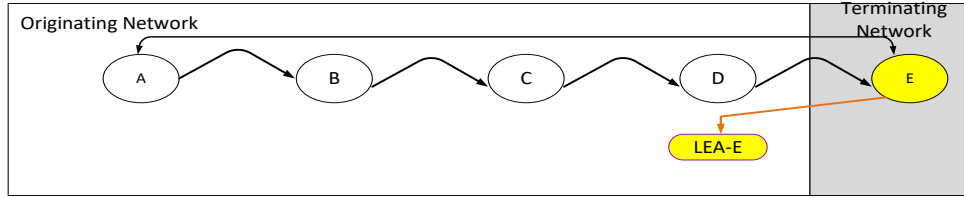
# Current (TS 33.128): Intra-network sessions are not signed/verified



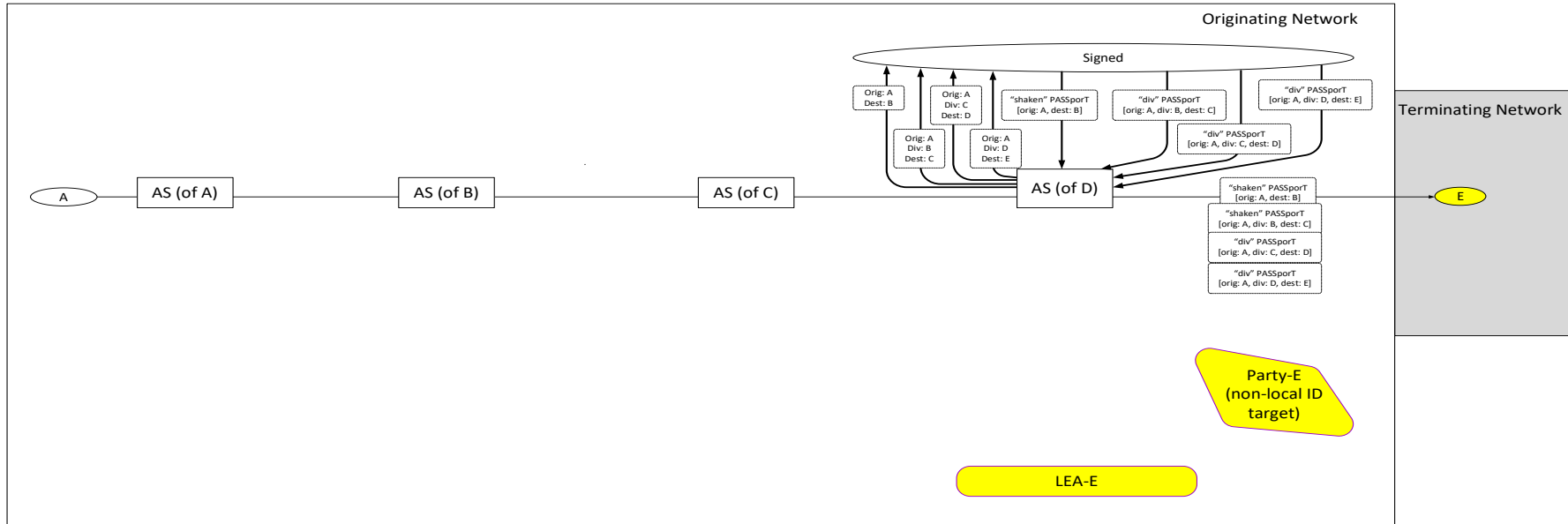
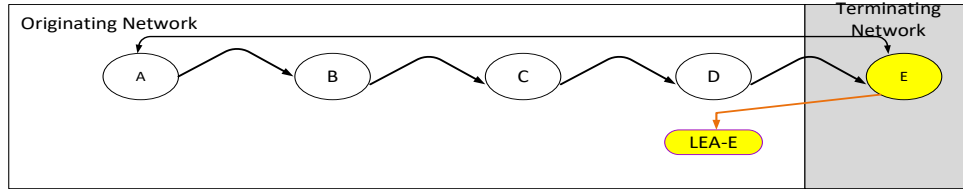
# Current (TS 33.128): intra-network sessions are signed/verified



# Current (TS 33.128): Intra-network sessions are not signed - target non-local ID



# Current (TS 33.128): Intra-network sessions are signed/verified – target non-local ID



# Regulations aspects to considered

# Considerations to regulations

- **Signature is reported when target's ID is signed and included in the PASSporT:**

- If a call from A (target) to B (intra-network) is redirected to C, A's signature shall be delivered to A's LEA.
  - B's signature (if signed) shall not be delivered to A's LEA.
- If B is a target, B's signature (if signed) shall be delivered to B's LEA.
  - A's signature verification result (if verified) along with the A's signature is delivered to B's LEA.

NOTE: A's signature is delivered to B's LEA because A's signature would have been delivered to B's LEA as a part of verification result, if the call were to be verified.

- **Signature is reported when any ID on the call is signed and included in the PASSporT:**

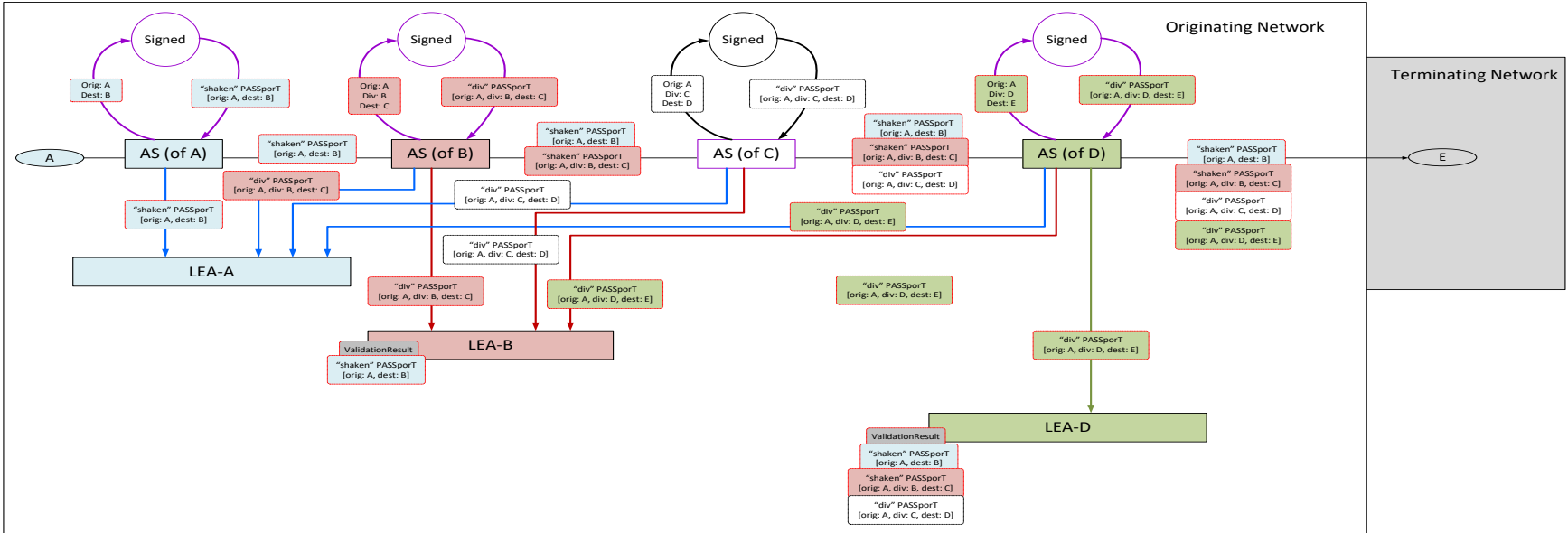
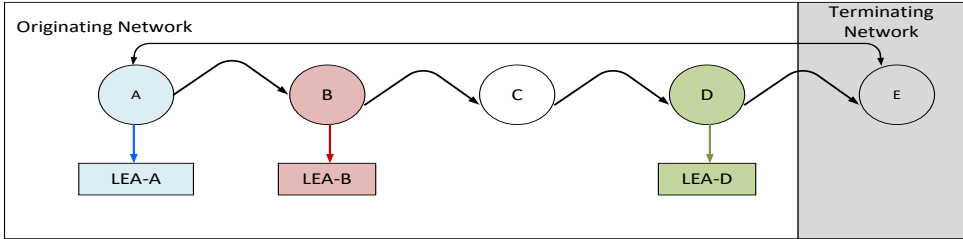
- If a call from A (target) to B (intra-network) is redirected to C, A's signature and B's signature (if signed) shall be delivered to A's LEA.
- If B is a target, A's signature and B's signature (if signed) is delivered to B's LEA.

NOTE: A's signature verification result (if verified) along with the A's signature is delivered to B's LEA.

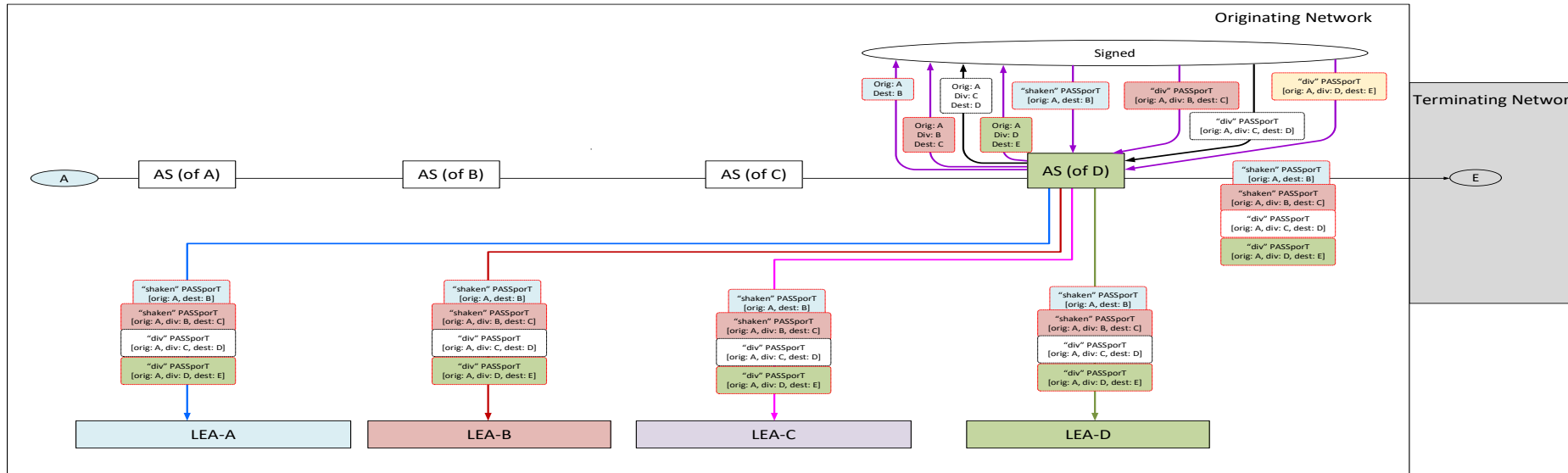
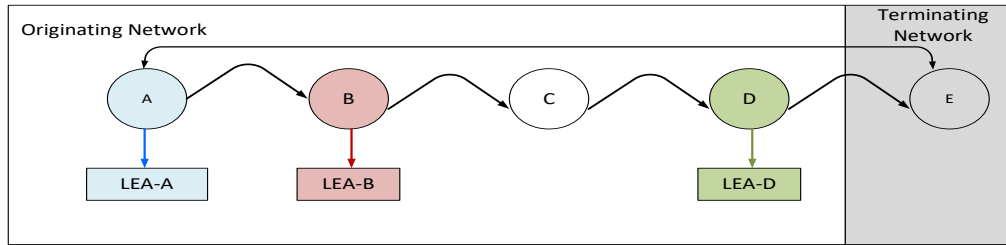


Signature is reported when any ID on the call is  
signed and included in the PASSporT

# Intra-network sessions are signed/verified

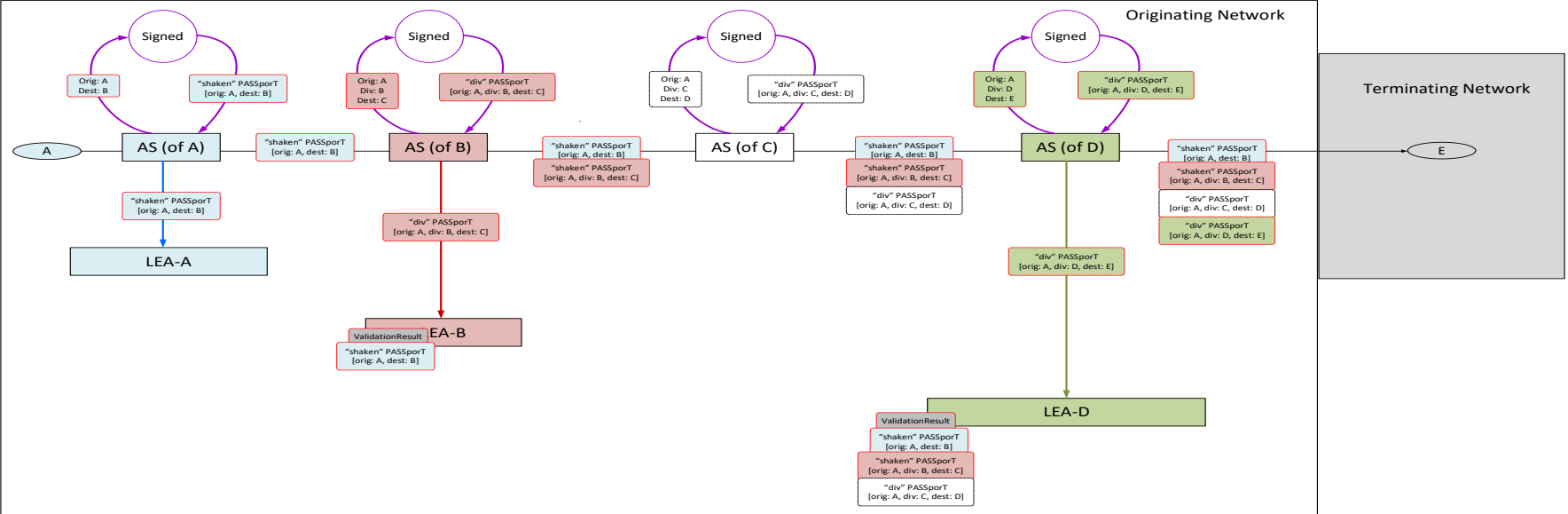
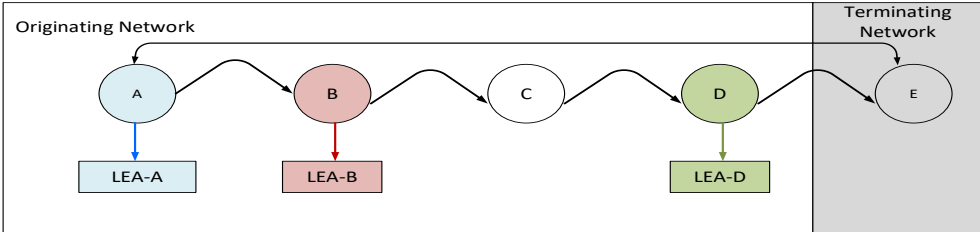


# Intra-network sessions are not signed

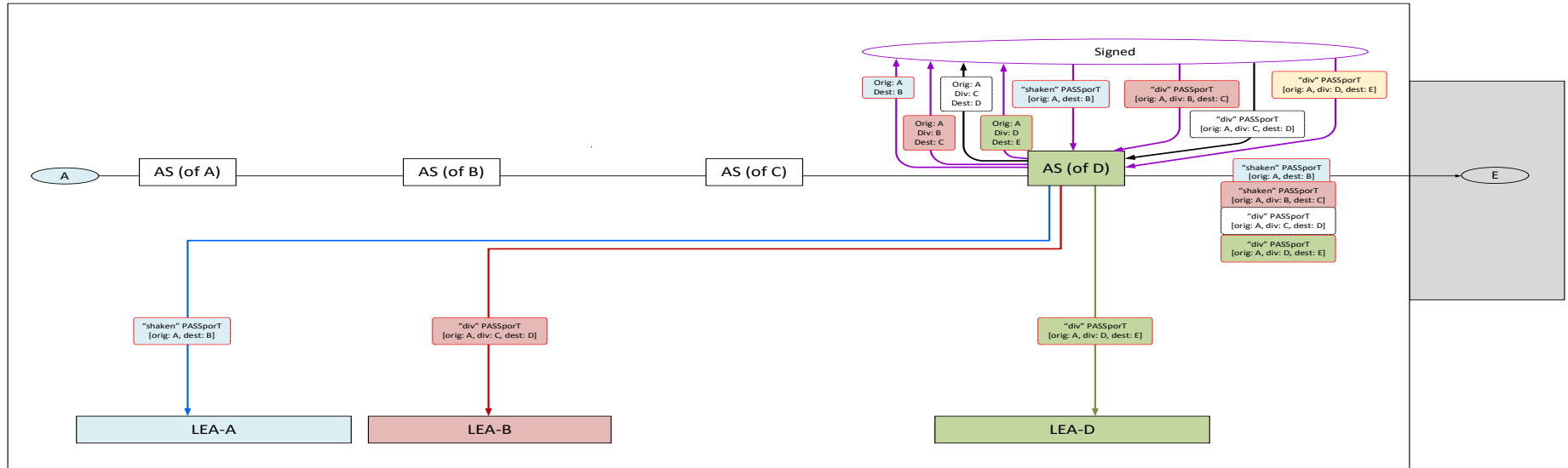
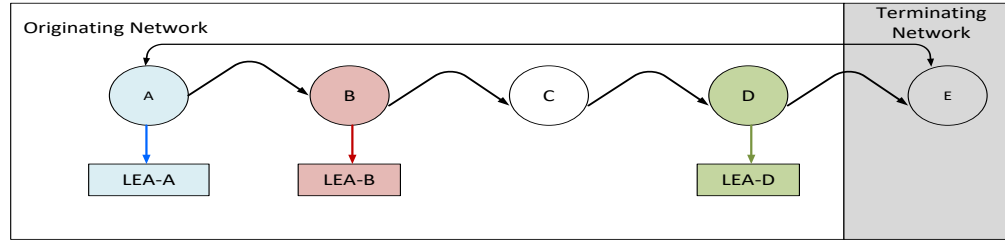


Signature is reported when target's ID is signed and  
included in the PASSporT

# Intra-network sessions are signed/verified

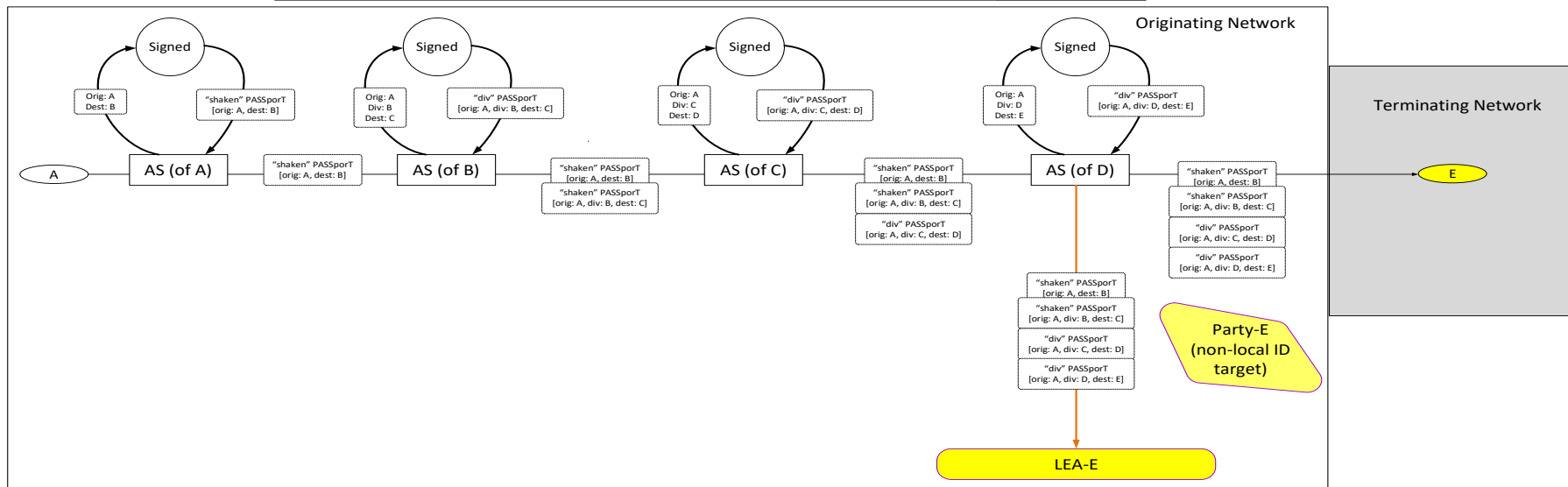
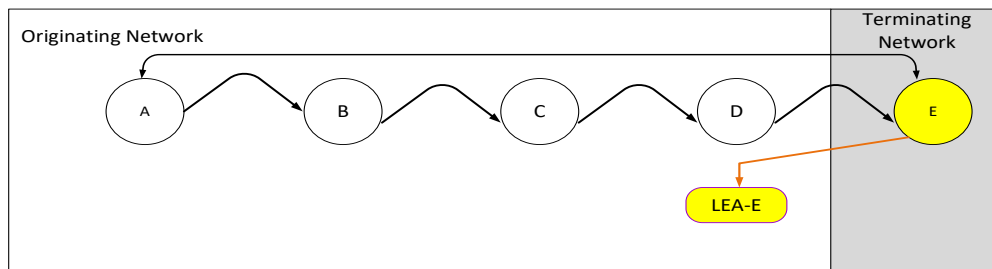


# Intra-network sessions are not signed



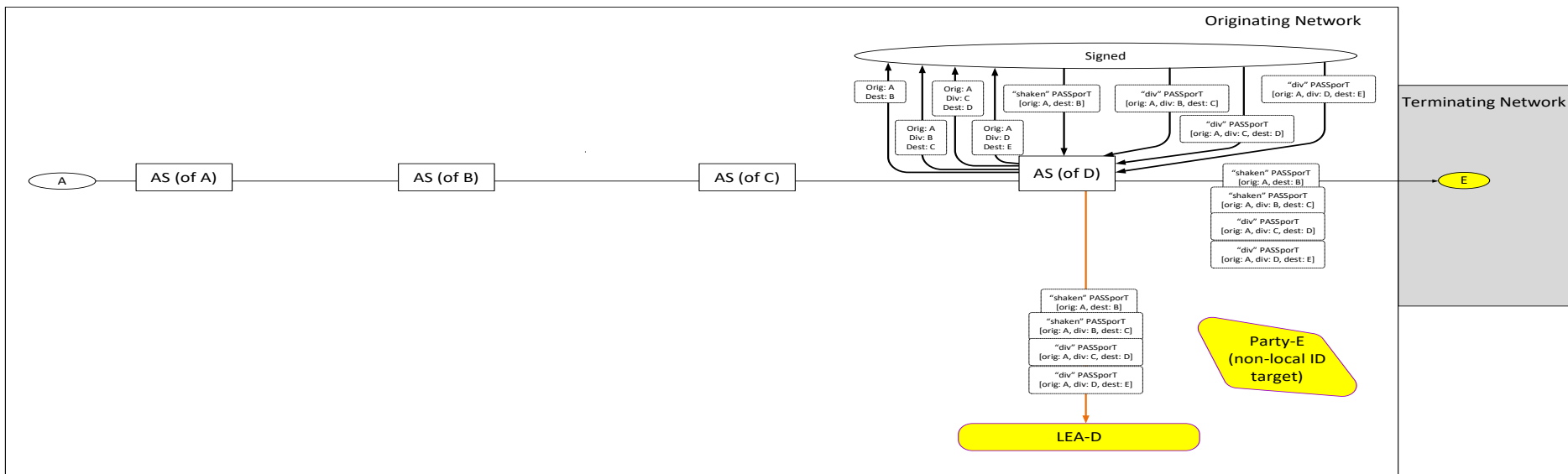
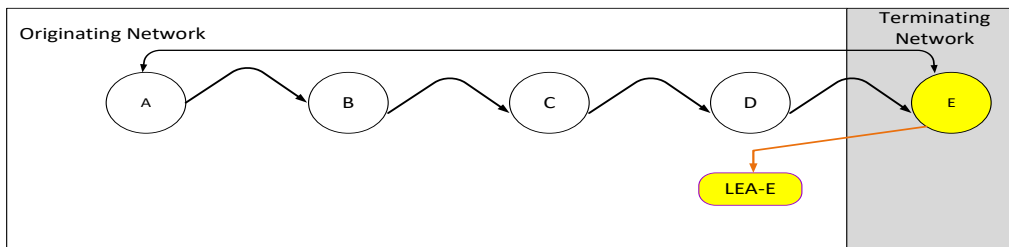
## Target non-local ID

# Intra-network sessions are signed/verified – target non-local ID





# Intra-network sessions are not signed/verified – target non-local ID



# Concept to realize the requirements

- A parameter referred to as DivPASSporTScope is provisioned into IRI-POI in LI\_X1: ActivateTask.
  - When the parameter value is NO:
    - Signature is reported when target's ID is signed and included in the PASSporT:
    - This applies to calling party and redirecting parties.
    - Verification result may tag along any signature of calling party or prior redirecting party (ies).
  - When the parameter value is YES:
    - Signature is reported when any ID on the call is signed and included in the PASSporT:
    - This applies to calling party and the redirecting parties.
- 
- When the destination party is a target non-local ID, the reported signature will include all PASSporTs sent to the terminating network.

**NOKIA**