

CR-Form-v7
CHANGE REQUEST
33.108 CR CRNum # rev - # Current version: 6.5.0

For **HELP** on using this form, see bottom of this page or look at the pop-up text over the # symbols.

Proposed change affects: UICC apps# ME Radio Access Network Core Network

Title:	#	Correction on interception identities in multi-media domain	
Source:	#	SA3-LI	
Work item code:	#	SEC1-LI	Date: # 15-04-2004
Category:	#	F	Release: # Rel-6
		Use <u>one</u> of the following categories:	Use <u>one</u> of the following releases:
		F (correction)	2 (GSM Phase 2)
		A (corresponds to a correction in an earlier release)	R96 (Release 1996)
		B (addition of feature),	R97 (Release 1997)
		C (functional modification of feature)	R98 (Release 1998)
		D (editorial modification)	R99 (Release 1999)
		Detailed explanations of the above categories can be found in 3GPP TR 21.900 .	Rel-4 (Release 4)
			Rel-5 (Release 5)
			Rel-6 (Release 6)

Reason for change:	#	Chapter 7 states that for the identification of the intercepted traffic in multi-media domain only the SIP-URL is available. This is not according to other sections of the same TS and to TS 33.107, which state that also TEL-URL can be used.
Summary of change:	#	TEL-URL is added in chapter 7 as possible identity for interception in multi-media domain.
Consequences if not approved:	#	Wrong information and unclear description in the TS. Misalignment with other sections of the TS and TS 33.107.

Clauses affected:	#	7								
Other specs affected:	#	<table border="1" style="display: inline-table; vertical-align: middle;"> <tr> <td style="width: 20px; text-align: center;">Y</td> <td style="width: 20px; text-align: center;">N</td> </tr> <tr> <td style="text-align: center;">#</td> <td style="text-align: center;">X</td> </tr> <tr> <td style="text-align: center;">#</td> <td style="text-align: center;">X</td> </tr> <tr> <td style="text-align: center;">#</td> <td style="text-align: center;">X</td> </tr> </table> Other core specifications # Test specifications # O&M Specifications #	Y	N	#	X	#	X	#	X
Y	N									
#	X									
#	X									
#	X									
Other comments:	#									

*** FIRST MODIFICATION ***

7 Multi-media domain

This clause deals with IRI reporting in the IMS. See Annexes C and G for CC interception at the SGSN/GGSN.

According to TS 33.107 [19], interception has to be supported in P-CSCF and S-CSCF. For the identification of the intercepted traffic only the SIP-URL and TEL-URL ~~is~~ are available. In the intercepting nodes (CSCF's) the relevant SIP-Messages are duplicated and forwarded to the MF HI2.

For clarification see following Figure 7.1. If P-CSCF and S-CSCF are in the same network the events are sent twice to the LEMF.

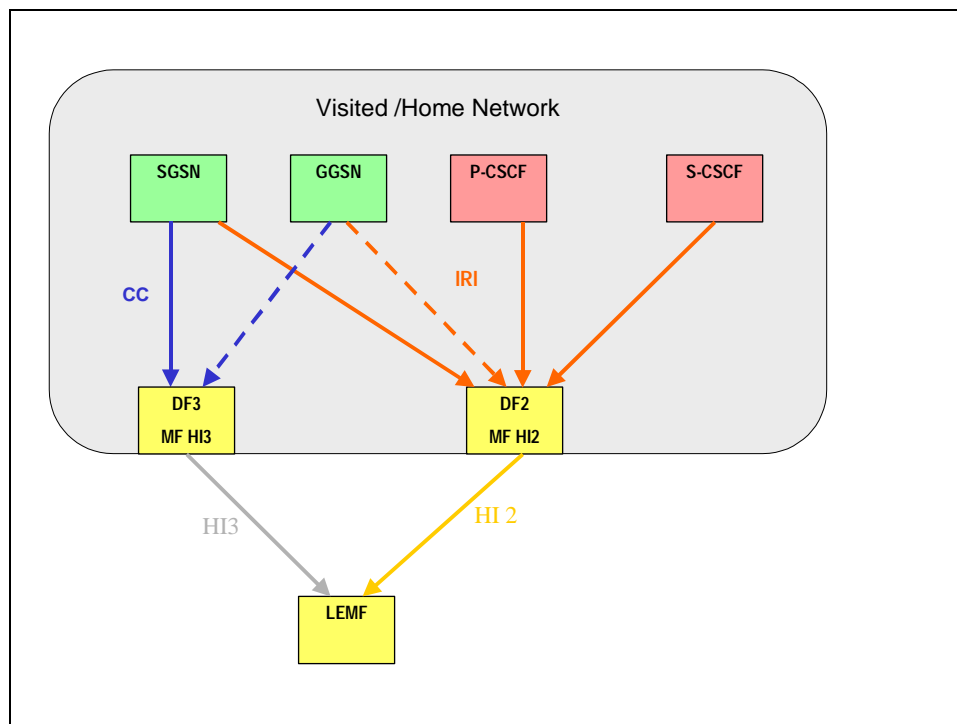


Figure 7.1: IRI Interception at a CSCF

*** END OF MODIFICATIONS ***