

Title: MMS WID MM4 Private addressing

Note from TSG SA / SA WG3 Secretary.

The attached LS was sent to TSG SA (SP-030746) with TP-030299 attached. TSG SA #22 dealt with the LS as follows (extract from TSG SA #22 draft Report version 0.0.7):

TD SP-030746 LS (from TSG T) to TSG SA cc: SA WG1, T WG2 on WID Handling of private addressing schemes in MMS. This was introduced by TSG T Secretary and requested that TSG SA review the attached WID with a view to expediting its approval in order to allow T WG2 to commence its work in January 2004. TSG SA noted that T WG2 were to work on this and asked SA WG1, SA WG2 to consider the work in the context of their VPN work and SA WG3 to consider the Security impacts. **The LS should be forwarded to SA WG1 and SA WG3 in addition to the currently addressed groups.** Supporting companies were asked to contribute to SA WG1 in order to progress the work. The feasibility for inclusion in Rel-6 would be determined by the amount of and progress of the work in the impacted WGs.

3GPP TSG-T (Terminals) Meeting #22
Maui, Hawaii, USA
10 - 12 December, 2003

TP-030310

Title: MMS WID MM4 Private addressing

Source: TSG-T

To: SA

Cc: SA1, T2

Contact Person:

Name: Ian Harris

Tel. Number: +44 7785 360000

E-mail Address: iharris@rim.net

Attachments: TP-030299 (Note- the changes highlighted in the attachment are changes made by TSG-T to the original WID submitted by TSG-T2)

1. Overall Description:

TSG-T2 presented the attached WID to TSG-T#22

TSG-T wishes to support this WID but felt that its approval is a matter for SA

Some TSG-T delegates expressed the following concerns

- The interaction of the VPN work in this WID with VPN work taking place in other 3GPP TSG's including security matters.
- The possibility that SA2 and SA3 may also need to be consulted

TSG-T noted the need expressed in the WID to complete the work in the REL-6 timeframe. Currently this is June 2004. In order to meet this target date, TSG-T2 has planned to start work in January 2004 well in advance of their Plenary meeting (TSG-T2#24 16th – 20th February 2004).

TSG-T is aware that SA1 would normally be consulted if appropriate in the first instance but wishes to take the opportunity of the TSG-SA#22 meeting to minimise delay which could arise through SA, SA1 meeting schedules

2. Actions:

ACTION: TSG-T requests that SA reviews this WID with a view to expediting its approval in order to allow TSG-T2 to commence its work in January

3. Date of Next 3GPP TSG-T Meetings:

TSG-T Meeting #23 10-12 March 2004

Phoenix, Arizona, USA.

Work Item Description

Handling of private addressing schemes in MMS

1 3GPP Work Area

	Radio Access
X	Core Network
X	Services

2 Linked work items

- *MMS Service Requirements (SA1)*
- *Charging (SA5)*
- *MMS Enhancements - REL6 (T2)*

3 Justification

A need for handling subscriber-specific, flexible addressing in MMS is identified. Examples for Services which need such subscriber-specific and flexible addressing are Virtual private Networks (VPN) and Address Hunting Services, which make use of private numbering schemes. To fulfil this need the following item is proposed to be included in the expected work on MMS.

The described feature is seen as a big enhancement of the MMS service and will help to improve the acceptance of the user and addresses as well needs of corporate customers.

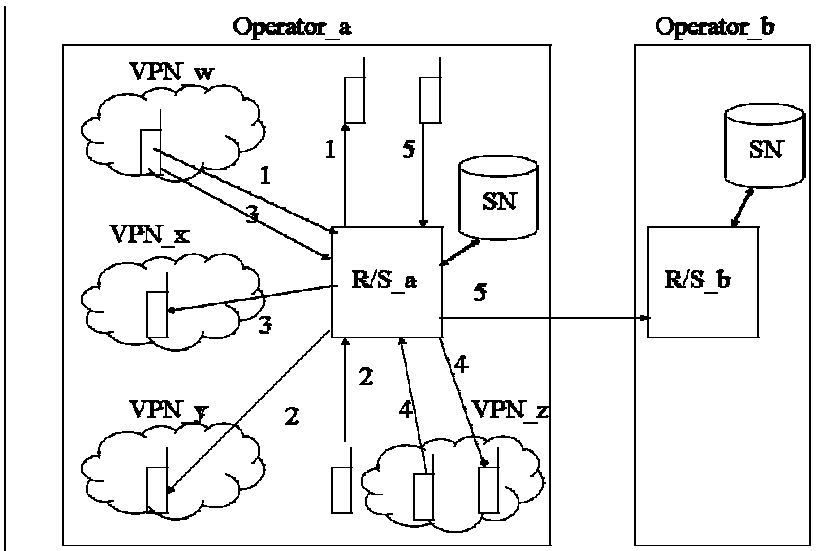
The co-signing companies are committed to complete the WID within the known [MMS REL-6](#) Timeframe [currently targeted for June 2004](#).

4 Objective

This Work Item will target the following areas:

- Means to recognize that an address resolution shall be performed.
- Establishment of methods to interrogate Network Based service Nodes to exchange all necessary service information.
- Enhancements on existing billing specification to ensure that all service relevant data can be captured.
- Study the impacts on privacy, security and routing

Example Use Case “Virtual Private Network”



VPN use cases (non exhaustive list)

- 1. VPN user sends MMS to a non-VPN user (same operator)
- ~~1.2.~~ Non-VPN user sends MMS to a VPN user (same operator)
- ~~1.3.~~ VPN user sends MMS to a VPN user (same operator, different VPN)
- ~~1.4.~~ VPN user sends MMS to a VPN user (same operator, same VPN)
- ~~1.5.~~ Non-VPN user sends MMS to a user (different operators)

5 Service Aspects

- The feature allows users to use an abbreviated way to identify themselves or MMS recipients.

6 MMI Aspects

- Possible impact, since supporting and displaying of private Number schemes is necessary.

7 Charging Aspects

As both the original and the modified addresses may be relevant for charging, the charging capabilities (CDR and prepaid) have to be enhanced.

8 Security Aspects

- To be determined

9 Impacts

Affects:	USIM	ME	AN	CN	Others
Yes		X		X	
No	X		X		
Don't know					X

Note: Reason for potential ME impact: The addressing scheme of the MMS UA currently supports (E.164/MSISDN, RFC2822, short codes). This might need to be enlarged in order to support private numbering schemes.

10

Expected Output and Time scale (to be updated at each plenary)

New specifications						
Spec No.	Title	Prime rsp. WG	2ndary rsp. WG(s)	Presented for information at plenary#	Approved at plenary#	Comments
Affected existing specifications						
Spec No.	CR	Subject		Approved at plenary#	Comments	
22.140		Multimedia Messaging Service; Service aspects; Stage 1		SA# 23	Under SA1 responsibility	
23.140		Multimedia Messaging Service (MMS); Functional description; Stage 2		T# 24	Under T2 responsibility	
32.270/ 32.235		Charging data description for application/MMS services		SA# 24	Under SA5 responsibility	

11 Work item rapporteurs

Matthias Rübke, T-Mobile

12 Work item leadership

TSG-T2

13 Supporting Companies

T-Mobile, Ericsson, Orange, Vodafone, Huawei

14 Classification of the WI (if known)

	Feature (go to 14a)
X	Building Block (go to 14b)
	Work Task (go to 14c)

[14b](#) This building block belongs to the parent feature “Multimedia Messaging Enhancements”