



## LIAISON STATEMENT

Title: IMSInOMA status information to 3GPP SA  Public  Confidential LS<sup>1</sup>  
Date: 02 December 2004  
To: 3GPP TSG SA, plenary meeting, 13-16 December, Athens.  
Copy: Technical Plenary of the Open Mobile Alliance (OMA TP)  
Source: Architecture group of the Open Mobile Alliance (OMA ARC)  
Send Replies to: Musa Unmehopa. Lucent Technologies, [unmehopa@lucent.com](mailto:unmehopa@lucent.com)  
Contact(s): Serafin Arroyo, SIEMENS AG, [serafin.arroyo@siemens.com](mailto:serafin.arroyo@siemens.com)  
Attachments:

### 1 Overview

OMA architecture group (OMA ARC) would like to inform 3GPP TSG SA and its working groups about the status of IMS issues in the Open Mobile Alliance.

OMA ARC presented the attached document last OMA Technical Plenary in Barcelona on 18<sup>th</sup> November 2004, to inform about good progress and IMS activities in this group to the other OMA groups.

On November 2003, OMA TP approved the WI 0076-IMSInOMA about Utilization of IMS capabilities. After one year of intensive work, OMA ARC WG will prepare and agree OMA IMS Enabler Release Package during December 2004 and January 2005, for presentation in the next OMA TP plenary at first of February.

### 2 Proposal

IMS is considered in OMA with the intention to provide a SIP based architecture that addresses several needs for session management, authentication/authorization mechanisms, routing, compression, charging/accounting, mobility management and QoS control, etc.

After approval and definition of the IMS Enabler Release Package, OMA and the mobile industry will gain advantage from the exploitation of existing IMS capabilities and interfaces, avoiding duplications of enabler

<sup>1</sup> If the "Confidential LS" box is selected, this liaison statement is intended to be Confidential per agreement by OMA and the addressed organization. Neither side should make this communication available to non-members.

NO REPRESENTATIONS OR WARRANTIES (WHETHER EXPRESS OR IMPLIED) ARE MADE BY THE OPEN MOBILE ALLIANCE OR ANY OPEN MOBILE ALLIANCE MEMBER OR ITS AFFILIATES REGARDING ANY OF THE IPRs REPRESENTED ON THE OMA IPR DECLARATIONS LIST, INCLUDING, BUT NOT LIMITED TO THE ACCURACY, COMPLETENESS, VALIDITY OR RELEVANCE OF THE INFORMATION OR WHETHER OR NOT SUCH RIGHTS ARE ESSENTIAL OR NON-ESSENTIAL.

THE OPEN MOBILE ALLIANCE IS NOT LIABLE FOR AND HEREBY DISCLAIMS ANY DIRECT, INDIRECT, PUNITIVE, SPECIAL, INCIDENTAL, CONSEQUENTIAL, OR EXEMPLARY DAMAGES ARISING OUT OF OR IN CONNECTION WITH THE USE OF DOCUMENTS AND THE INFORMATION CONTAINED IN THE DOCUMENTS.

THIS DOCUMENT IS PROVIDED ON AN "AS IS" "AS AVAILABLE" AND "WITH ALL FAULTS" BASIS.

specifications and development and providing a reference about the capabilities that IMS has to offer for the OMA enablers.

More information could be found in the attached document \OMA-TP-2004-0388-IMSInOMA-Socialization.zip\.

### 3 Requested Action(s)

As this liaison is for information only there is no specific requested action.

However 3GPP is encouraged to review the content and provide any feedback if appropriate.

### 4 Conclusion

OMA ARC WG would like to thank 3GPP for the good and successful work done specifying capabilities in 3GPP specifications, which will be the basis for defining common requirements for OMA service enablers using IP Multimedia Subsystem (IMS). The intention of the IMS work in OMA is not to change any specifications or provide any update to the excellent work done in 3GPP. OMA Technical Plenary welcomes further dialogue with 3GPP on this subject.

### 5 Next OMA meetings

TP#12	Frankfurt	Germany	31 January ñ 4 February 2005
WG Meetings	Singapore	Singapore	11 ñ 15 April 2005

**OMA-TP-2004-0388-IMSinOMA-Socialization**

# **IMSinOMA Socialization**

**Submitted To: OMA-TP**

**Date: 17 November 2004**

**Availability:**  **Public**  **OMA Confidential**

**Contact: Chelo Abarca**

**Source: ARCHITECTURE WG**

USE OF THIS DOCUMENT BY NON-OMA MEMBERS IS SUBJECT TO ALL OF THE TERMS AND CONDITIONS OF THE USE AGREEMENT (located at <http://www.openmobilealliance.org/UseAgreement.html>) AND IF YOU HAVE NOT AGREED TO THE TERMS OF THE USE AGREEMENT, YOU DO NOT HAVE THE RIGHT TO USE, COPY OR DISTRIBUTE THIS DOCUMENT. THIS DOCUMENT IS PROVIDED ON AN "AS IS" "AS AVAILABLE" AND "WITH ALL FAULTS" BASIS.

#### **Intellectual Property Rights**

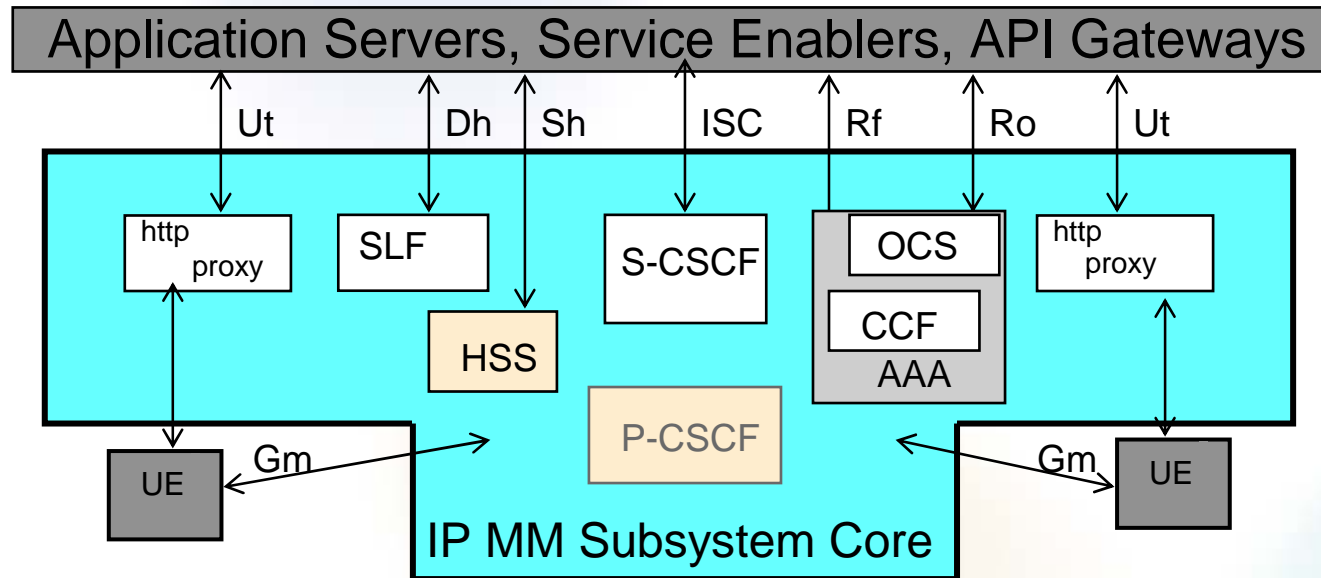
Members and their Affiliates (collectively, "Members") agree to use their reasonable endeavours to inform timely the Open Mobile Alliance of Essential IPR as they become aware that the Essential IPR is related to the prepared or published Specification. This obligation does not imply an obligation on Members to conduct IPR searches. This duty is contained in the Open Mobile Alliance application form to which each Member's attention is drawn. Members shall submit to the General Manager of Operations of OMA the IPR Statement and the IPR Licensing Declaration. These forms are available from OMA or online at the OMA website at [www.openmobilealliance.org](http://www.openmobilealliance.org).

# Outline

---

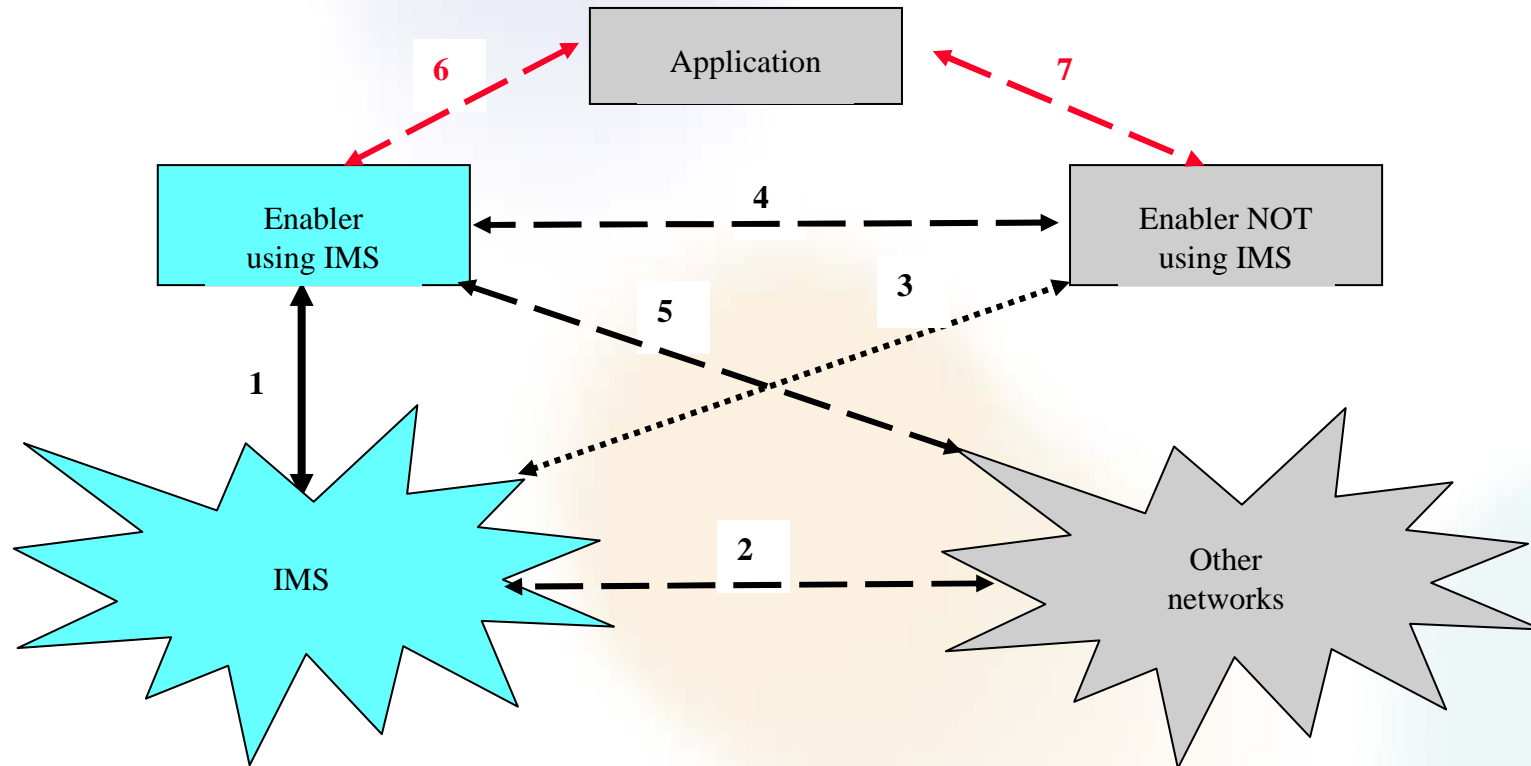
- Why IMS in OMA
- What is IMS in OMA, and What Not
- A Summary of IMS in OMA Work
- IMS in OMA RD
- IMS in OMA AD
- The IMS in OMA Enabler Release
- IMS in OMA and the OSE
- Impact On OMA Work
- Practical Information
- Acknowledgements

# Why IMS in OMA



- ï IMS provides a SIP based architecture that addresses several needs for session management, authentication/authorization mechanisms, routing, compression, charging/accounting, mobility management and QoS control, etc.
- ï OMA and the mobile industry can gain advantage from the exploitation of existing IMS capabilities and interfaces
- ï The use of IMS by OMA enablers is a way to leverage current investments into IMS

# « What » IMSinOMA, and What Not



## Legend

- In the scope of the IMS WI
- - -** Not in the scope of the IMS WI
- .....** Does not exist

# A Summary of IMSinOMA Work

---

- ï BoF
- ï Approval of IMSinOMA WI in TP
- ï RD
- ï AD (Completed this week)
- ï IMSinOMA Enabler Release Package (In progress)
- ï Consistency Review (To be done still)

# The IMSinOMA RD

---

- ï **The IMSinOMA RD defines the common requirements for OMA service enablers to utilize capabilities of the IP Multimedia Subsystem (IMS) defined by 3GPP and 3GPP2.**
- ï **The IMS RD contains system level requirements to ensure interoperability between OMA service enablers and an underlying IP Multimedia Subsystem.**
- ï **It includes a generic Use Case that shows how a Service Provider can develop an application using OMA specified service enablers that are connected to IMS and use IMS capabilities in an interoperable way**
- ï **For more information on the IMSinOMA RD, go to OMA-TP-2004-0068-IMSRDForInformation.zip or [ref to IMSinOMA RD]**



# The IMSinOMA AD

---

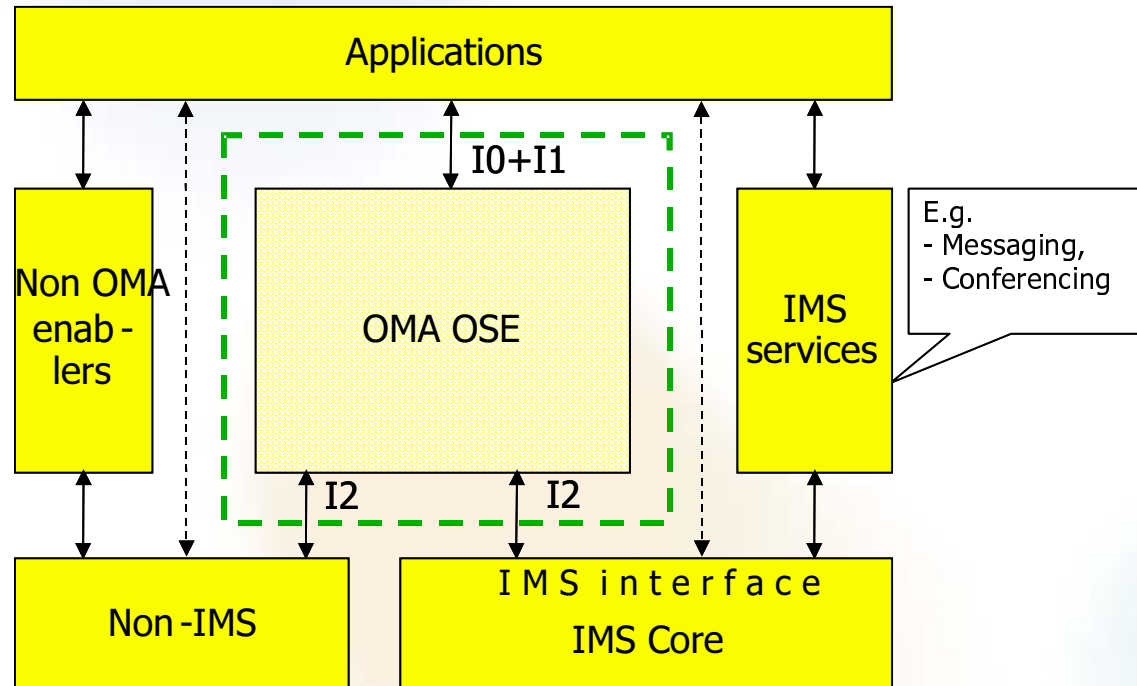
- ï **Describes the general principles how enabler implementations shall use IMS.**
- ï **Identifies and describes the set of IMS interfaces that can be used by OMA enablers.**
- ï **Describes interoperability and/or inter-working of OMA enablers (realised on IMS) with other OMA enablers (either IMS realized or not).**
- ï **Provides guidance and support for the implementation of OMA service enablers utilizing IMS capabilities in compliance with ì IMSinOMAî RD.**

# The IMSinOMA Enabler Release

---

- ï Package shall consist of
  - ï RD (+ RDRR)
  - ï AD (+ ADRR)
  - ï ERELD (being drafted)
  - ï ETR (being drafted)
- ï Conference call in two weeks to complete
- ï Consistency review to commence after that

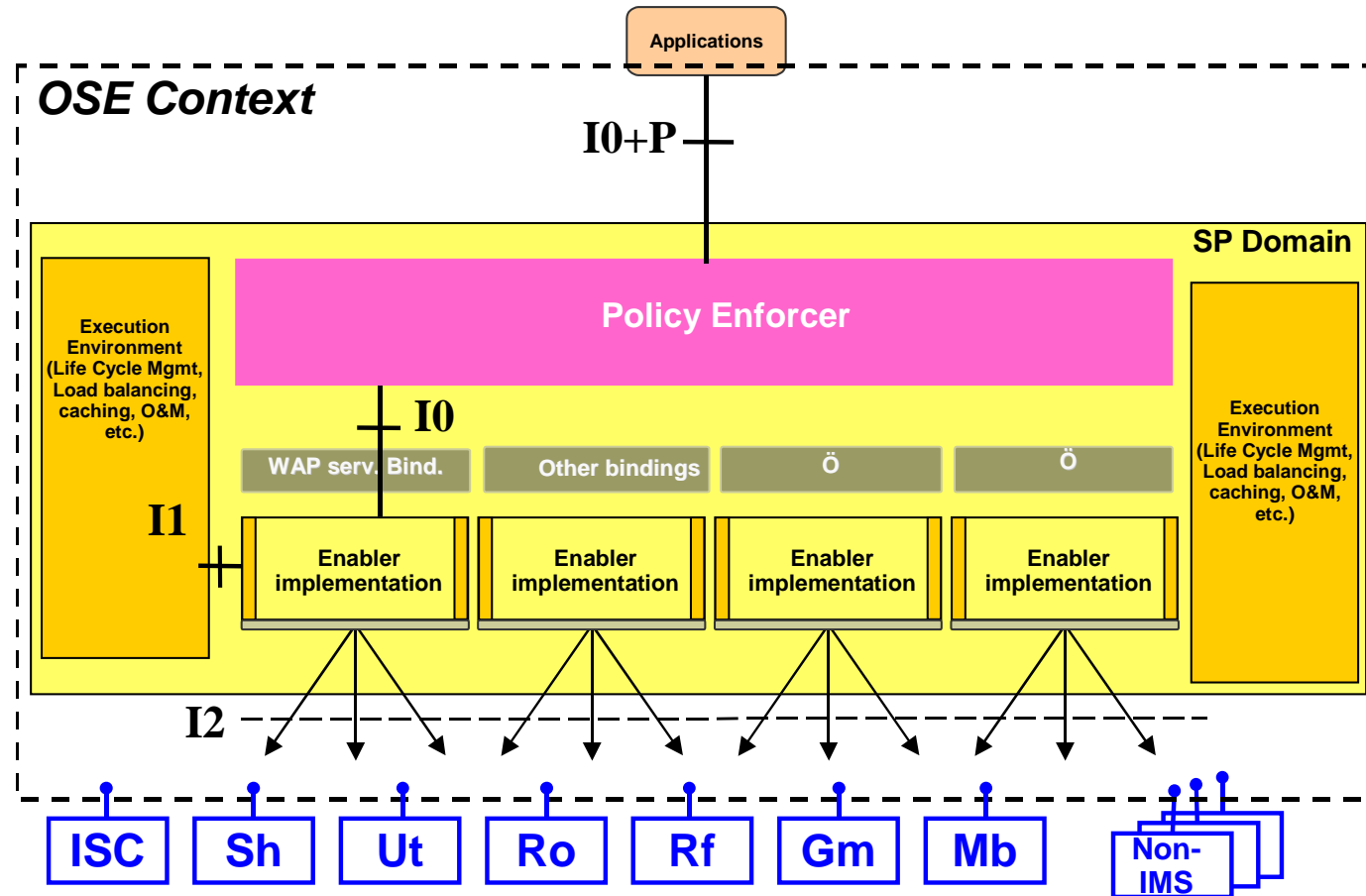
# IMSinOMA and the OSE – OSE and IMS Services



3GPP/3GPP2 have also standardized service capabilities to offer IMS services that work on top of the IMS core, and thus at the same architectural level as OMA enablers. These IMS services may be good candidates for OMA enablers, in order to provide capabilities that are currently not in the set of existing or ongoing OMA enablers.

Applications and/or non-OMA enablers may use IMS interfaces and capabilities directly (*out of OMA scope*)

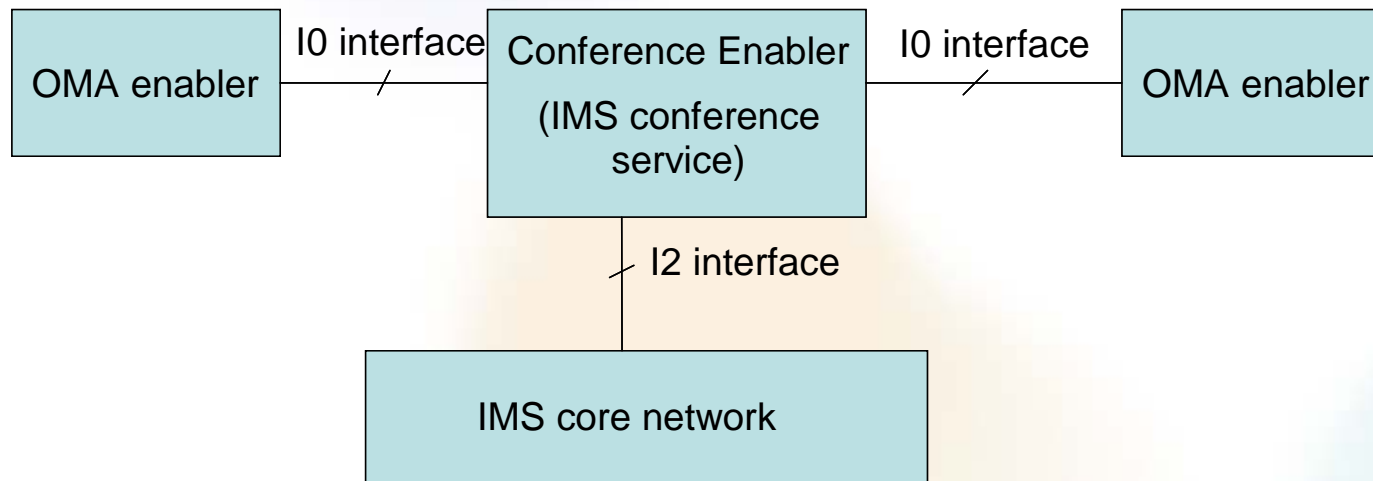
# IMSinOMA and the OSE - Context



IMS interfaces are I2 interfaces in the OSE context

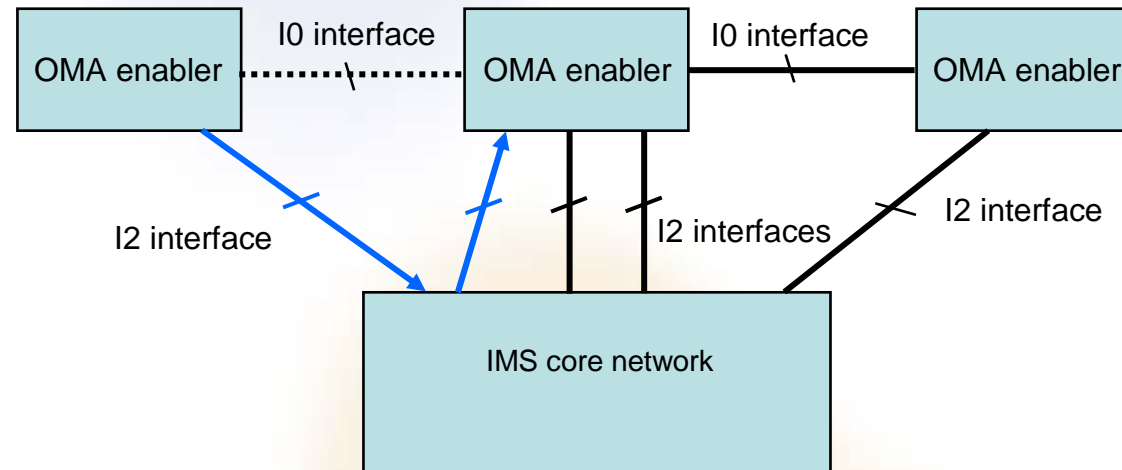
# IMSInOMA and the OSE

## (an IMS Service May Become an OMA Enabler)



If an IMS service is found to be a good candidate for an enabler that does not exist yet, it can be integrated in the OSE by identifying I0 interfaces for it (I2 interfaces, to IMS Core, would already be specified)

# IMS and OSE – Enabler Communication Via IMS



- ï An OMA-enabler can connect to another OMA-enabler via the IMS core network. According to the OSE model the connections between the enabler and the underlying network are so called 'I2 type of interfaces'.
- ï According to OSE the connections between enabler implementations are logically 'I0 type of interfaces'.
- So, the (logical) OSE-I0 interface is realized using two (logical) I2 type of interfaces 'in series' as shown by the red arrows above.
- The enablers use IMS common capabilities like SIP routing and compression, etc, there is no need to create such capabilities for the enablers themselves.

# Impact On OMA Work

---

- ï IMS in OMA activity is a way to **avoid duplications** of enabler specifications and development
- ï The IMSinOMA AD describes the general principles how enabler implementations shall use IMS.
- ï The IMSinOMA work provides a reference about the capabilities that IMS has to offer for the OMA enablers
- ï The IMSinOMA RD and AD list and refer 3GPP, 3GPP2 IMS specifications that may be relevant for OMA enabler specifications
- ï New IMS related enabler OMA specifications SHALL be aligned regarding the ways IMS is used and the way such usage is described and specified.
- ï As part of AD Review process, ARCH will review specs for IMSinOMA compliance where appropriate
- ï OMA enabler specifications can refer to the IMSinOMA AD on IMS related issues
- ï Specific OMA Enabler specifications should contain normative descriptions of how
  - ï to use IMS (e.g. enabler specific IMS interface parameters)
  - ï to interact with other OMA enablers using IMS

# Practical Information

---

## RD

• [http://www.openmobilealliance.org/ftp/Public\\_documents/REQ/permanent\\_documents/OMA-RD\\_IMSinOMA-V1\\_0\\_4-20040518-A.zip](http://www.openmobilealliance.org/ftp/Public_documents/REQ/permanent_documents/OMA-RD_IMSinOMA-V1_0_4-20040518-A.zip)

## AD

• [http://www.openmobilealliance.org/ftp/PD/pending/OMA-AD\\_IMSinOMA-V1\\_0\\_3-20041111-D.zip](http://www.openmobilealliance.org/ftp/PD/pending/OMA-AD_IMSinOMA-V1_0_3-20041111-D.zip)

## ADRR

• <http://www.openmobilealliance.org/ftp/ARCH/ID/04/OMA-ARC-2004-0380-IMSinOMA-AD-Review-Report.zip>



# Acknowledgements

---

- ï To all participants in the IMSinOMA TF, for their active and constructive discussions
  - ï **Convenor: Chelo Abarca - Alcatel**
- ï To Gerry Mc Auley from Forapolis, for his reliable support and guidance in practicalities
- ï To all Req and Arch reviewers
- ï To Christian Herzog for his support from the Arch chair