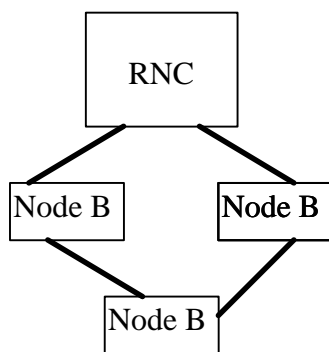


**Agenda Item:** 8.1, General UTRAN Architecture  
**Source:** France Telecom  
**Title:** Closed loop/open loop at the Iub  
**Document for:** UTRAN Architecture description

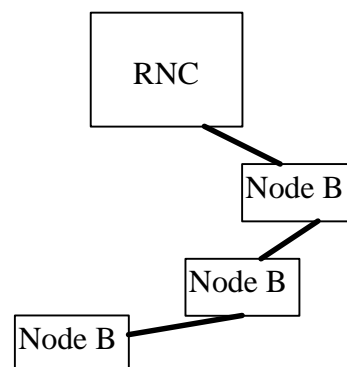
### **Closed Loop/Open Loop at the Iub**

#### **1 Introduction**

Loop feature allows to chain Nodes on a physical transport medium, this loop can be either open or closed. This function allows transmission cost saving and in case of closed loop it gives a securization to the data transport network so that when a transmission failure occurs on one loop extremity, data transmission is still possible through another path.



Closed loop



Open loop

From a UMTS operator point of view, this feature shall be implemented mandatorily at least at the RNC-NodeB interface.

FT suggests to add an explicit requirement for this function in the UTRAN Architecture Description document.

#### **2 Proposal**

In chapter 7, Basic Principles UTRAN Node Interconnections » in [1], the following sentence :

« The transport layer implementation shall allow to cascade Node B. This cascading can be done either in open or closed loop »