

3GPP TSG-T3 (USIM) Meeting #8
Bonn, Germany, August 23 - 25, 1999

Tdoc T3-99226

3GPP TSG-SA WG 2
26-30 July 1999
New Jersey, USA

TDoc S2-99635
rev of TDoc S2-99630

Liaison statement

To: 3GPP TSGs S3, T3

Copy: 3GPP TSG N2

Source: 3GPP TSG S2

Title: Answer to the liaison on Evolution to UMTS and R99 Security Features

S2 would like to thanks S3 for their answer to our liaison statements on evolution to UMTS and R99 Security Features.

Regarding the answers made by S3, it seems that S3 intend to develop all new features introduced in deocument 33.102 for R99. S2 would like to express their point of view to S3 on this matter :

- As stated in the liaison statement on Enhanced User Identity Confidentiality, S2 wonders if it is relevant to introduce this new feature for R99 (see LS on Enhanced User Identity Confidentiality)
- Considering the Core Network Signalling Security, S2 has some doubts on the possibility to introduce this feature for R99 within the short time schedule of core network groups.

S2 is proposing that the phasing issues shall be reviewed in the S2 Security Project Co-ordination ad Hoc Group.

Source: 3GPP TSG SA3 (Security)

To: 3GPP TSG SA2

Title: Evolution to UMTS & R99 Security Features

Liaison Statement

This is a response to the two liaison statements from SA2 to SA3 with your references S2-99146 and S2-99288. SA3 apologises for the late response to liaison statements written in March and April, but they failed to reach any of our meetings prior to the one of the 11-12 May.

Much of the subject matter of the two statements was addressed during the SA3 presentation at the SA meeting in Yokohama on 26-28 April.

1. (Your ref 146 point 1) The additional requirements for UMTS Security over and above GSM are described in 21.133, 33.120 (main reference at a high level) and 33.102. Copies are attached.
2. (Your ref 146 point 2) Changes in core network functionality are obtainable from 33.102 - in particular chapters 6 and 7.
3. (Your ref 146 point 3) UTRA supports ciphering and integrity. Currently being specified.
4. (Your ref 146, points 4 and 5) Documents attached.
5. (Your ref 288, point 1) All features in the architecture document 33.102 will be developed for R99 of the specifications.
6. (Your ref 288, point 2) We are producing a document which described requirements for integrating security features into the rest of 3G. A draft is attached.
7. (Your ref 288, point 3) The ciphering algorithm will be designed for release at the end of 1999. Work has now already started.
8. (Your ref 288, point 4) The current plan includes risk minimisation. Why are SA2 trying to get involved in this? What can you offer?

Source: S2 (Version 1.0)
Title: **Liaison statement on R99 Security Features**
To: S3
CC: TSG-SA

On some markets, 3G service is scheduled for launch within two years. Short timescales imply that two modes of specification work are needed in 3GPP. Rapid progress is necessary for those features that are mandatory in Release 99 specs. On the other hand, study of features which are included in future releases must proceed in parallel. In the 3G Security Architecture specification draft TR S3.03 no distinction is made between the two classes of features.

One specific feature that S2 believes shall be included in Release 99 spec is ciphering of user and signaling data in radio access network. As ciphering algorithm requirements are not yet fully stabilised, the schedule for the algorithm design process seems to be very tight. In order to guarantee that user data and speech confidentiality is offered from the very beginning, it is essential that specifications for at least one ciphering algorithm are ready well in advance of the launching time. Hardware implementation and testing requirements imply that detailed description of the algorithm is available at least 18 months before the system is introduced to public use. Some backup plan is needed in order to minimise the risk that due to tight time schedule constraints 3G service begins with no user data or speech confidentiality at all.

S3 is kindly asked to

- 1) make it clear which security features that are to be developed for inclusion in Release 99
- 2) if possible, guide S2 on what functional entities (CN, RNC, Node B etc) and on what protocol level these features are to be implemented.
- 3) clarify the plans for exact schedule for the new ciphering algorithm.
- 4) create a backup plan to minimise the risk that due to tight time constraints new ciphering algorithm cannot be delivered early enough.

Title: Liaison statement on requirements on GSM/GPRS evolution for UMTS

Date: 19th March 1999

To: SMG10 WpC/ 3GPP TSG SA Wg3 (Security)

Cc: 3GPP TSG RAN, 3GPP TSG RAN Wg 3 (UTRAN Arch), 3GPP TSG Wg2 (CN),

Source: 3GPP TSG SA2

The 3GPP project and SMG has been developing the network and system aspects for UMTS based upon GSM evolution. Based upon this guiding principle, it is essential that the evolutionary developments and revisions to the current GSM/GPRS Phase 2+ standards to satisfy the UMTS requirements (including those for UMTS security) are identified.

TSG SA WG2 is developing the overall system aspects for UMTS and is keen to ensure that the developments needed to support the identified security features for UMTS are included within these system aspects.

TSG SA WG2 requests information from SMG10 WpC/ 3GPP TSG SA Wg3 (Security) regarding:

1. Additional requirements from UMTS security aspects compared to those of contemporary GSM/GPRS.
2. Evolution requirements to the GSM/GPRS Phase 2+ Core Network system, in particular highlighting any changes in security functionality location (within the architecture) compared to GSM/GPRS Phase2+.
3. Functional requirements to the UTRAN.
4. Impacts of the current working assumptions within 'The Evolution of the GSM platform towards UMTS' [See section 7 of 23.20 V1.5.0 attached]. *[T3 Secretary's note: Since this LS was written, section 7 of 23.20 has moved to 23.121]*
5. Any approved or ongoing documentation regarding the security aspects of UMTS (in particular those related to security architecture).

In addition to this TSG SA Wg2 are interested in any implications and impacts of the current assumptions made regarding the support of the UMTS within an evolved GSM/GPRS network.

23.20 'The Evolution of the GSM platform towards UMTS' [V1.5.0] attached for information.

[T3 Secretary's note: Since this LS was written, section 7 of 23.20 has moved to 23.121. The current version as produce in June 99 is v3.0.0 and this document is attached]

3G TS 23.121 V3.0.0 (1999-07)

Technical Specification

3rd Generation Partnership Project; Technical Specification Group Services and Systems Aspects; Architectural Requirements for Release 1999 (3G TS 23.121 version 3.0.0)



The present document has been developed within the 3rd Generation Partnership Project (3GPP™) and may be further elaborated for the purposes of 3GPP. The present document has not been subject to any approval process by the 3GPP Organisational Partners and shall not be implemented. This Specification is provided for future development work within 3GPP only. The Organisational Partners accept no liability for any use of this Specification. Specifications and reports for implementation of the 3GPP™ system should be obtained via the 3GPP Organisational Partners' Publications Offices.

Reference

DTS/TSGSA-0221121U

Keywords

<keyword[, keyword]>

3GPP

Postal address

3GPP support office address

650 Route des Lucioles - Sophia Antipolis
Valbonne - FRANCE
Tel.: +33 4 92 94 42 00 Fax: +33 4 93 65 47 16

Internet

<http://www.3gpp.org>

—

Contents

Foreword.....	5
1 Scope 6.....	
2 References	6
3 Definitions and abbreviations.....	6
3.1 Definitions.....	6
3.2 Abbreviations	6
4 Working assumptions	7
4.1 General.....	7
4.2 Iu Interface.....	7
4.2.1 Iu Control Plane	8
4.2.1.1 Iu control plane for CS domain.....	8
4.2.1.2 Iu control plane for PD domain	8
4.2.2 Iu User plane	9
4.2.2.1 Principles of User Data Retrieve in UMTS and at GSM-UMTS Hand-Over for PS Domain	10
4.2.2.1.1 Requirements for Data retrieve at GPRS/UMTS handover.....	10
4.2.2.1.2 Adopted solution for data retrieve at GPRS-UMTS handover	10
4.2.2.1.3 Requirements for data retrieve in UMTS	11
4.2.2.1.4 Adopted solution for data retrieve in UMTS.....	12
4.2.2.1.5 User plane protocol stacks for UMTS data retrieve	13
4.2.2.1.6 User plane protocol stacks for data retrieve between UTRAN and 2G-SGSN	13
4.2.2.2 Packet buffering in SRNC and transmission of not yet acknowledged downstream packets at SRNC relocation.....	13
4.2.2.3 Load sharing	14
4.3 UMTS Mobility Management (UMM)	14
4.3.1 Location Management and Mobility Management concept overview	14
4.3.1.1 Use of combined procedures for UMTS	17
4.3.2 Description of the Location Management and Mobility Management Concept	18
4.3.2.1 Area concepts	18
4.3.2.1.1 Location areas	18
4.3.2.1.2 Routing areas.....	18
4.3.2.1.3 UTRAN internal areas.....	18
4.3.2.1.4 Relationship between the different areas.....	18
4.3.3 MM functionality in different UE service states.....	19
4.3.4 The RRC state machine	20
4.3.5 Relationship between CS and PS service states and RRC state for an UE	21
4.3.6 Service registration and location update.....	22
4.3.6.1 Location area update.....	23
4.3.6.2 Routing area update	23
4.3.6.3 Combined updates	23
4.3.7 Paging initiated by CN	23
4.3.8 Signalling connection establishment.....	23
4.3.9 Relations between SRNS relocation and Location registration	24
4.3.10 Requirements on Identifiers for UMTS and GSM.....	25
4.3.11 Use of TMSI signature	26
4.3.11.1 IMSI attach	26
4.3.11.2 Location Area update.....	27
4.3.11.3 MM System Information.....	28
4.3.11.4 IMSI detach procedure	28
4.3.12 Signalling procedures	28

4.3.12.1	Idle mode procedures.....	28
4.3.12.1.1	Location Area update	28
4.3.12.1.2	Routing Area update	30
4.3.12.1.3	Periodic Registration towards both CN nodes without use of Gs.....	31
4.3.12.1.4	Periodic Registration with use of Gs/UMSC.....	33
4.3.12.1.5	UE initiated Combined Detach Procedure when using Gs/UMSC.....	33
4.3.12.2	SRNS Relocation.....	33
4.3.12.2.1	SRNS relocation principles	33
4.3.12.2.2	SRNS relocation (UE connected to a single CN node, 3G_MSC/VLR) followed by Location Registration in new Routing Area	34
4.3.12.2.3	SRNS relocation (UE connected to a single CN node, 3G_SGSN) followed by Location Registration in new Location Area.....	36
4.3.12.3	Comparison between UMTS and GSM	41
4.3.12.3.1	PS -idle state	42
4.3.12.3.2	PS -connected state	42
4.3.12.4	Issues for further study.....	42
4.3.13	Combined update towards the HLR for a combined 3G-(MSC/VLR+SGSN) configuration.....	43
4.3.13.1	Motivation	43
4.3.13.2	Technical description.....	43
4.3.13.3	Requirements on UTRAN.....	44
4.3.13.4	List of MAP services for location management between the HLR and MSC-VLR/SGSN for GSM/GPRS	44
4.3.13.5	Signalling procedures for combined update towards HLR	45
4.3.13.6	Combined attach case where the previous attach was towards 2 CN elements.....	45
4.3.13.7	Combined location/routing area update where the previous LA/RA belonged to a 2 CN element	46
4.4	UMTS call control	47
4.4.1	Technical Requirements	47
4.4.2	Typical Scenarios for Multimedia Control and User Plane	48
4.4.2.1	H.324M to H.324M Call.....	48
4.4.2.2	IMT-2000 H.323 to H.323 call.....	50
4.5	Core network layer 3.....	51
4.6	Structure of radio interface layer 3.....	52
4.7	Alternate Access technologies to UTRAN.....	52
4.7.1	Advantages of attaching HIPERLAN 2 to UMTS.....	52
4.7.2	HIPERLAN 2 UMTS Interworking.....	53
4.7.3	Related Actions	53
4.8	Location of the IP compression function in UMTS	53
4.8.1	Functional role of SNDSCP / L3CE.....	53
4.8.2	Position for header compression	54
4.8.3	Implied protocol stack	54
4.9	Short Message Service for UMTS	55
4.9.1	Protocols and architecture	55
4.10	Mobile IP for UMTS/GPRS End Users, revised version	55
4.10.1	Mobile IP for UMTS/GPRS End Users.....	55
4.10.1.1	Alterations of and Additions to Current GPRS Standards	58
References.....		58
History		59

Foreword

This Technical Specification has been produced by the 3GPP.

The contents of the present document are subject to continuing work within the TSG and may change following formal TSG approval. Should the TSG modify the contents of this TS, it will be re-released by the TSG with an identifying change of release date and an increase in version number as follows:

Version 3.y.z

where:

x the first digit:

1 presented to TSG for information;

2 presented to TSG for approval;

3 Indicates TSG approved document under change control.

y the second digit is incremented for all changes of substance, i.e. technical enhancements, corrections, updates, etc.

z the third digit is incremented when editorial only changes have been incorporated in the specification;

1 Scope

The present document covers issues related to the evolution of the GSM platform towards UMTS with the overall goal of fulfilling the UMTS service requirements, the support of the UMTS role model, support of roaming and support of new functionality, signalling systems and interfaces.

2 References

The following documents contain provisions which, through reference in this text, constitute provisions of the present document.

References are either specific (identified by date of publication, edition number, version number, etc.) or non-specific.

For a specific reference, subsequent revisions do not apply.

For a non-specific reference, the latest version applies.

A non-specific reference to an ETS shall also be taken to refer to later versions published as an EN with the same number.

- [1] ETSI TC-SMG UMTS 22-01: "Services Principles"
- [2] ETSI TC-SMG GSM 03.02
- [3] ETSI TC-SMG GSM 03.60
- [4] ETSI TC-SMG GSM 11.14
- [5] ETSI TC-SMG GSM 30.01
- [6] ETSI TC-SMG GSM 23.101.
- [7] TG.3x6.
- [8] UMTSYY.01, UE-UTRAN Radio Interface Protocol Architecture – Stage 2
- [9] UMTSYY.03, Description of UE states and Procedures in Connected Mode

3 Definitions and abbreviations

3.1 Definitions

Editors note : Reference to Definition document required.

For the purposes of the present document, the [following] terms and definitions [given in ... and the following] apply.

<defined term>: <definition>.

example: text used to clarify abstract rules by applying them literally.

3.2 Abbreviations

For the purposes of the present document, the following abbreviations apply:

<ACRONYM> <Explanation>

4 Working assumptions

Information flows provided in this document are for information only. They do not constrain implementation.

4.1 General

The phase 1 UMTS/Release '99 GSM standards should provide the capability to support:

- a core network based on an evolved 2G MSC and an evolved SGSN
- an optionally evolved Gs interface
- class A GSM' mobiles.
- Transcoder location shall be according to 23.930
- UMTS/IMT2000 Phase1 (Release 99) network architecture and standards shall allow the operator to choose between Integrated and Separated core networks for transmission (including L2)
- The UMTS standard shall allow for both separated and combined MSC/VLR and SGSN configurations.
- The UE shall be able to handle separated or combined MSCs and SGSNs.
- There can be several user planes to these CN nodes.

The following general concepts should be followed :

- Separate the layer 3 control signalling from the layer 2 transport discussion (do not optimise layer 3 for one layer 2 technology).
- MSC-MSC layer 3 call control is out of scope of standardisation in SMG.
- As future evolution may lead to the migration of some services from the CS-domain to the PS-domain without changes to the associated higher-layer protocols or functions. UMTS release 99 shall provide the flexibility to do this in a way that is backwards compatible with release 99 UEs provided this does not introduce significant new complexity or requirements in the system.

4.2 Iu Interface

- Transport protocol across the Iu interface for UTRAN shall be according to 23.930
- The UTRAN shall support two logically separate signalling flows via Iu to combined or separate network nodes of different types (MSC and SGSN).
- The UTRAN shall contain a "domain distribution function" to route transparent application-level control signalling from the UE to the correct core network domain. The UE shall indicate the type of application being addressed (eg via a protocol discriminator). The UTRAN shall map this on to the correct Iu instance to forward the signalling.
- UTRAN-services (including radio access bearers) shall be independent from the core network domain used to access them. Either core network domain can access any appropriate UTRAN-service (eg it should be possible to access a "speech" radio access bearer from the PS-domain).
- The protocol architecture for the User Plane of the Iu interface towards the IP domain shall be based on the same principles as for the (evolved) Gn interface, i.e. the user plane part of GTP over UDP/IP shall be used for tunneling of end user data packets over the Iu interface
- One or several AAL5/ATM Permanent VCs may be used as the common layer 2 resources between the UTRAN and the 'IP domain' of the CN. The reason for usage of several permanent AAL5/ATM VCs may e.g. be for load

sharing and redundancy. It is also possible to use one switched VC per user flow (PDP context or radio access bearer). Switched VCs may be used, however the standardization of the procedures and protocols for use of Switched VCs is outside the scope of the 3GPP. If operators use switched VC, the specification of procedures and protocol for switched VCs are up to operators and out of scope of the UMTS/IMT-2000 specification.

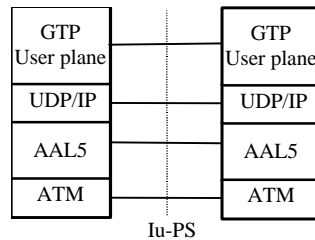


Figure 1: Protocol Architecture for the Iu user plane towards the IP domain

Note: The termination point of the GTP-U tunnel in the IP domain of the Core Network is FFS.

4.2.1 Iu Control Plane

4.2.1.1 Iu control plane for CS domain

4.2.1.2 Iu control plane for PD domain

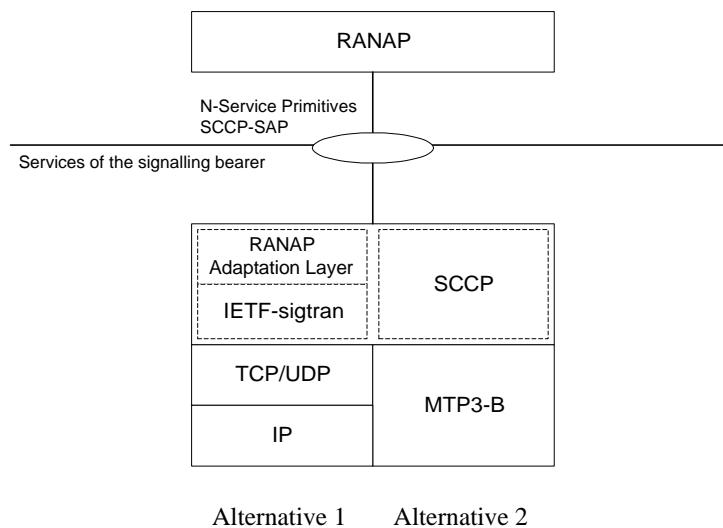


Figure 2 SAP between RANAP and its transport for the Iu IP domain

Figure 2 shows, for the Iu IP domain, the point at which the service primitives are invoked. A single SAP is defined independently of the signalling bearer.

The SAP provides the SCCP primitives.

It is agreed to use the SCCP primitive between RANAP & its transport on the understanding that only the features of SCCP necessary for RANAP are used.

The figure is not intended to constrain the architecture.

For transport of RANAP messages over Iu an SCCP protocol shall be used for both packet and circuit switched domains. The SCCP protocol shall fully comply with ITU-T white book. RANAP protocol shall be designed to use this service according to the ITU-T standard. Iu shall be designed so that RANAP is not impacted by alternatives for SCCP message transport on layers below SCCP.

In the circuit switched domain SCCP messages shall be transported on a broadband SS7 stack comprising MTP3b on top of SAAL-NNI. In this domain no other alternatives are standardised in release –99.

In the packet switched domain the UMTS standard shall allow operators to chose one out of two standardised protocol suites for transport of SCCP messages.

Broadband SS7 stack comprising MTP3b on top of SAAL-NNI

IETF/Sigtran CTP protocol suite for MTP3 users with adaptation to SCCP. The protocol suite shall fully comply with the IETF standards developed by the Sigtran working group. No UMTS specific adaptations shall be standardised below the SCCP protocol.

The grey colour denotes protocols being developed by the IETF sigtran group.

RANAP protocol stack options

RANAP	
SCCP	
MTP-3b	CTP (module SCCP/MTP3 users)
SAAL-NNI	IP

4.2.2 Iu User plane

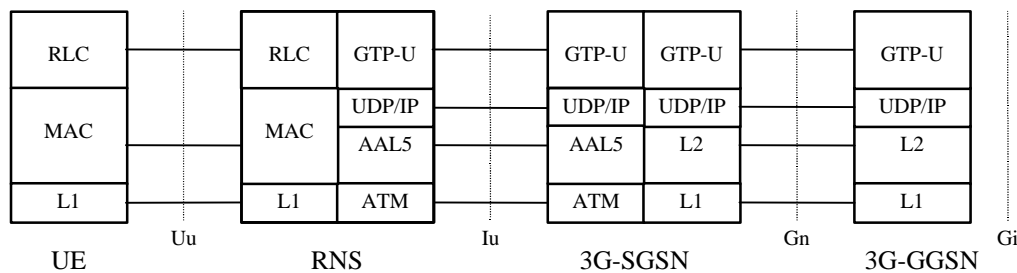
- The standard shall support that the user data flows transported over the Iu reference point to/from the 'IP domain' shall be multiplexed on top of common layer 2 resources.
- One or several AAL5/ATM Permanent VCs may be used as the common layer 2 resources between the UTRAN and the 'IP domain' of the CN. The reason for usage of several permanent AAL5/ATM VCs may e.g. be for load sharing and redundancy. It is also possible to use one switched VC per user flow (PDP context or radio access bearer).
- A tunnelling protocol is used on top of this common layer 2. This tunnelling protocol corresponds to an evolution of the user plane part of the GTP protocol used in GPRS put on top of UDP/IP.
- The user data plane in the UMTS network is made up of two tunnels:
- a first IP/UDP/GTP tunnel between RNC and 3G SGSN on Iu

- a second IP/UDP/GTP tunnel between GGSN and 3G SGSN on Gn

This architecture:

- Provides hierarchical mobility
- Allows having the RNC directly connected on the IP domain backbone
- Ensures that all traffic is routed through 3G-SGSN that may perform functions such as charging and Lawful Interception.
- Would allow to have different protocols (or protocol version) on Gn and Iu if needed in the future

The protocol stack is shown in Figure 3.



Note: Protocol layers above RLC and GTP-U are FFS

Figure 3: Protocol Architecture for IP domain user plane

4.2.2.1 Principles of User Data Retrieve in UMTS and at GSM-UMTS Hand-Over for PS Domain

4.2.2.1.1 Requirements for Data retrieve at GPRS/UMTS handover

The same reliability as in inter 2G-SGSN RA update case has to be provided at GPRS to/from UMTS handover. Therefore, the data retrieval should be ensured between 2G-SGSN and SRNC as it is ensured between two 2G-SGSNs.

Between two 2G-SGSNs, data retrieve is carried out via the Gn interface i.e. via GTP-u¹/UDP/IP. In order that the 2G-SGSN is not modified for data retrieve with the SRNC, the 2G-SGSN should keep the same protocol stack.

4.2.2.1.2 Adopted solution for data retrieve at GPRS-UMTS handover

For Control Plane: Since some parameters transported by GTP-c are CN related only (e.g. CN classmark,...), it is necessary to terminate GTP-c signalling exchanged with the 2G-SGSN in the 3G-SGSN, and to use RANAP signalling on Iu between 3G-SGSN and SRNC.

For User plane: As Charging of the retrieved data is to be carried out at 3G-SGSN, data exchanged between SRNC and 2G-SGSN are handled by the 3G-SGSN (two GTP pipes: SRNC – 3G-SGSN and 3G-SGSN – 2G-SGSN). This ensures that:

- 3G-SGSN can increment charging counters for user data sent from 2G-SGSN to SRNC
- 3G-SGSN can decrement charging counters for user data sent from SRNC to 2G-SGSN avoiding that such data are charged twice (in 3G-SGSN and in 2G-SGSN)

¹ GTP-u stands for GTP user plane protocol

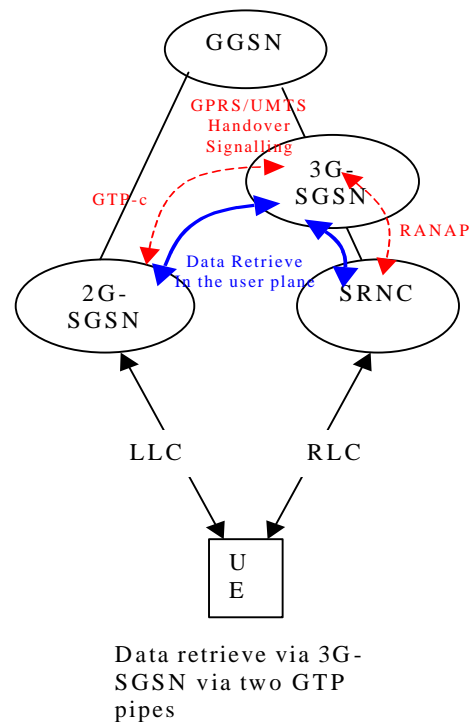


Figure 5: Data retrieve between GPRS and UMTS

4.2.2.1.3 Requirements for data retrieve in UMTS

Note: this section deals with the case of SRNS relocation and of UMTS hard hand-over (when this hard hand-over involves also the CN i.e. involves a change of Serving RNC).

Since,

there is no buffering in the 3G-SGSN

there is an ARQ mechanism in the Serving RNC (the RLC layer) similar to the LLC layer in the 2G-SGSN,

the data reliability is ensured by the transfer of non-acknowledged user data from the Source RNC to the Target RNC. This transfer ("data retrieve") can be performed with a mechanism similar to the one used between 2G-SGSNs in GPRS.

The Data retrieve between two RNCs belonging to the same UTRAN is required for non real-time data services during a SRNS relocation procedure.

Regarding the SRNS Relocation procedure Control Plane, SRNS relocation procedure uses both RANAP signalling over the Iu and RNSAP signalling over the Iur.

Regarding the user plane, some requirements can be listed:

Synchronisation:

Since the 3G-SGSN does not buffer downstream data, the source RNC may have to buffer all GTP frames that are not yet transmitted or acknowledged at RLC layer. It also has to buffer all GTP frames that continue to arrive from the GGSN (the GGSN continues to send them to the source RNC as long as its PDP context has not been updated by the SGSN. Furthermore, data that are sent by the GGSN may take a certain time to get to the source RNC).

This means that:

The target RNC has to start as Serving RNC just after having received SRNS Relocation Commit message from the source RNC even if all downstream data have not been retrieved yet.

The user data retrieve may last a relatively long time. A timer is armed in the Source SRNC at the beginning of the data transfer phase. The contexts related to the UE in the Source SRNC will be released when the timer expires, i.e. when downstream data from GGSN is considered as finished.

Data reliability:

Depending upon the required reliability, there could be a need for a layer 2 protocol or not. In the GPRS, the user data is transfer via GTP/UDP/IP if the user-to-user data is IP-based, and via GTP/TCP/IP if the user-to-user data is X25-based. Here, only GTP/UDP/IP is considered.

Multiplexing of PDP contexts during data retrieve:

Several SRNS Relocation procedures for different users and/or different bearers may be carried out simultaneously and independently. GTP is used to differentiate the data retrieve contexts.

Associated signalling:

Considering signalling, there are two kinds of signalling:

Signalling linked with transmission of CN parameters. This corresponds to signalling exchanged on Gn between 3G-SGSNs during the (first) phase of resources for the SRNS relocation.

Signalling linked with the transmission of the sequence numbers of the acknowledged protocol (RLC) between SRNC and UE. This can be done over Iur when the source SRNC actually hands-over the role of SRNC (when sending the RNSAP "Relocation commit" to the target SRNS).

4.2.2.1.4 Adopted solution for data retrieve in UMTS

Data Retrieve procedure at SRNS relocation shall be carried out through the Iu interface: data exchanged between source and target SRNC are handled by the 3G-SGSN (3 GTP pipes: source SRNC – source 3G-SGSN, source 3G-SGSN – destination 3G-SGSN and destination 3G-SGSN – destination SRNC).

Source 3G-SGSN has to decrement charging counters for user data sent from SRNC to 2G-SGSN avoiding that such data are charged twice (in 3G-SGSN and in 2G-SGSN).

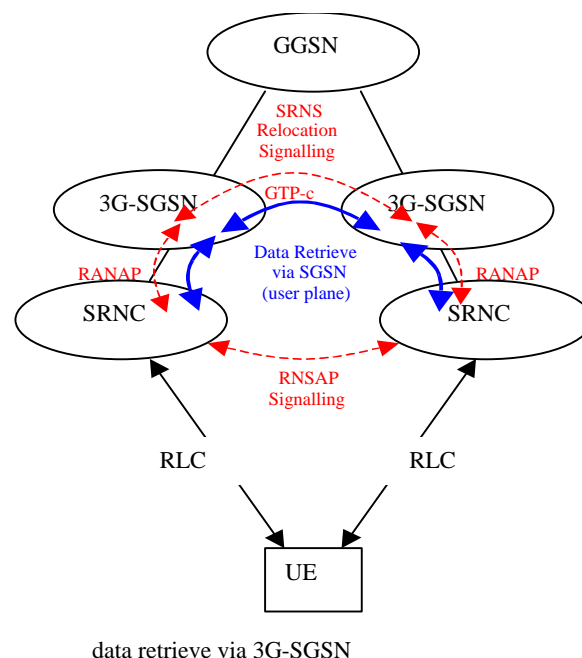


Figure 6: User data Retrieve in UMTS

4.2.2.1.5 User plane protocol stacks for UMTS data retrieve

The user plane for data retrieve between two RNCs is based on GTP-u/UDP/IP. The GTP connections terminated in the 3G-SGSNs as described in the following figure.

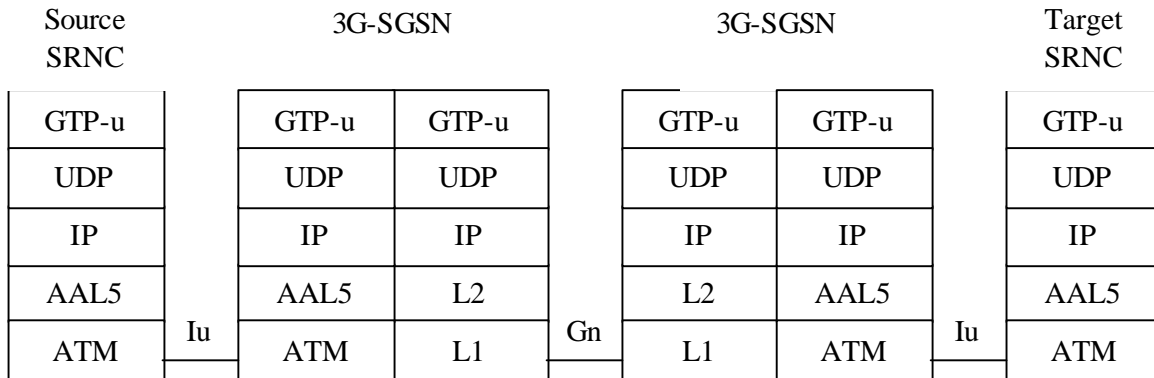


Figure 7: User plane protocol stack for data retrieve in UMTS

4.2.2.1.6 User plane protocol stacks for data retrieve between UTRAN and 2G-SGSN

The user plane for data retrieve between UTRAN and 2G-SGSN is based on GTP-u/UDP/IP. The protocol stack and the GTP connections termination points are described in the following figure.

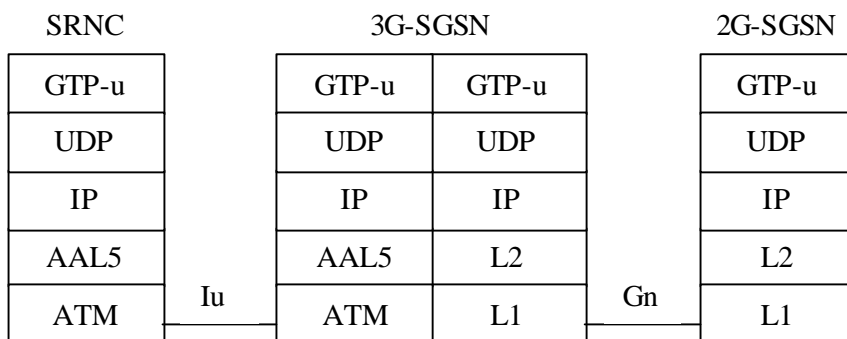


Figure 8: User plane protocol stack for data retrieve between GPRS and UMTS

4.2.2.2 Packet buffering in SRNC and transmission of not yet acknowledged downstream packets at SRNC relocation

Due to the bursty nature of IP traffic and due to the limited amount of downstream radio resources, some (large) buffering capacity is needed in the network to absorb the traffic peaks that arrive as there are not enough radio resources to send them to the UE(s). Only this kind of buffering is considered in the rest of this section.

Large buffering capacity in both CN and SRNC would add to the:

- cost of the network (duplication of memory resources)

transit delay (packets may have to stay in 2 large queues)

complexity of the system (coordination between CN and SRNC for buffer management and associated packet scheduling according to QoS)

As a consequence such (large) buffers should only be put in one place (CN or SRNC).

RNC-UE procedures (ARQ RLC) ensure data reliability as long as SRNS relocation or GSM <-> UMTS Hand-Over are not needed. Large buffering capacities as well as procedures to ensure data reliability at SRNS relocation and GSM <-> UMTS Hand-Over (transmission between old and new nodes of downstream packets not yet acknowledged by the UE) should be put where ARQ procedures are located.

Hence the acknowledgement layer LLC that is needed in GSM/GPRS is not needed between CN and UE in UMTS because data reliability is provided between UE and SRNC. In case of SRNS relocation or GSM <-> UMTS Hand-Over, transmission of not yet acknowledged downstream packets between (old and new) SRNC or between SRNC and 2G-SGSN provide the necessary reliability.

Hence large buffers to absorb peaks of downstream traffic as well are not needed in the CN and no flow control between CN and UTRAN needs to be defined in order to control the IP domain user plane flow.

4.2.2.3 Load sharing

To ensure the necessary load sharing on the Iu_PS interface,

When the CN requests the establishment of a Radio Access Bearer (associated with a PDP context) or at SRNS relocation for all Radio Access Bearers (associated with PDP contexts) of an UE, the CN specifies the IP address of the packet processing function allocated to this / each of these PDP context(s) in the CN.

In the response to the CN request, the RNC specifies the IP address of the packet processing function allocated to this / each of these Radio Access Bearer(s) in the RNC.

When it sends downstream traffic in a RAB, the packet processing function in the CN sends the packet to the RNC IP @ received from the SRNC at RAB establishment or at SRNS relocation.

When it sends upstream traffic in this RAB, the packet processing function in the RNC sends the packet to the CN IP @ received from the CN at RAB establishment or at SRNS relocation.

4.3 UMTS Mobility Management (UMM)

From a logical point of view, the CN encompasses two domains, a PSTN/ISDN domain and an IP domain. It shall be possible to connect the UTRAN either to both these CN domains or to one of the CN domains.

A single RRC connection (between UTRAN and UE) shall carry all user plane and signalling flows to/from a UE. This is regardless of where in the CN they originate/terminate.

UMTS shall support compatibility with GSM network from the point of view of roaming and handover. For the LM/MM functionality point of view this implies among other things the following:

- a) IMSI shall be used as the common user identity in the two CN domains.
- b) Common MAP signalling will be applied to both GSM and UMTS. The GSM MAP mobile service operations shall be evolved and re-used as far as possible (including extensions if required). This should not stop new MAP signalling operations being developed and applied to both GSM and UMTS.
- c) Radio network parameters and radio resource management should be isolated in the UTRAN.

The LM/MM techniques used in UMTS should minimise radio resource usage of the UTRA

4.3.1 Location Management and Mobility Management concept overview

From a logical point of view, the Core Network (CN) consists of two service domains, a CS service domain (earlier named PSTN/ISDN domain) and a PS service domain (earlier named IP domain) or one of these domains.

Each service domain has its own service state machine. An UE, that is supporting both CS services and PS services, has a CS service state machine and a PS service state machine. The two peers of the service state machine are working independently to each other, although associated to the same UE. The UE-CN signalling aims to keep the peer entities synchronised.

As an introduction, Figure 9 and Figure 11 below give an overview of the UE registration and connection principles within the UMTS when the CN consists of two separate PS and CS service nodes or one combined CS and PS service node.

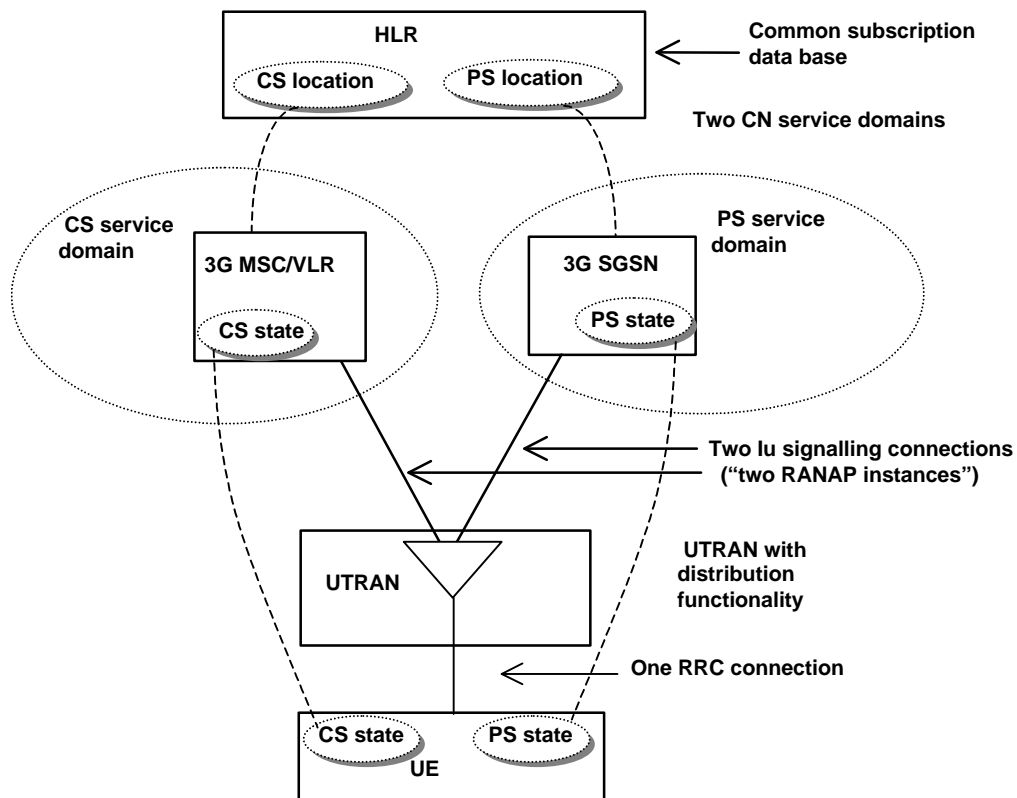


Figure 9: Overview of the UE registration and connection principles within UMTS for the separate CN architecture case when the CN consists of both a CS service domain with evolved MSC/VLR, 3G_MSC/VLR, as the main serving node and an PS service domain with evolved SGSN/GGSN, 3G_SGSN and 3G_GGSN, as the main serving nodes,

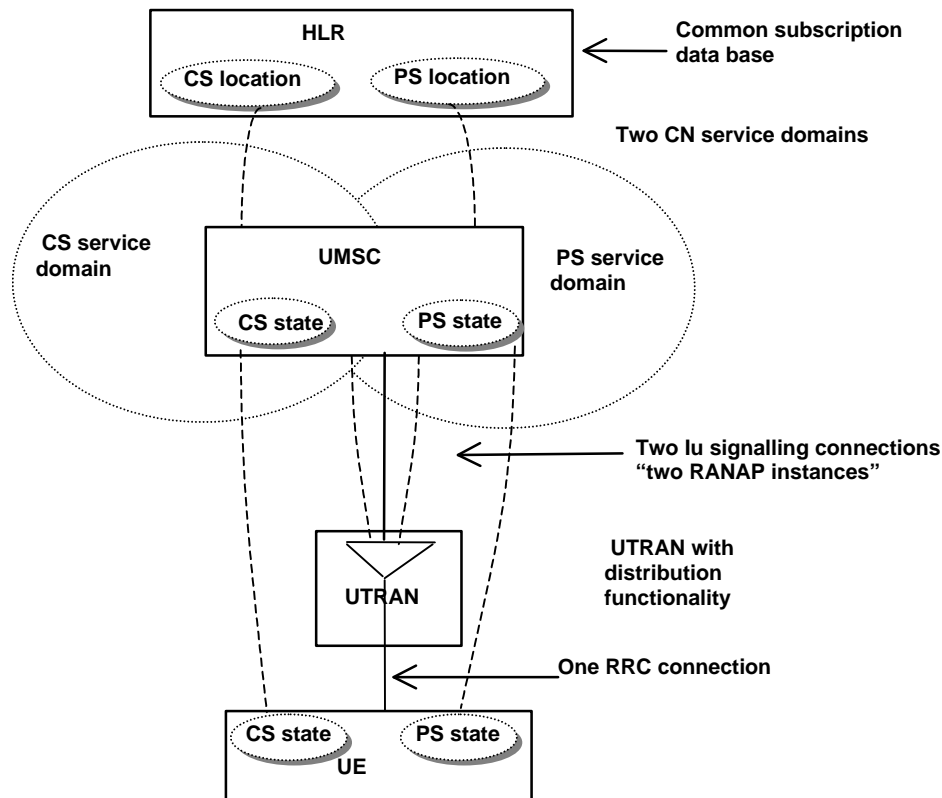


Figure 11: Overview of the UE registration and connection principles within UMTS for the integrated CN architecture case when the CN consists of both a CS service domain and an PS service domain with an UMSC as the main serving node.

The main PS service states are PS-DETACHED, PS-IDLE and PS-CONNECTED. The main CS service states are CS-DETACHED, CS-IDLE and CS-CONNECTED. For the respective service domain there are specific related MM system information controlling the Mobility Management functionality of the UE

The aim of UTRAN is to offer one unified set of radio bearers which may be used for bursty packet traffic and for traditional telephony traffic. This leads to the conclusion that only one logical control channel structure will be used for all kind of traffic. The radio resource handling is UTRAN internal functionality and the CN does not define the type of radio resource allocated.

The Radio Resource Control (RRC) has two modes, RRC Connected mode and RRC Idle mode. The RRC mode describes which identity is used to identify the UE. In RRC Idle mode the UE is identified by a CN associated identity. In RRC Connected mode the UE is assigned a Radio Network Temporary Identity to be used as UE identity on common transport channels. When the UE is allocated dedicated transport channels, it uses the inherent addressing provided by these transport channels.

In PS-CONNECTED state the UE is in RRC Connected mode. In CS-CONNECTED state the UE is in RRC Connected mode.

For the mobility functionality, four different area concepts are used. Location Areas and Routing Areas are used in the Core Network. UTRAN Registration Areas and Cell Areas are used in UTRAN. Location Areas are related to CS services. Routing Areas are related to PS services.

One Location Area is handled by one CN node. For an UE that is registered in a Location Area, this implies that the UE is registered in the specific CN node handling this specific Location Area. One Routing Area is handled by one CN node. For an UE that is registered in a Routing Area, this implies that the UE is registered in the specific CN node handling this specific Routing Area. Location Area is used by the 3G_MSC/VLR for paging the UE. Routing Area is used by the 3G_SGSN for paging the UE. UTRAN Registration Areas and Cell Areas are only visible in UTRAN and used in RRC-Connected mode.

For the relations between Location Area (LA) and Routing Area (RA) it shall be possible for the operator to have a LA and a RA equal (i.e. same cells), a RA as a part of a LA, a LA as a part of RA, and LA and RA independent. In case of a LA and RA consisting of both UMTS cells and GSM cells the GSM defined relations will apply.

In RRC Idle mode it is the broadcasted MM system information (e.g. information about the present Location Area and present Routing Area) that determines when the UE initiates a location registration procedure towards the CN. An UE in state CS-IDLE will in RRC Idle mode, initiate Location Area update towards the CN when crossing LA border. An UE in state PS-IDLE will in RRC Idle mode initiate Routing Area update towards the CN when crossing RA border.

In RRC Connected mode, the UE receives the MM system information on the established RRC connection. (I.e. the broadcasted MM system information is not used by the UE in the RRC connected mode.) An UE in state CS-IDLE will, in RRC Connected mode, initiate Location Area update towards the CN when receiving information indicating a new Location Area. An UE in state PS-IDLE will, in RRC Connected mode, initiate Routing Area update towards the CN when receiving information indicating a new Routing Area. An UE in state CS-CONNECTED will, in RRC Connected mode, not initiate Location Area update towards the CN. An UE in state PS-CONNECTED will, in RRC Connected mode, not initiate Routing Area update towards the CN.

In CS-DETACHED mode the UE will not initiate any Location Area update and this independent of the RRC mode. In PS-DETACHED mode the UE will not initiate any Routing Area update and this independent of the RRC mode.

In addition to normal location registration when changing registration area, the UE may (network options) perform CS periodic registration when in CS-IDLE state and PS periodic registration when in PS-IDLE state. The respective periodic registration may be on/off on Location Area respective Routing Area level.

On the Mobility Management level, IMSI and CS related TMSI are used as UE identities in the CS service domain, and IMSI and PS related TMSI are used as UE identities in the PS service domain. The IMSI is the common UE identity for the two CN service domains.

A signalling connection between the UE and the CN refers to a logical connection consisting of an RRC connection between UE and UTRAN and an Iu signalling connection ("one RANAP instance") between the UTRAN and the CN node. The CS service domain related signalling and PS service domain related signalling uses one common RRC connection and two Iu signalling connections ("two RANAP instances"), i.e. one Iu signalling connection for the CS service domain and one Iu signalling connection for the PS service domain.

4.3.1.1 Use of combined procedures for UMTS

The use of separated PS and CS mobility mechanisms within the UE and within the CN may lead to non-optimal usage of the radio resource (for example a UE in PS idle and CS idle state would perform both location updates (for the CS mechanism) and Routing area updates (for PS mechanisms)).

UMTS should optimise the use of radio resources., The use of combined updates (similar to the current GSM/GPRS Gs combined update mechanism) may enable this. To offer flexibility in the provision of mobility management for UMTS, it should be possible to use combined mechanisms for location management purposes as well as for attach/detach status purposes.

From the UE perspective it should be possible for the UE to perform combined update mechanisms (operator option). UMTS Phase 1 R99 terminals should support the use of both combined and separate mechanisms. The support of this feature by all UMTS mobiles will also ease evolution of UMTS MM in the future.

In the UMTS specifications the RAN will not co-ordinate mobility management procedures that are logically between the core network and the MS. This includes: location management, authentication, temporary identity management and equipment identity check.

The issues of security, temporary identifiers, CS and PS periodic registrations and PS DETACHED/CS DETACHED need to be studied.

4.3.2 Description of the Location Management and Mobility Management Concept

4.3.2.1 Area concepts

For the mobility functionality four different area concepts are used. Location Area and Routing Area in the CN as well as UTRAN Registration Area and Cell areas in the UTRAN.

4.3.2.1.1 Location areas

For CS services, the CN uses Location Areas (LA). Location Area is used e.g. at CN initiated paging related to CS services. A CS service related temporary identity, CS-TMSI, may be allocated to the UE. This temporary identity is then unique within a LA.

4.3.2.1.2 Routing areas

For PS services, the CN uses Routing Areas (RA). Routing Area is used e.g. at CN initiated paging related to PS services. A PS service related temporary identity, PS-TMSI, may be allocated to the UE. This temporary identity is then unique within a RA.

Note that the routing area concept here differs from the routing area in GSM, which in a sense corresponds to URA (see below) in UMTS.

4.3.2.1.3 UTRAN internal areas

UTRAN internal areas are used when the terminal is in RRC-Connected mode (see chapter 3.3). The areas are used at e.g. UTRAN initiated paging. UTRAN internal area updating is a radio network procedure and the UTRAN internal area structure should not be visible outside UTRAN. In RRC connected mode, the UE position is known on cell level or on UTRAN Registration Area (URA) level. RNTI is used as a temporary UE identifier used within UTRAN and allocated at RRC connection establishment. Note that the URA thus corresponds, in a sense, to the routing area in GSM.

4.3.2.1.4 Relationship between the different areas

The following area relations exist:

- One URA consists of a number of cells. The cells normally belong to the same RNC, but this assumption may not be a requirement (ffs.).
- One RA consists of a number of URA:s belonging to RNC:s that are connected to the same CN node.
- One LA consists of a number of URA:s belonging to RNC:s that are connected to the same CN node.
- One RA is handled by only one CN serving node, i.e. one UMSC or one 3G_SGSN.
- One LA is handled by only one CN serving node, i.e. one UMSC or one 3G_MSC/VLR.
- There may not be any relation between LA and RA, i.e. the following relations between LA and RA are possible:
 - RA and LA is equal
 - one RA is a subset of one, and only one, LA, meaning that a RA do not span more than one LA
 - one LA is a subset of one, and only one, RA, meaning that a LA do not span more than one RA
 - independent LA and RA structure

In case of a LA and a RA consisting of both UMTS cells and GSM cells, then the GSM defined relations will apply.

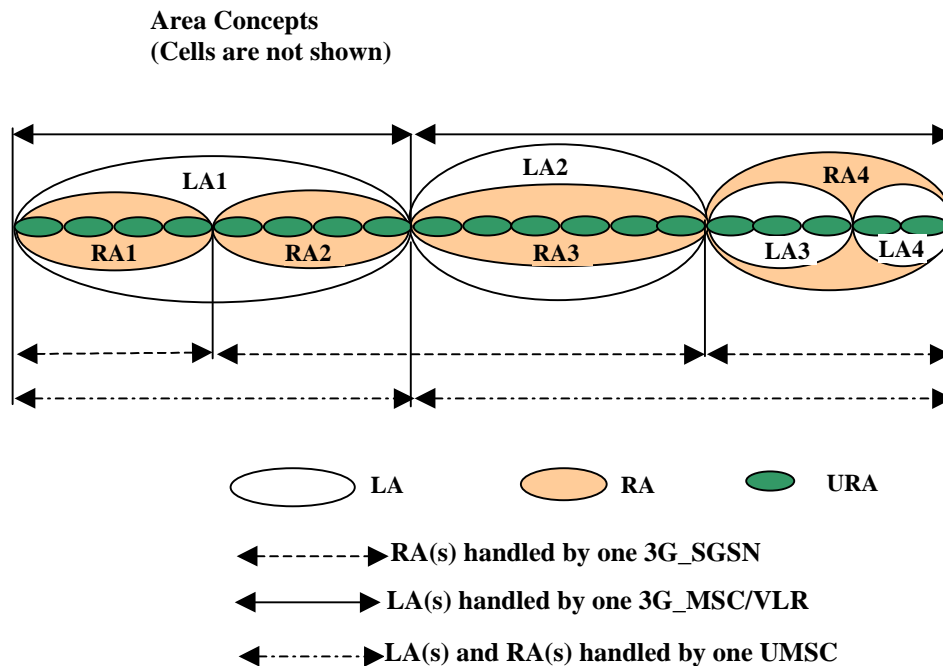


Figure 13: Relationship between different areas. The totally independent LA and RA structure is not described in this figure.

4.3.3 MM functionality in different UE service states

Below are the main UE service states and related MM functionality described. For the determination on when LA or RA is changed, see chapter on “Handling of MM system information”.

CS service states and related MM functionality:

CS-DETACHED: The UE is not reachable by the network for CS services. The UE does not initiate LA updates at LA changes and no periodic CS service updates.

CS-IDLE: The UE is reachable by paging for CS services. The UE initiates LA updates at LA changes. The UE may initiate periodic CS service updates and this depending on the CS periodic update state of the present LA.

CS-CONNECTED: The UE has a signalling connection for CS services established between the UE and the CN. The UE does not initiate LA update (even not when the present LA changes) and no periodic CS service updates.

PS service states and related MM functionality:

PS-DETACHED: The UE is not reachable by the network for PS services. The UE does not initiate RA updates at RA changes and no periodic PS service updates.

PS-IDLE: The UE is reachable by paging for PS services. The UE initiates RA updates at RA changes. The UE may initiate periodic PS service updates and this depending on the PS periodic update state of the present RA.

PS-CONNECTED: The UE has a signalling connection for PS services established between the UE and the CN. The UE does not initiate RA update (even not when the present RA changes) at RA changes and no periodic PS service updates.

There may also be a NULL state. In the UE, this state corresponds to power off or maybe a “no SIM” condition. In the CN, the NULL state correspond to CS-DETACHED and PS-DETACHED

For each state transition there can be several events that triggers the transition. Some of them are described below. Note that some of these may coincide, e.g. moving from CS-IDLE to CS-DETACHED and moving from PS-IDLE to PS-DETACHED.

Moving from CS-IDLE to CS-CONNECTED:

The state transition from CS-IDLE to CS-CONNECTED is performed when a signalling connection is established between UE and CN for CS services. In GSM this state transition is triggered by the message CM_SERVICE_REQUEST or PAGE_RESPONSE.

Moving from CS-CONNECTED to CS-IDLE:

The state transition from CS-CONNECTED to CS-IDLE is performed when the signalling connection for CS services is released, e.g. at call release and no other CS service is ongoing. A radio link failure may also trigger this state transition.

Moving from CS-IDLE to CS-DETACHED:

The transition from CS-IDLE to CS-DETACHED may be triggered by some action from the user of the UE but an expiring timer in the network could also trigger it. The UE is marked as CS_DETACHED in the CN and then as a consequence no CS service establishment is possible.

Moving from PS-IDLE to PS-CONNECTED:

The state transition from PS-IDLE to PS-CONNECTED is performed when a signalling connection is established between UE and CN for PS services.

Moving from PS-CONNECTED to PS-IDLE:

The state transition from PS-CONNECTED to PS-IDLE is performed when the signalling connection for PS services is released, e.g. at release of a PS service and no other PS service is ongoing. A radio link failure may also trigger this state transition.

Moving from PS-IDLE to PS-DETACHED:

The transition from PS-IDLE to PS-DETACHED may be triggered by some action from the user of the UE but an expiring timer in the network could also trigger it. The UE is marked as PS_DETACHED in the CN and then as a consequence no PS service establishment is possible.

4.3.4 The RRC state machine

The RRC state machine is a description model of how the UE and the UTRAN co-operate regarding RRC functionality. The RRC state describes the state of the UE in the UTRAN. Here follows a brief description of the RRC state machine, for more information see [UMTS YY.01] and [UMTS YY.03].

Note: RRC idle mode and RRC connected mode refer to the UE idle mode and UE connected mode respectively in [UMTS YY.01] and [UMTS YY.03].

The RRC state machine exists as peer entities, one in the UE and one in UTRAN. Apart from transient situations and error cases they are synchronised. The figure below illustrates the main modes/states of the RRC state machine.

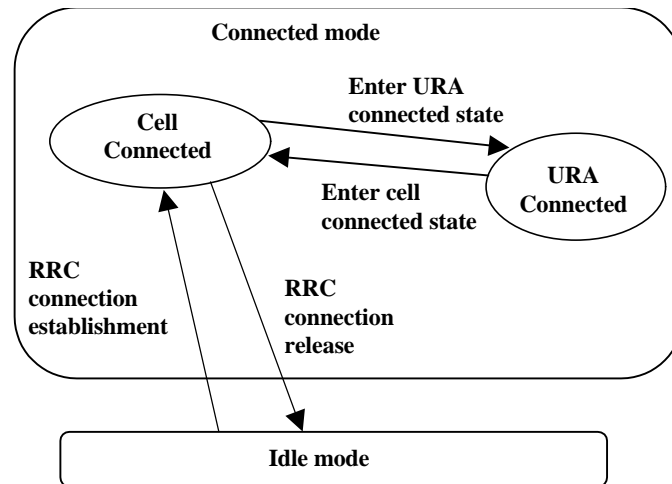


Figure 14: RRC modes, main RRC states and main mode/state transitions

RRC-Idle_mode

In the Idle mode there is no connection established between UE and UTRAN. There is no signalling between UTRAN and the UE except for system information that is sent from UTRAN down link on a Broadcast channel to the UE. The UE can also receive paging messages with a CN identity on the PCH. There is no information on the UE stored in UTRAN in this state.

RRC-Connected_mode

In the Connected mode the main states are Cell Connected state and URA connected state. In this mode there is one RNC that is acting as Serving RNC (SRNC), and an RRC connection is established between the UE and this SRNC.

- When the UE position is known on cell level, the UE is in the cell connected state. When in cell connected state, the RRC connection mobility is handled by handover procedures.
- When the UE position is known on URA level, the UE is in the URA connected state. The URA contains a set of cells. URA updating procedures provides the mobility functionality in this state. In URA connected state no dedicated radio resources are used.

4.3.5 Relationship between CS and PS service states and RRC state for an UE

During non-transient conditions the following relations are valid between service states and RRC modes for an UE:

When in either CS-CONNECTED state or PS-CONNECTED state, or in both CS-CONNECTED state and PS-CONNECTED state, then the UE is in RRC connected mode.

When in neither CS-CONNECTED state nor PS-CONNECTED state, then the UE is in RRC idle mode.

Figure 15 and Figure 17 illustrate two examples on the relations between the RRC states and CS/PS service states. These figures illustrate the separated CN case.

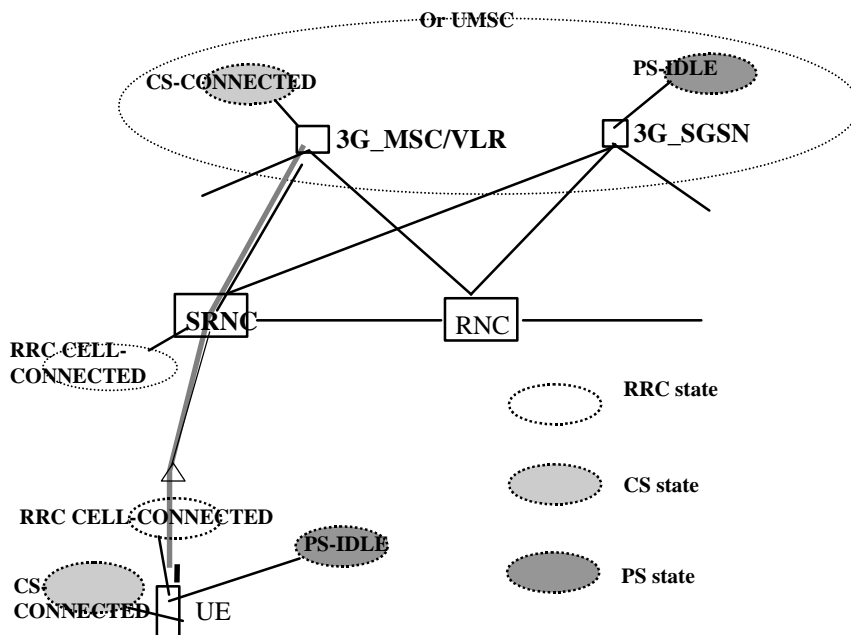


Figure 15: UE in CS-CONNECTED state and PS-IDLE state.

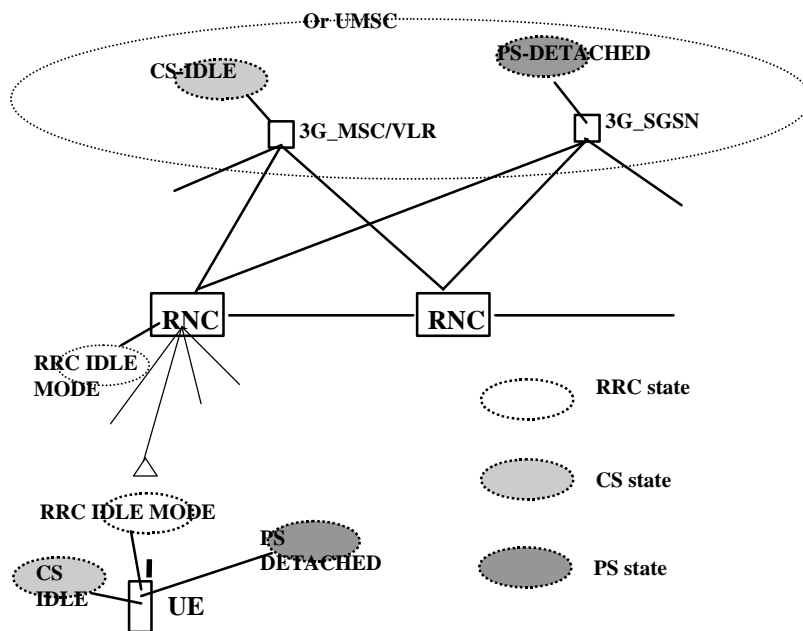


Figure 17

4.3.6 Service registration and location update

Service registration (attach) in the respective CN service domain is done initially (after UE being detached due to e.g. power off). When a registration area is changed a location update is performed. In addition, periodic registration can be performed. Here follows descriptions of when the respective CN registration area is changed. Note it is not here defined which different registration procedures that are needed.

4.3.6.1 Location area update

Location area update is initiated by the UE to inform the CS service domain of the core network that the UE has entered a new location area. In case the new location area is in an area served by another CN node, the location area update also triggers the registration of the subscriber in the new CN node and a location update for CS services towards the HLR.

Location area update is only initiated by the UE when the UE is in state CS-IDLE, and this independently of the PS state. If the UE is CS-IDLE but RRC connected, which means that the UE is in PS-CONNECTED state, location area update is initiated by the UE when it enters a new location area (see also the chapter “Handling of MM system

4.3.6.2 Routing area update

Routing area update is initiated by the UE to inform the PS service domain of the core network that the UE has entered a new routing area. In case the new routing area is in an area served by another CN node, the routing area update also triggers the registration of the subscriber in the new CN node and a location update for PS services towards the HLR.

Routing area update is only initiated by the UE when the UE is in state PS-IDLE, and this independently of the CS state. If the UE is PS-IDLE but RRC connected, which means that the UE is in CS-CONNECTED state, routing area update is initiated by the UE when it enters a new routing area (see also the chapter “Handling of MM system information”).

4.3.6.3 Combined updates

The GSM radio interface combined procedures and their support via the Gs interface is the starting point for the support of combined updates..

4.3.7 Paging initiated by CN

Here follows a possible solution with a page co-ordination within the UTRAN. Other alternatives are possible.

A CN node requests paging only for UE in CS-IDLE state or PS IDLE state. In the separate CN architecture, paging from a CN node is done independent of the service state of the UE in the other CN service domain.

In this alternative with page co-ordination in UTRAN, the UE does not need to listen to the PCH (Page Channel) in RRC connected mode. (At least not when UE is allocated a dedicated channel.)

At each page request received from a CN node, the RNC controls whether the UE has an established RRC connection or not. For this, the context that is build up in the SRNC for UE in RRC connected mode must contain the IMSI, i.e. the UE identity common for the two CN domains.

If no context is found for the UE, “normal PCH paging” is performed. This implies transfer on the Paging channel of a page message indicating the UE paging identity received from the CN and a CN service domain type indication.

If a context is found, a “CN paging message” is transferred using the existing RRC connection. This message indicates then the UE paging identity received from the CN and a CN service domain type indication.

In case of a single CN element, paging may be (but not mandatory) co-ordinated at the CN.

Note: The RNC might use another identity e.g. TMSI, P-TMSI, or other radio related identity, to page the mobile.

4.3.8 Signalling connection establishment

A signalling connection between the UE and a CN node refers here to a logical connection consisting of an RRC connection between UE and UTRAN and an Iu signalling connection between UTRAN and the CN node. The signalling connection is used for transfer of higher layer (MM, CM) information between the UE and the CN node.

At a CM service request to one of the CN service domains, UE will only request establishment of a new signalling connection when no such connection exists towards the applicable CN service domain.

If no RRC connection exists, this is established in conjugation with (before) the transfer of the signalling establishment request. At the RRC connection establishment, an UE context is built up in the SRNC.

If an RRC connection is already established, the UE will send the signalling establishment request using that RRC connection.

At reception of the signalling establishment request, the SRNC will establish an Iu connection towards the CN node indicated by the CN service domain type received from UE.

4.3.9 Relations between SRNS relocation and Location registration

This chapter is included in order to clarify the need for separate handling of MM registration area (LA and RA) information in RRC idle mode respective in RRC connected mode. The following example illustrates relations between SRNC relocation, registration area (LA/RA) change and location/routing area updates. As shown in the example, this is equally applicable for a UMSC as well as the 3G-MSC/VLR and 3G-SGSN.

Note that the example is based on the assumptions that one RNC can set up Iu connections to only one 3G_MSC/VLR (or UMSC) and only one 3G_SGSN (or UMSC), and that the CN node is configured to only send page to the RNC(s) that is controlling cells within the relevant LA/RA

Preconditions:

LA1 (Location Area 1) is handled by 3G_MSC/VLR1 (or UMSC1) and LA2 is handled by 3G_MSC/VLR2 (or UMSC2)

RA1 (Routing Area 1) is handled by 3G_SGSN1 (or UMSC1) and RA2 is handled by 3G_SGSN2 (or UMSC2)

UE is registered in LA1 in 3G_MSC/VLR1 and in RA1 in 3G_SGSN1

The UE is in PS-CONNECTED state and a signalling connection exists between UE and 3G_SGSN1

The UE is in CS-IDLE state and no signalling connection exists between UE and 3G_MSC/VLR1

RNC1 is acting as SRNC and RNC2 is acting as DRNC

UE is in RRC cell connected state and with dedicated channels established to cells within both RNC1 and RNC2. UE does not listening to the PCH.

The registration area information sent to the UE indicates LA1 and RA1

The UE can always (at least in normal working states) identify the present available registration area (LA respective RA) associated with the respective CN service domain. The determination of the present area differs depending on the state of the UE. For UE in RRC idle mode (UE with no ongoing communication with the network) it is the cell selection mechanism in the UE that is used. For UE in RRC connected mode it is the UTRAN that determines the area (although a change can implicit be initiated by the UE).

It is the network that supplies the MM system information to the UE. For UE in RRC idle mode the MM system information is provided by the system information broadcasting function. For UE in RRC connected mode, the MM system information is supplied by the SRNC to the UE at each change of this information. This leads to that in RRC connected mode, the MM registration area (e.g. LA and RA) information sent on broadcast channel is not used.

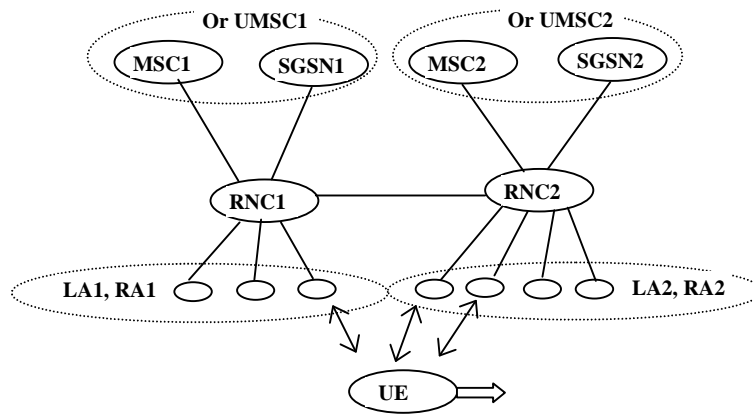


Figure 19: Illustration of the preconditions in the described example. In this figure MSC stands for 3G_MSC/VLR and SGSN for 3G_SGSN.

The UE moves now further towards right, leaving the coverage area of cells controlled by RNC1, and resulting in that the UE has dedicated channel(s) established to cell(s) within only RNC2. This may result in the following sequence of events:

The SRNC (RNC1) may decide to perform an SRNC relocation resulting in that the RNC2 becomes SRNC. The change of SRNC will in this example also imply a change of SGSN (or UMSC) with an update of the UE location registration for the PS service domain.

After this SRNC relocation or combined with this procedure, the MM registration area information sent to the UE is changed and indicates now LA2 and RA2. (Note that the MM registration area information need not be sent for every SRNS relocation, nor does it preclude MM registration area information being sent in other occasions.)

The changed MM registration area information will result in that the UE initiates a location update, which results in a registration change from LA1 in 3G_MSC/VLR1 to LA2 in 3G_MSC/VLR2.

The area information can not be changed to indicate LA2 unless SRNC relocation has been performed. This since the location update signalling will be sent from the UE, by using the established RRC connection to SRNC, and then to the 3G_MSC/VLR to which the SRNC belongs.

4.3.10 Requirements on Identifiers for UMTS and GSM

1a) The format of the UMTS Location Area Identifier and UMTS TMSI shall not prevent a dual mode GSM-UMTS mobile which was last location updated over the GSM radio interface (i.e. has a GSM LAI and GSM TMSI), from performing a location update (or other signalling) over the UMTS radio interface to a UMTS MSC.

1b) The format of the UMTS Location Area Identifier and UMTS TMSI shall not prevent a dual mode GSM-UMTS mobile which was last location updated over the UMTS radio interface (i.e. has a UMTS LAI and UMTS TMSI), from performing a location update (or other signalling) over the GSM radio interface to a GSM MSC.

1c) The format of the UMTS Routing Area Identifier and UMTS P-TMSI shall not prevent a dual mode GSM-UMTS mobile which was last routing area updated over the GSM radio interface (i.e. has a GSM RAI and GSM P-TMSI), from performing a routing area update (or other signalling) over the UMTS radio interface to a UMTS SGSN.

1d) The format of the UMTS Routing Area Identifier and UMTS P-TMSI shall not prevent a dual mode GSM-UMTS mobile which was last routing area updated over the UMTS radio interface (i.e. has a UMTS RAI and UMTS P-TMSI), from performing a routing area update (or other signalling) over the GSM radio interface to a GSM SGSN.

2) The standard shall support means by which an operator can configure GSM and UMTS cells to be members of the same registration area (i.e. the mobile can receive paging from whichever cell it is camped on and does not need to location update (or routing update) just because the mobile has changed from a UMTS to a GSM cell).

3a) The standard shall support means by which an operator can allocate GSM and UMTS LAIs which enable GSM MSCs to be able to contact UMTS MSCs and vice versa.

3b) The standard shall support means by which an operator can allocate GSM and UMTS RAIs which enable GSM SGSNs to be able to contact UMTS SGSNs and vice versa.

4) The standard shall support means by which an operator can ensure that the IMSI does not need to be sent over the radio interface when the mobile station moves from a GSM cell to a UMTS cell (and vice-versa).

5) The standard shall support means by which an operator can ensure that the IMSI does not need to be sent over the radio interface when a USIM is moved from a UMTS mobile station to a GSM mobile station (and vice-versa).

6) The standard need not support means by which an operator can ensure that the IMSI is not sent over the radio interface when a GSM SIM is moved from a GSM mobile station to a UMTS mobile station (and vice-versa).

4.3.11 Use of TMSI signature

The TMSI signature concept shall be used during the IMSI attach procedure, IMSI detach procedure and during the location update procedure. However, it may also be used in almost all cases when authentication is performed e.g. call setup. Note that if the TMSI is sent in the clear, then a new one should be issued. As the use of a P-TMSI signature is already defined within GPRS, only the modifications necessary for CS service domain shall be shown below.

4.3.11.1 IMSI attach

Figure 1 shows the signalling procedure for a *first time (IMSI based) attach* (i.e. when no TMSI is available in the UE). The following list explains the relevant steps involved in the procedure.

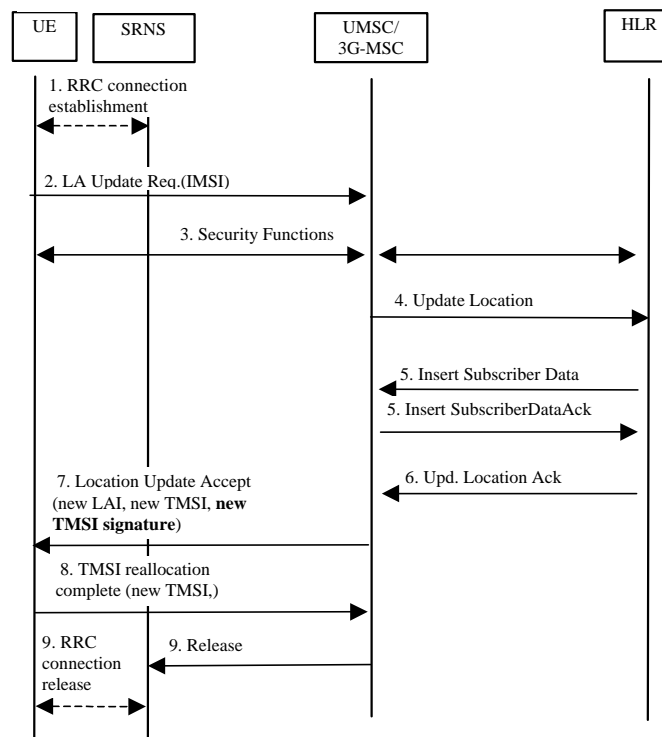


Figure 20: Attach Procedure using TMSI signature

1). An RRC connection is established.

2). Upon the very first attach towards the network, the MS shall send a Location Area Update Request message towards the MSC/UMSC, indicating an IMSI attach, and identifying itself with IMSI.

2 – 6) The LA updating procedure shall be carried out as per normal within the network.

7). The MSC/UMSC shall optionally generate and send a TMSI signature within the Location Area Update Accept message to the MS, which will be stored by the MS.

8) The MS acknowledges the new TMSI.

9). The RRC connection may be released.

4.3.11.2 Location Area update

Figure 2 shows the signalling for a location update procedure involving change of 3G-MSC / UMSC. Note that when the authentication procedure using TMSI signature is successful, security functions using Ki are no longer required. The following list explains the relevant steps involved in the procedure.

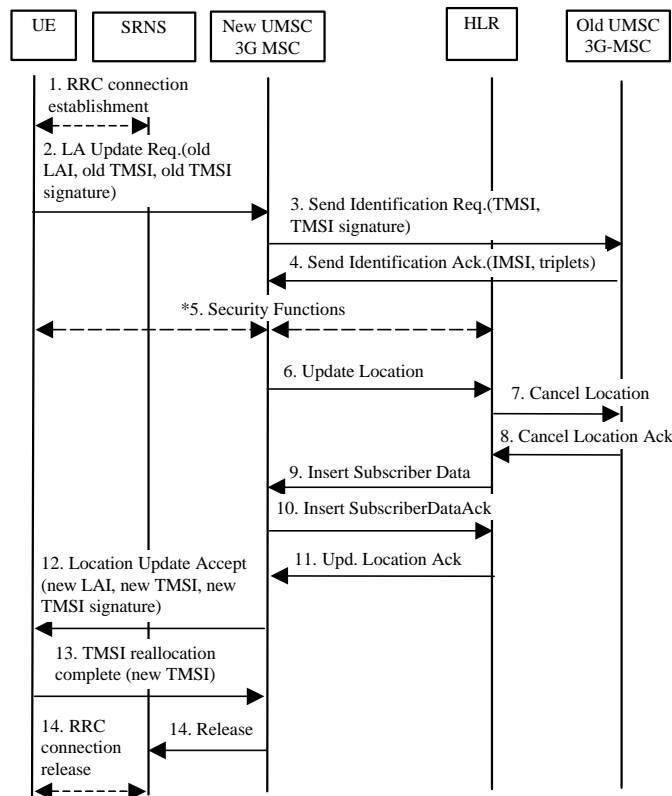


Figure 21: Location Update using TMSI signature

1) An RRC connection is established.

2) The UE shall send a Location Area Update Request (old LAI, old TMSI, old TMSI signature) towards the new UMSC/MSC.

3-5) The new UMSC/MSC shall send a Send Identification Request (TMSI, TMSI signature) to the old UMSC/MSC. The old UMSC validates the old TMSI signature and responds with an appropriate error cause if it does not match the value stored. This should initiate the security function in the new UMSC. Otherwise, the old UMSC responds with a Send Identification Acknowledge (IMSI, Authentication triplets).

6-11) The LA updating procedure shall be carried out as per normal within the network.

12) The new UMSC/MSC shall optionally generate and send a TMSI signature within the Location Area Update Accept message to the UE.

13) The UE acknowledges the new TMSI.

4.3.11.4 IMSI detach procedure

When the UE performs the detach procedure, TMSI is included in the detach message. If the network has allocated the TMSI signature for the UE, e.g., in the previous location update or attach procedure, TMSI signature is included in the detach message for the verification purpose.

4.3.12 Signalling procedures

4.3.12.1 Idle mode procedures

The signalling procedures shown in the following sections do not represent the complete set of possibilities, nor do they mandate this kind of operation. The standard will specify a set of elementary procedures for each interface, which may be combined in different ways in an implementation. Therefore these sequences are merely examples of a typical implementation. By default the combined procedures as defined in GSM 03.60 are also applicable when using Gs.

Furthermore the list of parameters may not be complete, but should only be seen as examples of possible information carried by the messages.

4.3.12.1.1 Location Area update

This example shows location registration when changing Location Area including change of 3G-MSC/VLR and when the UE is in MM idle state towards the 3G_MSC/VLR.

The illustrated transfer of MM signalling to/from the UE uses an established RRC connection. This RRC connection can have been established beforehand due to ongoing interwork between UE and 3G-SGSN or be established only for this location registration procedure towards the 3G_MSC/VLR.

For each indicated MM message sent in this case to/from UE, the CN discriminator indicates 3G_MSC/VLR.

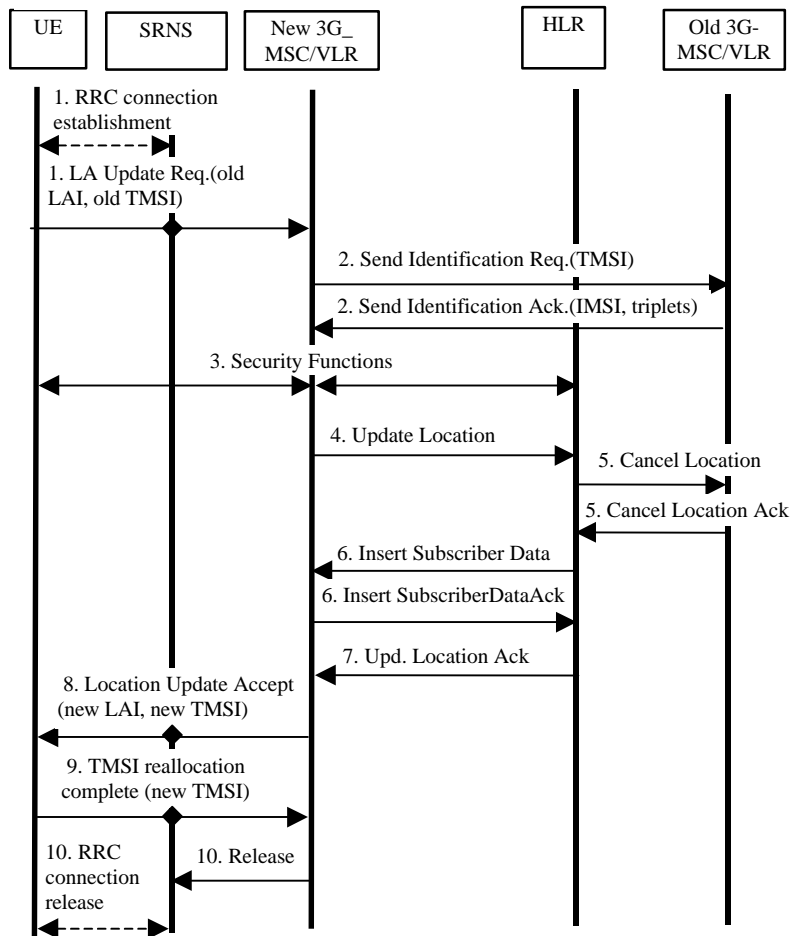


Figure 22: Interface information transfer for location update when changing VLR area

- The RRC connection is established, if not already done. The UE sends the initial message Location Area Update Request (old TMSI, old LAI, etc.) to the new 3G_MSC/VLR. The old TMSI and the old LAI are assigned data in UMTS. The SRNS transfers the message to the 3G_MSC/VLR. The sending of this message to 3G_MSC/VLR will also imply establishment of a signalling connection between SRNS and 3G_MSC/VLR for the concerned UE. The 3G_MSC/VLR determines the new Location Area for the UE. Whether the 3G_MSC/VLR derives the new LAI from information supplied by the UE or by the SRNS is ffs.
- The new 3G_MSC/VLR sends an Send Identification Request (old TMSI) to the old 3G_MSC/VLR to get the IMSI for the UE. (The old LAI received from UE is used to derive the old 3G_MSC/VLR identity/address.) The old 3G_MSC/VLR responds with Send Identification Ack. (IMSI and Authentication triplets).
- Security functions may be executed.
- The new 3G_MSC/VLR inform the HLR of the change of 3G_MSC/VLR by sending Update Location (IMSI, MSC address, VLR number) to the HLR.
- The HLR cancels the context in the old 3G_MSC/VLR by sending Cancel Location (IMSI). The old 3G_MSC/VLR removes the context and acknowledges with Cancel Location Ack .
- The HLR sends Insert Subscriber Data (IMSI, subscription data) to the new 3G_MSC/VLR. The new 3G_MSC/VLR acknowledges with Insert Subscriber Data Ack.
- The HLR acknowledges the Update Location by sending Update Location Ack. to the new 3G_MSC/VLR.
- The new 3G_MSC/VLR validates the UE presence in the new LA. If due to regional, national or international restrictions the UE is not allowed to attach in the LA or subscription checking fails, then the new 3G_MSC/VLR

rejects the location area update with an appropriate cause. If all checks are successful, then the new 3G_MSC/VLR responds to the UE with Location Area Update Accept (new TMSI, new LAI).

- The UE acknowledges the new TMSI with a TMSI reallocation Complete. (TMSI can optionally be reallocated with the TMSI reallocation procedure).
- When the location registration procedure is finished, the 3G_MSC/VLR may release the signalling connection towards the SRNS for the concerned UE. The SRNS will then release the RRC connection if there is no signalling connection between 3G_SGSN and SRNS for the UE.

4.3.12.1.2 Routing Area update

This example shows location registration when changing Routing Area including change of 3G_SGSN when the UE is in MM idle state towards the 3G_SGSN.

The illustrated transfer of MM signalling to/from the UE uses an established RRC connection. This RRC connection can have been established beforehand due to ongoing interwork between UE and 3G_MSC/VLR or be established only for this location registration procedure towards the 3G_SGSN.

For each indicated MM message sent in this case to/from UE, the CN discriminator indicates 3G_SGSN.

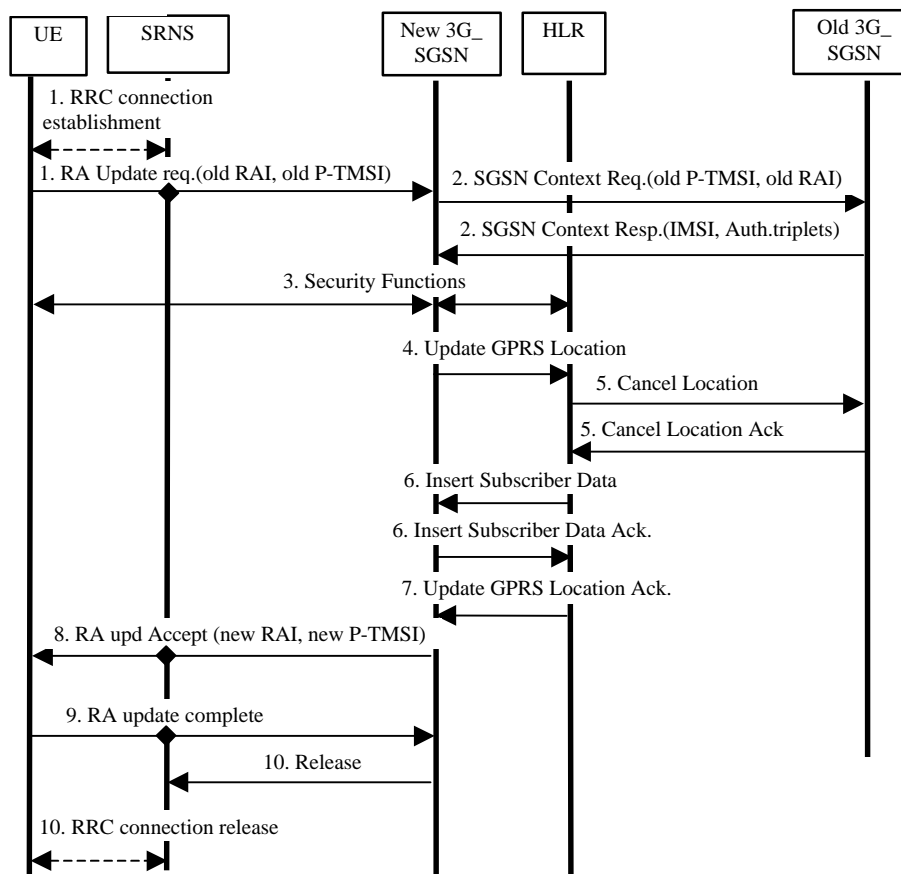


Figure 23 Interface information transfer for Routing Area update when changing SGSN area (successful case)

- The RRC connection is established, if not already done. The UE sends the initial message Routing Area Update Request (old P-TMSI, old RAI, etc.) to the new 3G_SGSN. The old P-TMSI and the old RAI are assigned data in UMTS. The SRNS transfers the message to the 3G_SGSN. The sending of this message to 3G_SGSN will also imply establishment of a signalling connection between SRNS and 3G_SGSN for the concerned UE. The 3G_SGSN determines the new Routing Area for the UE. Whether the 3G_SGSN derives the new RAI from information supplied by the UE or by the SRNS is ffs.

- The new 3G_SGSN send an SGSN Context Request (old P-TMSI, old RAI) to the old 3G_SGSN to get the IMSI for the UE. (The old RAI received from UE is used to derive the old 3G_SGSN identity/address.) The old 3G_SGSN responds with SGSN Context Response (e.g. IMSI and Authentication triplets).
- Security functions may be executed.
- The new 3G_SGSN informs the HLR of the change of 3G_SGSN by sending Update GPRS Location (IMSI, SGSN number, SGSN address) to the HLR.
- The HLR cancels the context in the old 3G_SGSN by sending Cancel Location (IMSI). The old 3G_SGSN removes the context and acknowledges with Cancel Location Ack.
- The HLR sends Insert Subscriber Data (IMSI, subscription data) to the new 3G_SGSN. The new 3G_SGSN acknowledges with Insert Subscriber Data Ack.
- The HLR acknowledges the Update GPRS Location by sending Update GPRS Location Ack. to the new 3G_SGSN.
- The new 3G_SGSN validate the UEs presence in the new RA. If due to regional, national or international restrictions the UE is not allowed to attach in the RA or subscription checking fails, then the new 3G_SGSN rejects the Routing Area Update Request with an appropriate cause. If all checks are successful, then the new 3G_SGSN responds to the UE with Routing Area Update Accept (new P-TMSI, new RAI, etc.).
- The UE acknowledges the new P-TMSI with Routing Area Update Complete.
- When the location registration procedure is finished, the 3G_SGSN may release the signalling connection towards the SRNS for the concerned UE. The SRNS will then release the RRC connection if there is no signalling connection between 3G_MSC/VLR and SRNS for the UE.

4.3.12.1.3 Periodic Registration towards both CN nodes without use of Gs

This example shows Periodic Registration to both the 3G_MSC/VLR and the 3G-SGSN (i.e. no change of registration areas) when the UE is in MM idle state and registered in both the 3G_SGSN and the 3G_MSC/VLR.

The illustrated transfer of MM signalling to/from the UE uses an established RRC connection. This RRC connection will be established, in this case, only for the two registration procedures towards the 3G_SGSN and 3G_MSC/VLR.

For each indicated MM message sent to/from UE, the CN discriminator indicates either 3G_SGSN or 3G_MSC/VLR.

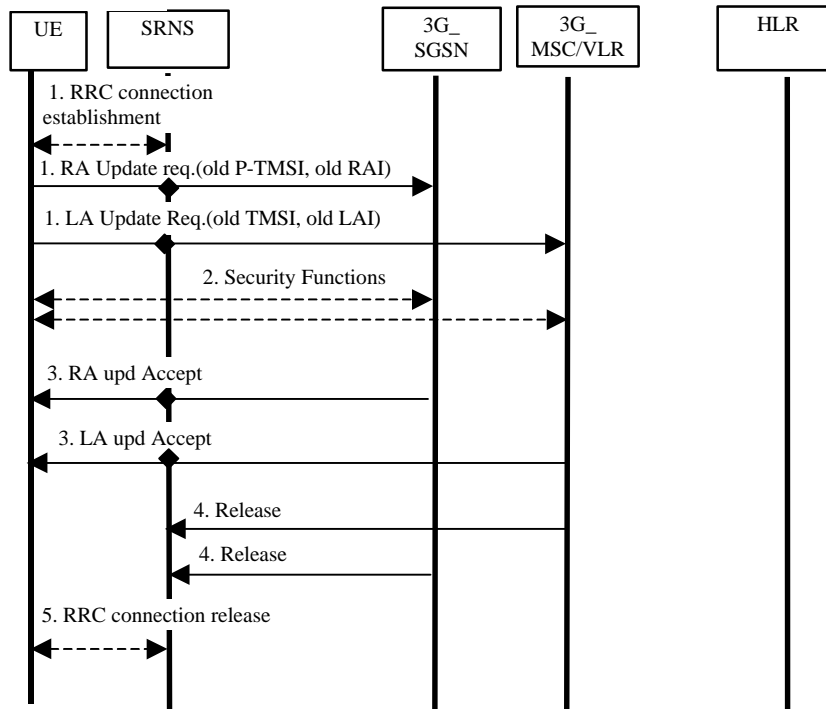


Figure 24 Interface information transfer for periodic registration to 3G_SGSN and 3G_MSC/VLR (successful case)

- The RRC connection is established. The UE sends the initial messages Routing Area Update Request (old P-TMSI, old RAI, etc.) to the 3G_SGSN and Location Area Update Request (old TMSI, old LAI, etc.) to the 3G_MSC/VLR. In both cases, the UE will indicate the cause periodic registration. The sending of the respective message to SGSN respective to MSC/VLR will also imply establishment of a signalling connection between SRNS and SGSN and a signalling connection between SRNS and MSC/VLR for the concerned UE.
- Security functions may be executed.
- The 3G_SGSN respective the 3G_MSC/VLR validates the UEs presence. If all checks are successful, then the 3G_SGSN responds to the UE with Routing Area Update Accept and 3G_MSC/VLR responds to the UE with Location Area Update Accept.
- When the periodic registration procedure is finished, the 3G_SGSN respective the 3G_MSC/VLR may release the signalling connection towards the SRNS for the concerned UE. If both CN nodes release the signalling connection towards the SRNS for the concerned UE, then the SRNS will release the RRC connection towards the UE.

4.3.12.1.4 Periodic Registration with use of Gs/UMSC

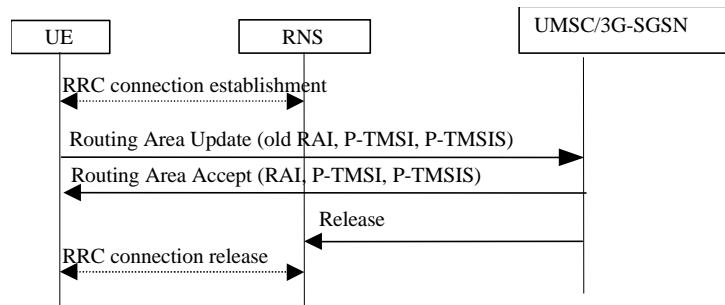


Figure 25: Periodic update procedure when the MS is attached for both CS and PS services

An RRC connection is established for the periodic registration. Note that this procedure is invoked only when the UE is in MM-idle state. The UE sends a Routing Area Update to the UMSC. The UMSC authenticates the P-TMSI signature. If the update is successful it sends a Routing Area Accept message. The RRC connection is then released.

4.3.12.1.5 UE initiated Combined Detach Procedure when using Gs/UMSC

The UE-Initiated Detach procedure when initiated by the UE is illustrated in Figure 30. Each step is explained in the following list.

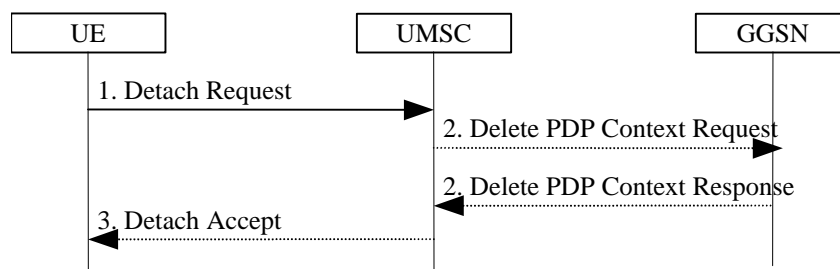


Figure 26: UE-Initiated Combined Detach Procedure (The procedure for combined detach when using Gs is as defined in GSM 03.60)

- 1) The UE detaches by sending Detach Request (Detach Type, Switch Off) to the UMSC. Detach Type indicates which type of detach that is to be performed, i.e., PS Detach only, CS Detach only or combined Detach. Switch Off indicates whether the detach is due to a switch off situation or not.
- If PS detach, any active PDP contexts in the GGSNs regarding this particular UE may be deactivated. This is FFS
- If Switch Off indicates that the detach is not due to a switch off situation, the UMSC sends a Detach Accept to the UE.

4.3.12.2 SRNS Relocation

4.3.12.2.1 SRNS relocation principles

To carry out SRNS relocation, the source SRNC must launch the SRNS relocation procedure, since it is not the target SRNC but the source SRNC that knows the current services of an user. This is done only when this procedure has the least adverse effect on user traffic,

The SRNC relocation procedures shall ensure that there is only one Serving RNC for an user even if this user has services through more than one (IP or ISDN) domain.

The SRNS relocation procedure is split in 2 phases. In the first one resources are reserved on the new Iu interfaces and (if needed) inside the CN. Only when this first phase has been successfully carried out for all domains on which the user has currently some services, the source SRNC can launch the second phase i.e. hand-over the role of SRNC to the target SRNC.

The signalling procedures shown in the following sections do not represent the complete set of possibilities, nor do they mandate this kind of operation. The standard will specify a set of elementary procedures for each interface, which may be combined in different ways in an implementation. Therefore these sequences are merely examples of a typical implementation. In these examples MSC stands for 3G_MSC/VLR and SGSN stands for 3G_SGSN.

Furthermore the list of parameters may not be complete, but should only be seen as examples of possible information carried by the messages.

4.3.12.2.2 SRNS relocation (UE connected to a single CN node, 3G_MSC/VLR) followed by Location Registration in new Routing Area

This example shows SRNS relocation when source RNC and target RNC are connected to different 3G_MSC/VLR. This is then followed by a Routing Area update procedure towards a new SGSN. Figure 27 and Figure 29 illustrate the situation before respective after the SRNS relocation and location registration. Figure 31 illustrates the signalling sequence where each step is explained in the following list.

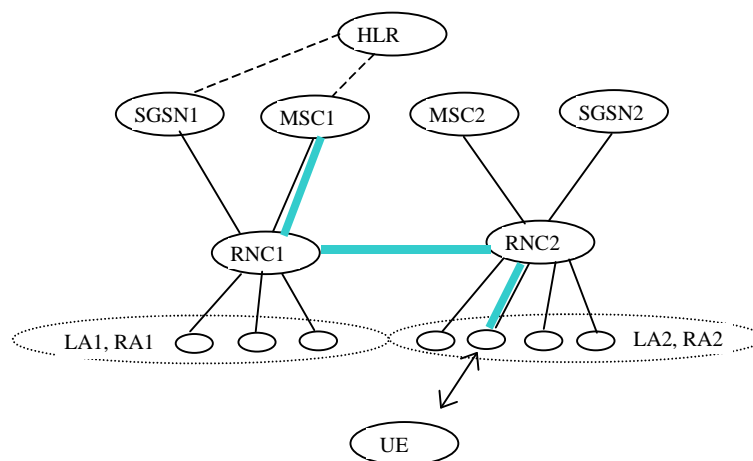


Figure 27 Before the SRNS relocation and location registration

Before the SRNS relocation and location registration the UE is registered in SGSN1 and in MSC1. The UE is in state MM idle towards the SGSN1 and in state MM connected towards the MSC1. The RNC1 is acting as SRNC and the RNC2 is acting as DRNC.

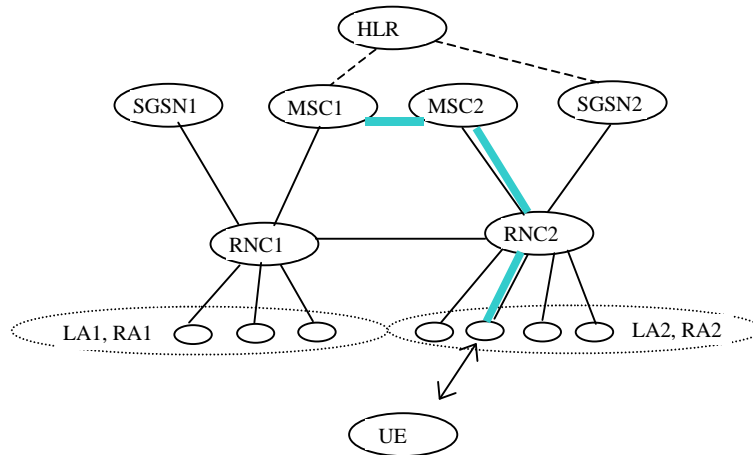


Figure 29 After the SRNS relocation and location registration

After the SRNS relocation and location registration the UE is still registered in MSC1 while the registration in the IP domain has changed from SGSN1 to SGSN2. The UE is in state MM idle towards the SGSN2 and in state MM connected towards the MSC1. The RNC2 is acting as SRNC.

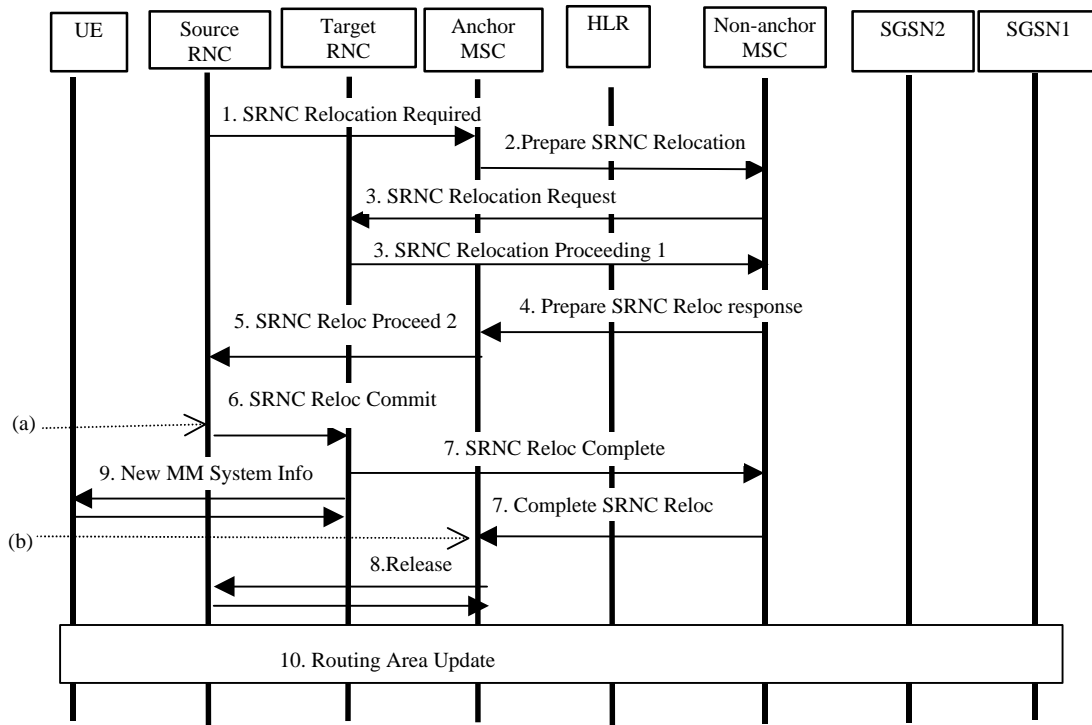


Figure 31 Interface information transfer for SRNS relocation when UE connected to 3G_MSC/VLR followed by location registration in new Routing Area.

- UTRAN makes the decision to perform the Serving RNC relocation procedure. This includes decision on into which RNC (Target RNC) the Serving RNC functionality is to be relocated. The source SRNC sends SRNC Relocation required messages to the MSC. This message includes parameters such as target RNC identifier and an information field that shall be passed transparently to the target RNC.
- Upon reception of SRNC Relocation required message the Anchor MSC (MSC1) prepares itself for the switch and determines from the received information that the SRNC relocation will (in this case) involve another MSC.

The Anchor MSC will then send a Prepare SRNC Relocation Request to the applicable non-anchor MSC (MSC2) including the information received from the Source RNC.

- The non-anchor MSC will send a SRNC Relocation Request message to the target RNC. This message includes information for building up the SRNC context, transparently sent from Source RNC (UE id., no of connected CN nodes, UE capability information), and directives for setting up Iu user plane transport bearers. When Iu user plane transport bearers have been established, and target RNC has completed its preparation phase, SRNC Relocation Proceeding 1 message is sent to the non-anchor MSC.
- The Prepare SRNC Relocation Response that is sent from non-anchor MSC to Anchor MSC will contain the SRNC Relocation Proceeding 1 received from target RNC.
- When the SRNC Relocation Proceeding 1 has been received in the Anchor MSC, the user plane transport bearers has been allocated the whole path between target RNC and Anchor MSC and the Anchor MSC is ready for the SRNC move, then the Anchor MSC indicates the completion of preparation phase at the CN side for the SRNC relocation by sending the SRNC relocation proceeding 2 message to the Source RNC.
- When the source RNC has received the SRNC Relocation Proceeding 2 message, the source RNC sends a SRNC Relocation Commit message to the target RNC. The target RNC executes switch for all bearers at the earliest suitable time instance.
- Immediately after a successful switch at RNC, target RNC (=SRNC) sends SRNC Relocation Complete message to the non-anchor MSC. This message is included by the non-anchor MSC in the Complete SRNC relocation message that is sent to the anchor MSC. Upon reception of this message, the Anchor-MSC switches from the old Iu transport bearers to the new ones.
- After a successful switch at the Anchor MSC, a release indication is sent towards the Source RNC. This will imply release of all UTRAN resources that were related to this UE.
- When the target RNC is acting as SRNC, it will send New MM System Information to the UE indicating e.g. relevant Routing Area and Location Area. Additional RRC information may then also be sent to the UE, e.g. new RNTI identity.
- When receiving new MM system information indicating a new Routing Area, the UE will in this case initiate a Routing Area update procedure towards the SGSN.
- Before point (a), in Figure 31, the connection is established between UE and Anchor MSC via Source RNC.
- After point (b), in Figure 31, the connection is established between UE and Anchor MSC via Target RNC and Non-anchor MSC.

4.3.12.2.3 SRNS relocation (UE connected to a single CN node, 3G_SGSN) followed by Location Registration in new Location Area

This example shows SRNS relocation when source RNC and target RNC are connected to different 3G_SGSN. Figure 33 and Figure 35 illustrate the situation before respective after the SRNS relocation and location registration. Figure 37 illustrates the signalling sequence where each step is explained in the following list.

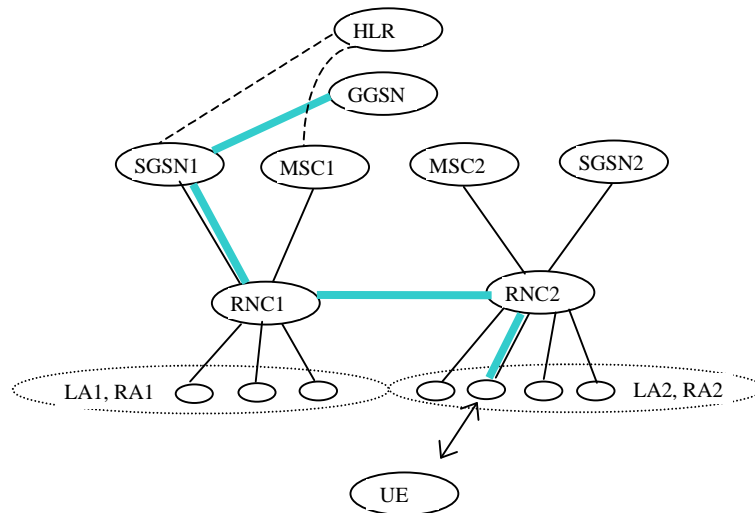


Figure 33 Before the SRNS relocation and location registration

Before the SRNS relocation and location registration the UE is registered in SGSN1 and in MSC1. The UE is in state MM connected towards the SGSN1 and in state MM idle towards the MSC1. The RNC1 is acting as SRNC and the RNC2 is acting as DRNC.

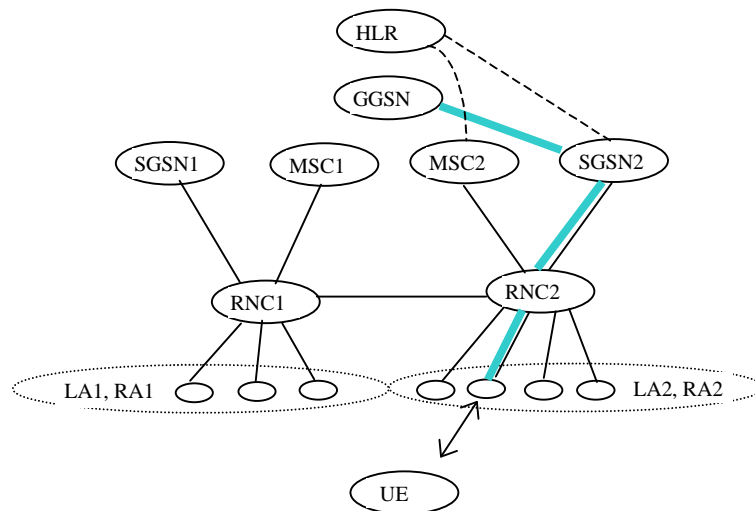


Figure 35 After the SRNS relocation and location registration

After the SRNS relocation and location registration the UE is registered in MSC2 and in SGSN2. The UE is in state MM connected towards the SGSN2 and in state MM idle towards the MSC2. The RNC2 is acting as SRNC.

At SRNS relocation:

The source and target SGSN exchange CN level information (CN classmark, list of established PDP contexts)

The source and target SRNC exchange UTRAN level information (UTRAN classmark,...) and information used to ensure that no user packet is lost nor duplicated during the SRNS relocation procedure

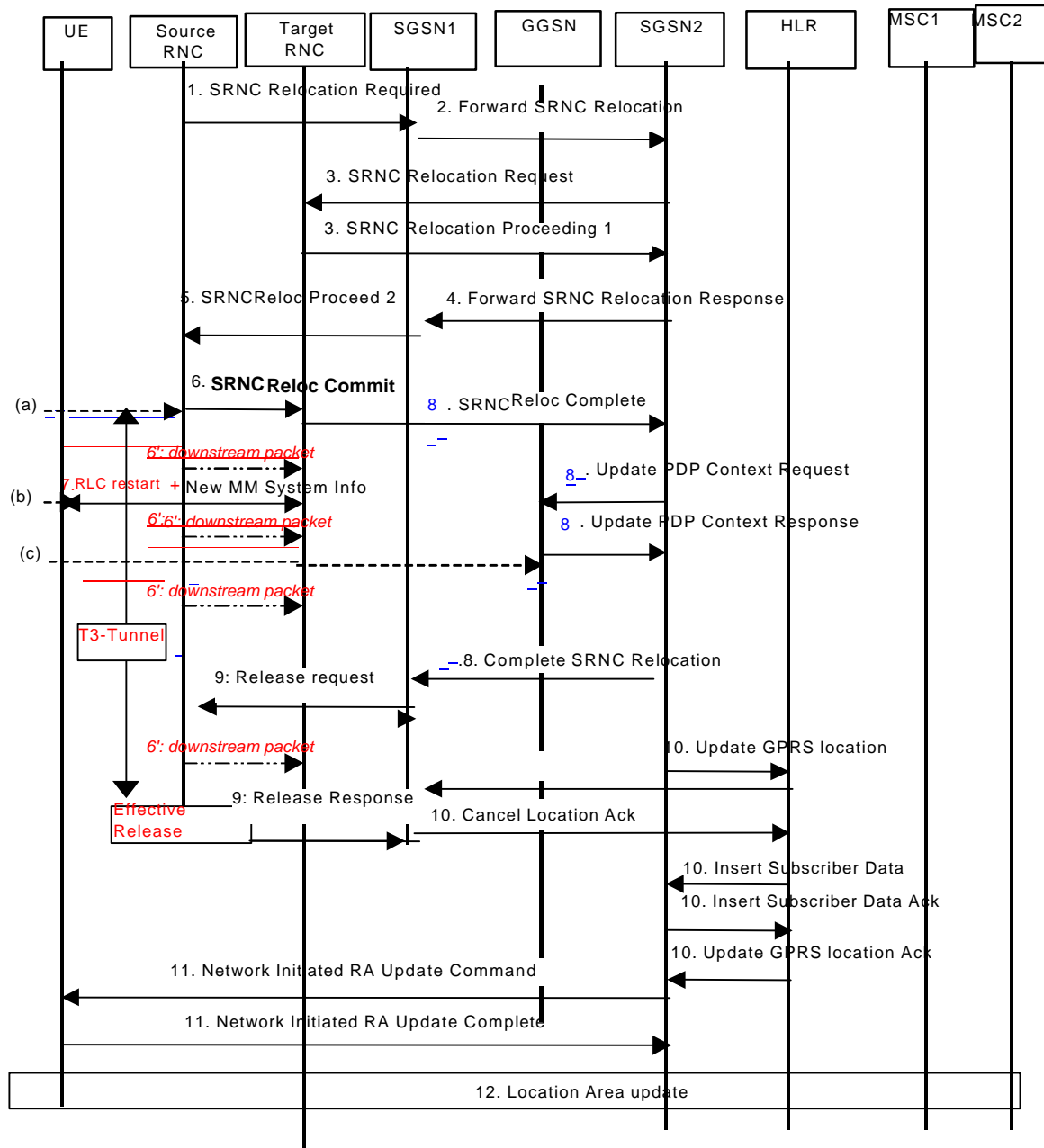


Figure 37 Interface information transfer for SRNS relocation update when changing SGSN area resulting in a change of registered location and followed by location registration in new Location Area.

"Resource reservation" Phase

During this phase, the transmission of packets between GGSN and UE through the source SRNC goes on.

- 1) UTRAN (source SRNC) makes the decision to perform the Serving RNC relocation procedure. This includes decision on into which RNC (Target RNC) the Serving RNC functionality is to be relocated. The source SRNC sends SRNC Relocation required messages to the SGSN1. This message includes parameters such as target RNC identifier and an information field that shall be passed transparently to the target RNC.
- 2) Upon reception of SRNC Relocation required message the SGSN1 determines from the received information that the SRNC relocation will (in this case) result in change of SGSN. The SGSN will then send a Forward SRNC relocation request to the applicable SGSN, SGSN2, including the information received from the Source SRNC and necessary information for the change of SGSN (e.g.

MM context, PDP context). The PDP context information contains the list of the PDP context (including PDP type, requested / negotiated QoS) currently established by the UE along with the address of the associated GGSN. It does not contain any information linked with packet transmission (sequence numbers) because such information is under the responsibility of the UTRAN

- 3) The SGSN2 sends a SRNC Relocation Request message to the target RNC. This message includes information for building up the SRNC context, transparently sent from Source SRNC (e.g. UE id., no of connected CN nodes, UE capability information), and directives for setting up Iu user plane transport bearers.
When the Iu user plane transport bearers have been established, and target RNC completed its preparation phase, SRNC Relocation Proceeding 1 message is sent to the SGSN2.
- 4) When the traffic resources between target RNC and SGSN2 has been allocated and the SGSN2 is ready for the SRNC move, then the Forward SRNC Relocation Response is sent from SGSN2 to SGSN1. This message indicates that necessary resources have been allocated for the SRNC relocation: SGSN2 / target RNC are ready to receive from source SRNC the downstream packets not yet acknowledged by UE. *The Forward SRNC Relocation Response message* contains the IP address(es) (possibly one address per PDP context) on which SGSN2 is willing to receive these packets.
- 5) When the Forward SRNC Relocation Response has been received in the SGSN1, the SGSN1 indicates the completion of preparation phase at the CN PS domain side for the SRNC relocation by sending the SRNC Relocation Proceeding 2 message to the Source RNC. . This message contains the IP address(es) (possibly one address per PDP context) on which to send the downstream packets not yet acknowledged by UE.

"Actual hand-over of Serving RNC" Phase

- 6) When the source RNC has received the SRNC Relocation Proceeding 2 message, the source RNC sends a SRNC Relocation Commit message to the target RNC(list of (SNU, UP_RLC_ack, SND)). SND is the GTP sequence number for the next downlink packet received from the GGSN. SNU is the GTP sequence number for the next uplink packet to be tunnelled to the GGSN. UP_RLC_Ack contains the acknowledgements for upstream PDU received by the source SRNC on each RLC connection used by the UE (i.e. the Receive State Variable V(R) for all RLC SAPI in acknowledged mode). The source SRNC starts a timer T3-TUNNEL , stops the exchange of the packets with the UE (point (a)), and starts tunnelling the buffered downstream packets towards the target SRNC. The target RNC executes switch for all bearers at the earliest suitable time instance.
- 7) The target RNC starts acting as SRNC. The target SRNC :
 - Restarts the RLC connections. This includes the exchange between the target SRNC and the UE of the UP_RLC_Ack and DOWN_RLC_ACK. DOWN_RLC_ACK confirms all mobile-terminated packets successfully transferred before the start of the relocation procedure. If DOWN_RLC_ACK confirms reception of packets that were forwarded from the source SRNC, then these packets shall be discarded by the target SRNC. UP_RLC Ack confirms all mobile-originated packets successfully transferred before the start of the relocation procedure. From now on the exchange of the packets with the UE can restart (point (b)).
 - Sends New MM System Information to the UE indicating e.g. relevant Routing Area and Location Area. Additional RRC information may then also be sent to the UE, e.g. new RNTI identity. This may trigger a location update procedure (see 12)
- 8) Immediately after a successful switch at RNC, target RNC (=SRNC) sends SRNC Relocation Complete message to the SGSN2. Upon reception of this message, the SGSN2 updates the GGSN(s) with a Update PDP Context Request including the new SGSN address. The GGSN(s) then update the PDP context and return Update PDP Context Response. The SGSN sends a Complete SRNC Relocation towards the SGSN1.
- 9) At reception of the Complete SRNC Relocation, SGSN1 will send a release indication towards the Source RNC. All resources allocated to this UE by the source RNC are released only when this message has been received and timer T3-TUNNEL has expired. Before timer T3-TUNNEL expires, all downstream packets received from the GGSN are sent towards the target SRNC..

- 10) The SGSN2 informs the HLR of the change of SGSN by sending Update GPRS location (IMSI, new SGSN address etc.) to the HLR. The HLR cancels the context in the old SGSN, SGSN1, by sending Cancel Location (IMSI). The SGSN1 removes the context and acknowledges with Cancel Location Ack. The HLR sends Insert subscriber data (IMSI, subscription data) to the SGSN2. The SGSN2 acknowledges with Insert Subscriber Data Ack. The HLR acknowledges the Update GPRS location by sending Update GPRS Location Ack to the SGSN2.
- 11) At reception of Insert subscriber data from HLR, the SGSN2 will initiate the update of MM information stored in the UE. This is done by sending Network Initiated Routing Area Update Command to the UE. This message will include new RAI, and possible also new P-TMSI. When the UE has made necessary updates it answers with Network Initiated Routing Area Update Complete.
- 12) When receiving new MM system information indicating a new Location Area, the UE will, in this case, initiate a Location Area update procedure towards the MSC2. This implies that the Location Area update will be performed in parallel to the above indicated activities related to the SGSN side of the Core Network.

It has to be noted that the sequence chart of Figure 19 may be further refined.

UE-GGSN Communication path during the SRNS relocation procedure

Before point (a), in Figure 37, the connection is established between UE and GGSN via Source SRNC and SGSN1.

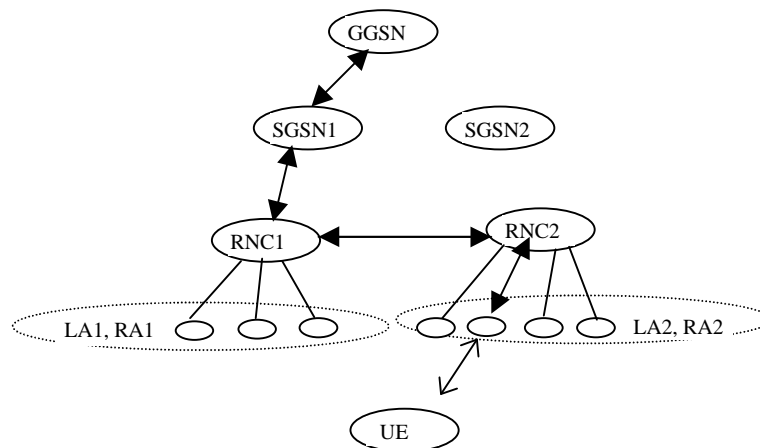


Figure 39 :Data paths before the SRNS relocation has been actually committed (before point (a) in Figure 37)

After transmission of the "SRNS relocation commit" to the target SRNC (after point (a) in figure 19), the source RNC cannot exchange data with the UE because its RLC should be frozen after the transmission of the RLC sequence numbers to the target RNC. Before the restart of the RLC between target SRNC and UE (before point (b) in Figure 19), data transfer cannot go on. All downstream packets received by the target SRNC during this phase are buffered until restart of the RLC between target SRNC and UE.

After point (c), in Figure 37, the connection is established between UE and GGSN via Target RNC and SGSN2.

Before resource release in source RNC (before T3-TUNNEL expiry), target SRNC may receive downstream packet from 2 paths. Packets remaining on the backbone are sent on the "old path" (via SGSN1 and RNC1) and forwarded by source RNC1 to target SRNC2 while packets received by the GGSN on its Gi interface are sent on the new path (via SGSN2) to target SRNC2.

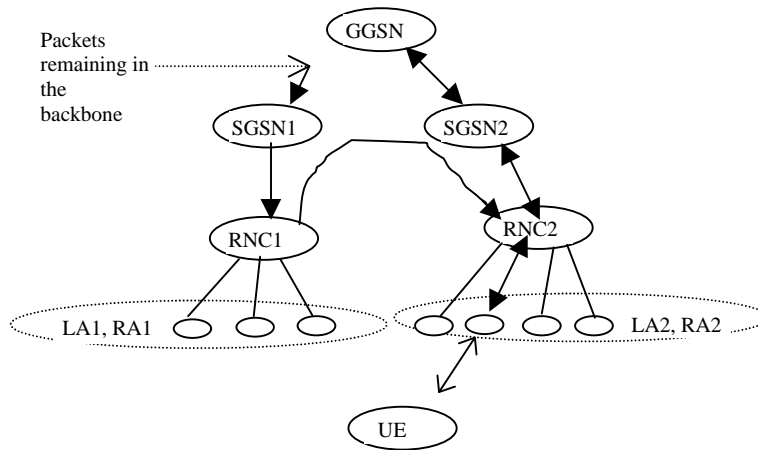


Figure 21: Data paths after the GGSN update (after point (c) in Figure 37)

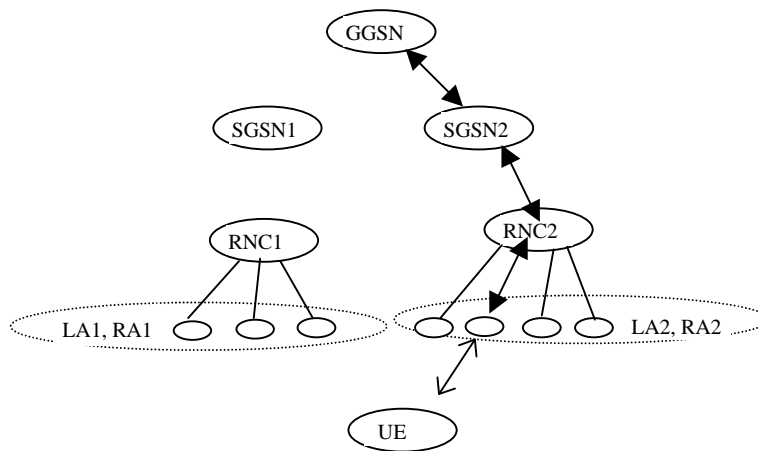


Figure 22: Data paths after the resource release in source RNC (after point (d) in Figure 37))

4.3.12.3 Comparison between UMTS and GSM

For the PSTN/ISDN domain, the proposed UMTS MM concept is in principle identical to the GSM MM.

For the IP domain, the differences between the proposed UMTS MM concept and the GSM GMM are more extensive, such as:

“Cell update” is moved from GMM level in GSM to RRC level in UMTS.

“Routing area update” in GSM GMM-standby state is moved from GMM level in GSM to RRC level in UMTS and

A new case when “Routing area update” is performed towards 3G_SGSN is introduced in the UMTS PS-IDLE state.

A UMTS PS-CONNECTED state is introduced and in this state the UE mobility towards the CN will be handled by UTRAN-CN procedures, i.e. not on MM level.

Figure 25 provides illustration of the above bullets.

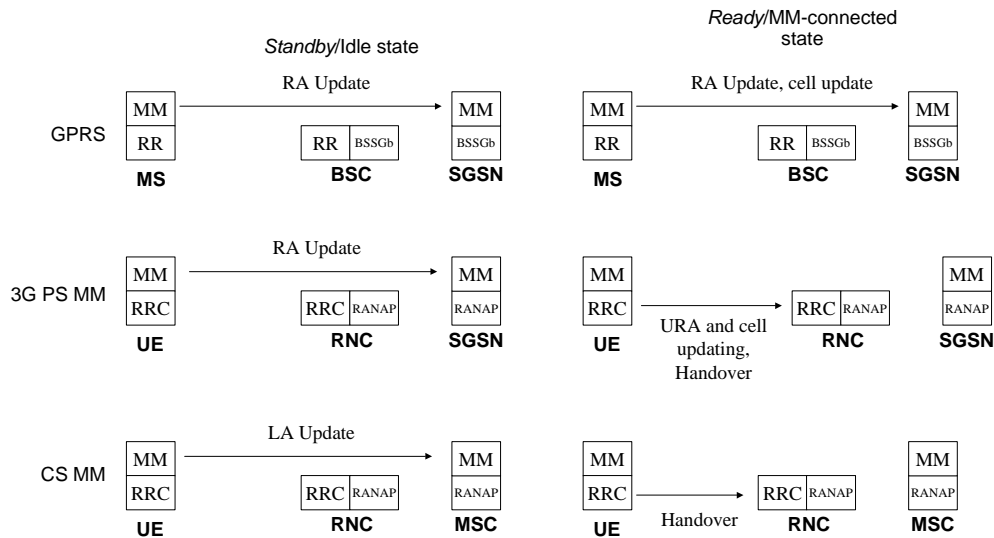


Figure 40 The states written in italics correspond to those defined in GSM with GPRS.

4.3.12.3.1 PS -idle state

The RA update procedure is utilised to update the whereabouts of the UE into SGSN. The updating into SGSN takes place irrespectively of the CS MM state in MSC.

4.3.12.3.2 PS -connected state

The URA and cell updating and handover procedures presented in Figure 25 are based on UMTS YY.03 [2]. In brief, the aim in [2] is to introduce functionality that caters for the same functionality as standby/ready in GPRS. The RRC shall be designed in such a fashion, which allows the state of the RRC connection to define the level of activity associated to a packet data connection. The key parameters of each state are the required activity and resources within the state and the required signalling prior to the packet transmission. The similar functionality in GPRS is offered via standby/ready at MM level.

The cell update and URA update between UE and RNC are used when the UE is in RRC common channel state, i.e., when the above mentioned parameters allow to scale down the resources reserved for the UE (for a more detailed description on this, see [2]). For example, the purpose of the cell update procedure is to allow the UE to inform its current location in the corresponding RRC state. According to [2] the cell update procedure replaces handover in the corresponding RRC substate.

To summarise, the RRC procedures proposed by [2] allow the CN MM to be independent of the actual activity. This is a significant deviation from GPRS MM, which is closely related to the activity in terms of implementing standby and ready functionality at MM level. Another significant deviation from GPRS is the introduction of the handover procedures for connections supporting traffic into IP domain (in RRC cell connected state, see [2]).

4.3.12.4 Issues for further study

List of issues that are for further study related to this chapter and is the following:

More details are required with regards to the differences with regards to the “IP-domain” MM compared to GPRS MM, especially considering roaming and handover to/from UMTS to GSM/GPRS.

More details should be provided with regards to the logical relations between UE-CN and UTRAN-CN, and how these relate to the physical interconnection between UTRAN and the CN nodes(s), namely whether one logical/physical Iu can be used to interconnect the UTRAN with the CN.

It should be clarified whether this approach allows for the possibility to use a common signalling connection from MSC and/or SGSN to the HLR.

4.3.13 Combined update towards the HLR for a combined 3G-(MSC/VLR+SGSN) configuration

4.3.13.1 Motivation

In order to optimise the signalling load within the network, reduce operating and maintenance costs and creating the possibility to combine cs and ps handover it is essential to open the door in the specifications for combined 3G-(MSC/VLR+SGSN) solutions.

4.3.13.2 Technical description

For the area concept discussed for the time being, four different cases have to be distinguished:

change of UTRAN Registration Area (URA) within the same Routing Area (RA)

change of URA and RA within the same Location Area (LA)

change of URA, RA, or LA within the same node

change of URA, RA, or LA, and node

For a combined 3G-(MSC/VLR+SGSN) node only in case 4 the UE's HLR has to be updated. If the UE is idle mode for the packet and circuit switched traffic a combined 3G-(MSC/VLR+SGSN) node will run the location update procedure jointly for the UE's cs and ps domain resulting in one combined location update message, see Figure 3.

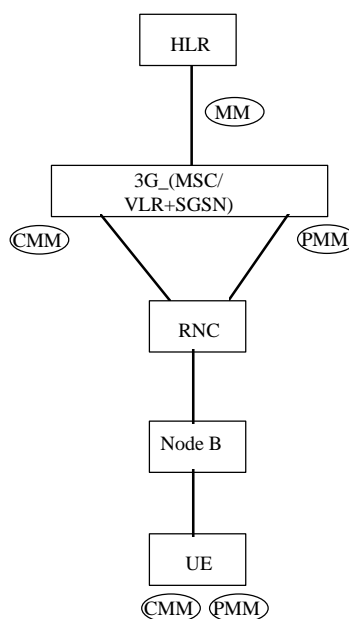


Figure 41 Combined MM Instance For a Combined 3G-(MSC/VLR+SGSN) Node

Split nodes may have to run one specific location update procedure for any of the two domains resulting in two separate location update messages, see Figure 4.

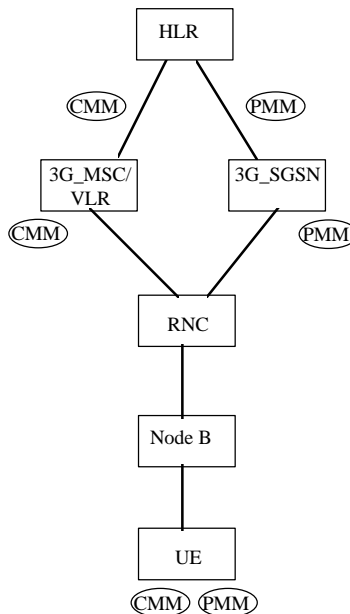


Figure 42 Split MM Instances for Separate Nodes

4.3.13.3 Requirements on UTRAN

The provision of location information by the UE to the core network must be independently of whether the 3G-MSC/VLR and 3G-SGSN are implemented as separate entities or as a combined node. It shall be possible to use a combined update procedure between serving node and HLR irrespective of the update procedure used between the UE and the serving node.

4.3.13.4 List of MAP services for location management between the HLR and MSC-VLR/SGSN for GSM/GPRS

Table 1 shows the MAP services used for location management between the SGSN and MSC/VLR and the HLR as defined in GSM/GPRS release 98.

MAP service	Comment
MAP_UPDATE_LOCATION service	Updates VLR and MSC number in the HLR
MAP_UPDATE_GPRS_LOCATION service	Updates SGSN number and address in the HLR
MAP-INSERT-SUBSCRIBER-DATA service	Inserts subscriber data for GSM or GPRS
MAP_SEND_AUTHENTICATION_INFO service	To send authentication triplets to VLR or SGSN
MAP_CANCEL_LOCATION service	Cancels location in VLR or SGSN
MAP_PURGE_MS service	Marks user as unreachable in HLR. Common service for both GSM and GPRS

Table 1: List of Location management services between the HLR and MSC/VLR and SGSN

From the above table, it is clear that only minor modifications are required to MAP services between the MSC/VLR and SGSN and the HLR. A new service combining the MAP_UPDATE_LOCATION and MAP_UPDATE_GPRS_LOCATION services will need to be defined. All other services are common for both GSM and GPRS and can be used with minor modifications in the “conditional” parameter list.

4.3.13.5 Signalling procedures for combined update towards HLR

4.3.13.6 Combined attach case where the previous attach was towards 2 CN elements

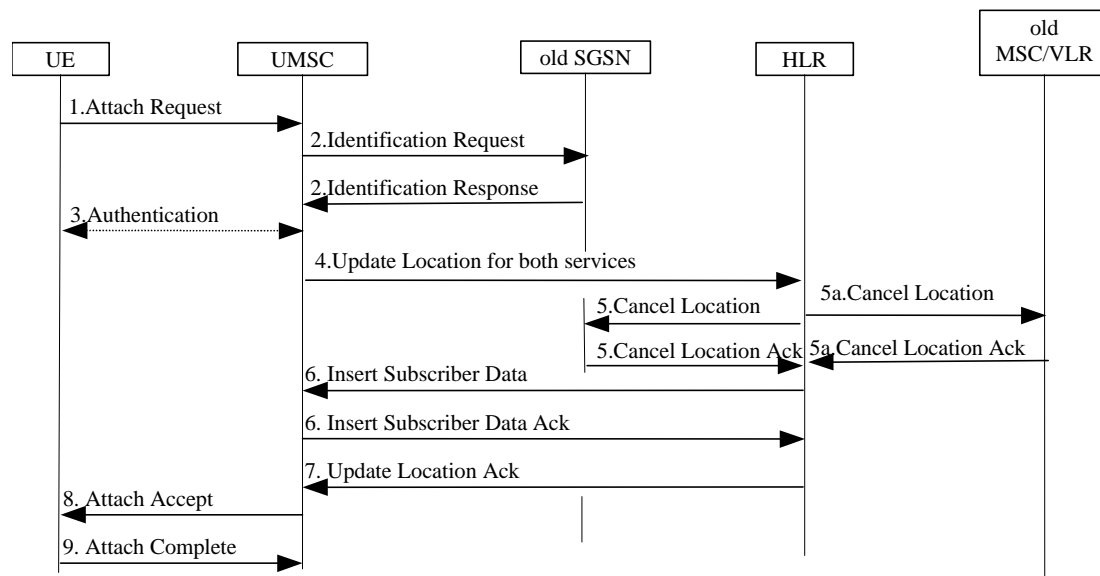


Figure 43 Combined attach procedure when the Ms moves from 2 CN element to a UMSC

- 1) The UE initiates the attach procedure by the transmission of an Attach Request (IMSI or P-TMSI and old RAI, Attach Type, old P-TMSI Signature) message to the UMSC. Attach Type indicates which type of attach that is to be performed, i.e., PS attach only, CS attach only, or combined attach (the example given is for combined attach).
- 2) If the UE identifies itself with P-TMSI and the 3G-SGSN/UMSC has changed since detach, the new UMSC sends an Identification Request (P-TMSI, old RAI, old P-TMSI Signature) to the old SGSN to request the IMSI. The old SGSN responds with Identification Response (IMSI, Authentication Triplets). If the UE is not known in the old SGSN, the old SGSN responds with an appropriate error cause. The old SGSN also validates the old P-TMSI Signature and responds with an appropriate error cause if it does not match the value stored in the old SGSN.
- 3) The authentication functions are optional and may be used for example if P-TMSI signature authentication was not successful. If the UMSC number has changed since the detach, or if it is the very first attach, routing/location area update procedures are executed:
- 4) The UMSC sends a Combined Update Location (UMSC Number, UMSC Address, IMSI) to the HLR.
- 5) The HLR sends Cancel Location (IMSI, Cancellation Type) to the old SGSN and MSC. The old SGSN and MSC acknowledges with Cancel Location Ack (IMSI).
- 6) The HLR sends Insert Subscriber Data (IMSI, PS and CS subscription data) to the new UMSC. The new UMSC validates the UE's presence in the (new) RA. If all checks are successful then the UMSC constructs an MM context for the UE and returns an Insert Subscriber Data Ack (IMSI) message to the HLR.
- 7) The HLR acknowledges the Update Location message by sending an Update Location Ack to the UMSC. If the Update Location is rejected by the HLR, the UMSC rejects the Attach Request from the UE with an appropriate cause.

8) The UMSC sends an Attach Accept (P-TMSI, TMSI, P-TMSI Signature) to the UE.

9) If P-TMSI or TMSI was changed, the UE acknowledges the received TMSI(s) with Attach Complete (P-TMSI, TMSI).

If the Attach Request cannot be accepted, the UMSC returns an Attach Reject (IMSI, Cause) message to the UE.

4.3.13.7 Combined location/routing area update where the previous LA/RA belonged to a 2 CN element

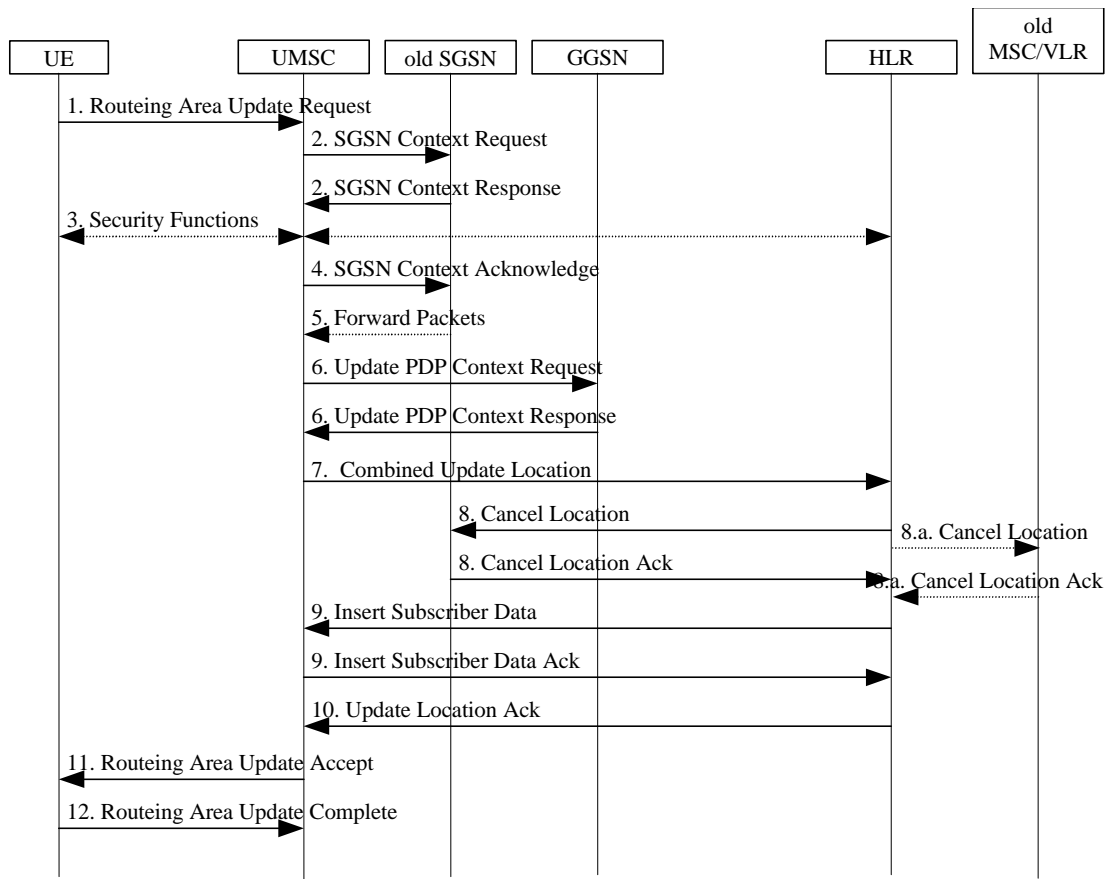


Figure 44 Combined LA/RA update when the MS moves from 2 CN element to UMSC

The UE sends a Routing Area Update Request (old RAI, old P-TMSI Signature, Update Type) to the new UMSC. Update Type example given here is for combined RA / LA update.

The new UMSC sends SGSN Context Request (old RAI, P-TMSI, old P-TMSI Signature, New UMSC Address) to the old SGSN to get the MM and PDP contexts for the UE. The old SGSN validates the old P-TMSI Signature and responds with an appropriate error cause if it does not match the value stored in the old SGSN. This should initiate the security functions in the new UMSC.

Security functions may be executed. These procedures are defined in subclause "Security Function".

If the user has at least one activated PDP context, then the new UMSC shall send an SGSN Context Acknowledge message to the old SGSN. This informs the old SGSN that the new UMSC is ready to receive data packets belonging to the activated PDP contexts.

The old SGSN starts tunnelling of buffered N-PDUs to the new UMSC. However, the possibility of this happening is remote since the UE is in MM-idle indicating that it was not in active communication.

The new UMSC sends Update PDP Context Request to the GGSNs concerned. The GGSNs update their PDP context fields and return an Update PDP Context Response (TID).

The new UMSC informs the HLR of the change of SGSN/MSC by sending Combined Update Location (UMSC Number, UMSC Address, IMSI) to the HLR.

The HLR sends Cancel Location (IMSI, Cancellation Type) to the old SGSN and MSC. The old SGSN acknowledges with Cancel Location Ack (IMSI).

The HLR sends Insert Subscriber Data (IMSI, PS and CS subscription data) to the new UMSC. The new UMSC validates the UE's presence in the (new) RA. If due to regional subscription the UE is rejected, the UMSC rejects the Attach Request with an appropriate cause and returns an Insert Subscriber Data Ack (IMSI, UMSC Area Restricted Due To Regional Subscription) message to the HLR. If all checks are successful then the UMSC constructs an MM context for the UE and returns an Insert Subscriber Data Ack (IMSI) message to the HLR.

The HLR acknowledges the Update Location by sending Update Location Ack (IMSI) to the new UMSC.

The new UMSC validates the UE's presence in the new RA. If due to regional, national or international restrictions the UE is not allowed to attach in the RA or subscription checking fails, then the UMSC rejects the routing area update with an appropriate cause. If all checks are successful then the new UMSC establishes MM and PDP contexts for the UE. The new UMSC responds to the UE with Routing Area Update Accept (P-TMSI, TMSI, P-TMSI Signature).

The UE confirms the reallocation of the TMSIs by sending Routing Area Update Complete to the UMSC.

4.4 UMTS call control

4.4.1 Technical Requirements

The following technical requirements are applied to support multimedia in GSM/UMTS.

- P1) GSM/UMTS shall enable the provisioning of multimedia services and with multivendor interworking between UE and network.
- P2) Basic voice and PDP-context establishment shall be based on GSM CC/SM respectively.
- P3) Handover and roaming to and from GSM shall be supported provided GSM is capable of supporting the ongoing media service.
- P4) Ideas, concepts and procedures developed by other fora e.g. other standards bodies such as ITU, IETF etc. shall be included or referenced in the GSM/UMTS CC/SM when found suitable.
- P5) For multimedia services a multimedia CC/SM protocol could be run transparently via a PDP-context or a circuit-switched connection established using GSM SM/CC which would allow transparent handover and roaming between GSM and UMTS provided that GSM supports the QoS requirements.

Figure 45 illustrates the realisation of the multimedia service based on P5). 'Multimedia Protocol' indicates the functionality either inside the communicating user's terminal or a gateway (e.g. H.323 Gateway)/GK.. It is essentially a control function both for user plane and control plane for the multimedia communication.

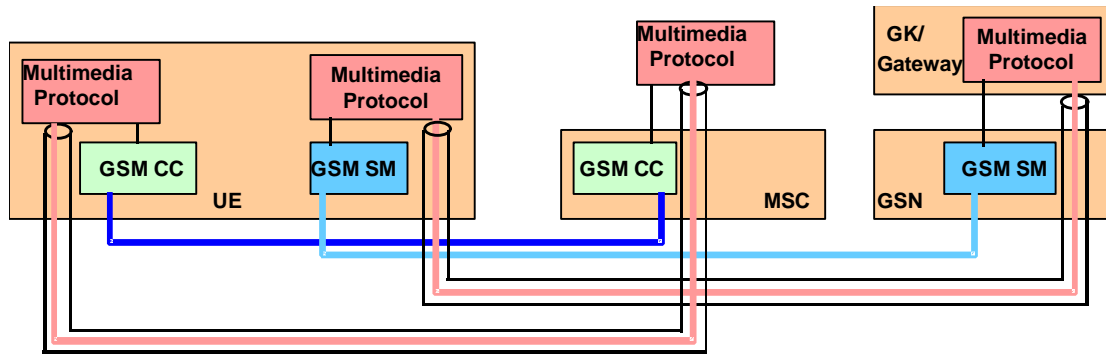


Figure 45: Support of multimedia making use of GSM SM/CC

Based on the requirements listed above, GSM CC/SM represented by GSM 04.08 forms a solid foundation for UMTS CC/SM for Release 99. UMTS CC/SM for Release 99 is to be developed from GSM CC/SM by introducing some well defined enhancements.

Existing (and future) multimedia protocols can be supported by the UMTS CC/SM as application layer protocols, with no (or in some instances only minor) impact to UMTS CC/SM.

4.4.2 Typical Scenarios for Multimedia Control and User Plane

Two typical call scenarios to support multimedia services, H.324 and H.323, respectively, are presented as examples. As an assumption, the calls are between the peer multimedia terminals over an IMT-2000 network. As shown in the following sections, the multimedia signalling protocol and data transmission for both call scenarios can be performed end-to-end on the IMT-2000 user plane and is thereby transparent to the IMT-2000 Core Network. The IMT-2000 operators still control the multimedia service towards the end-user by providing the service via a service node (gateway, gatekeeper or application server) inside its own domain. Some other call scenarios e.g. IMT-2000 to ISDN/PSTN and/or IMT-2000 to the IP network can also be illustrated in a similar fashion.

4.4.2.1 H.324M to H.324M Call

In Figure Y, the H.324M IMT-2000 terminal initiates the call set-up procedure by sending a 04.08 SET-UP message to the originating MSC/VLR.

After the received 04.08 SETUP message, the originating MSC/VLR sends an ISUP Initial Address Message (IAM) to the terminating MSC/VLR. The terminating MSC/VLR performs a 04.08 SETUP procedure towards the H.324M UMTS terminal. The communication link is now established between the two H.324M endpoints.

The logical channels can now be established using the H.245 open logical channel procedure.

No gateway is needed in this case. This case is simple to support and requires little standardization.

The 04.08 Bearer Capability is used to indicate 64 kbits/s bit transparent case described in GSM 07.01 can be used, as well as H.223/H.245.

The 04.08 LLC is used to indicate H.223/H.245. This makes the called IMT-2000 mobile terminal activate its H.324M application when receiving the SETUP (LLC:H.223/H.245).

Information Transfer Capability	Unrestricted Digital Information
Sync/Async	Synchronous
Connection Element	Transparent
Fixed Network User Rate	64 kbit/s

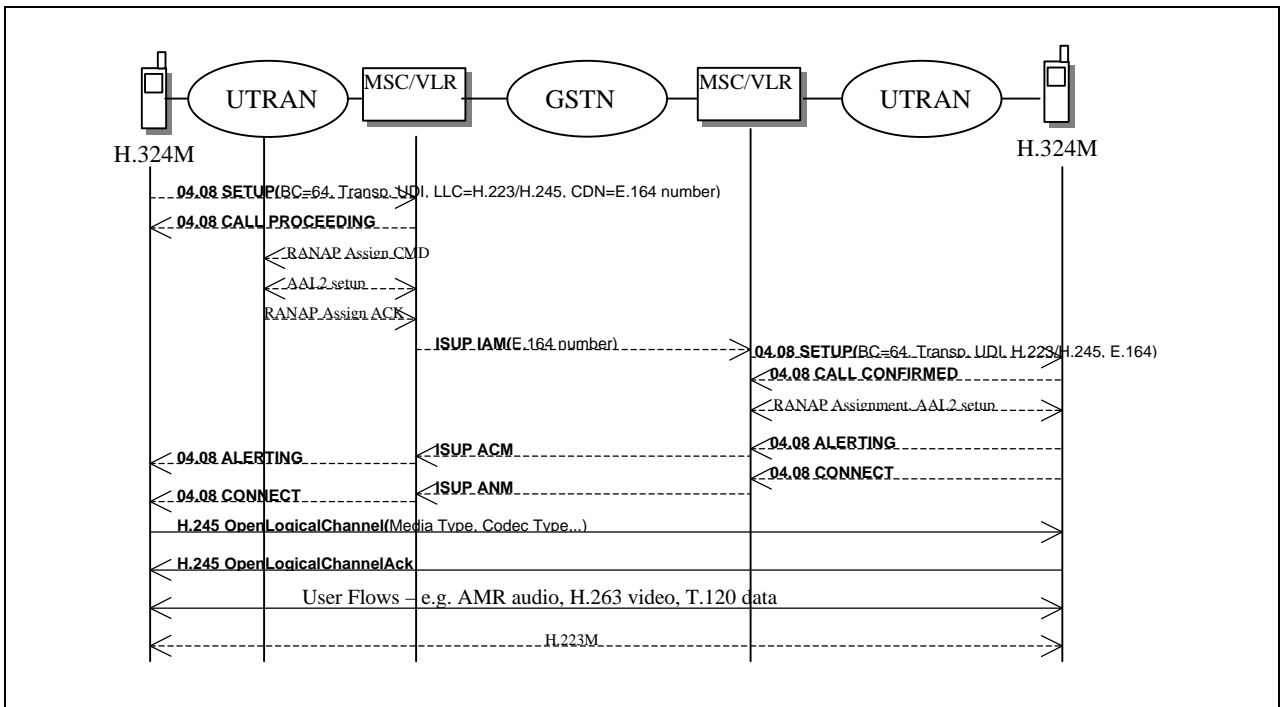


Figure 47: UMTS H.324M – UMTS H.324M call example

4.4.2.2 IMT-2000 H.323 to H.323 call

Figure Z shows a Multimedia Call between two H.323 terminals within an IMT-2000 operator domain. It is assumed that a PDP Context using a Best Effort (BE) Radio Access Bearer (RAB) from terminal A towards the Gatekeeper (GK) and one from terminal B towards GK have already been established for H.323 registration in this figure. Terminal A and B now performs Gatekeeper Identification and Gatekeeper Registration using a BE RAB. Thereafter, the terminal A sets up a Real Time (RT) Radio Access Bearer (RAB) to decrease the time for the H.323 control signalling. This need of a Real Time Radio Access Bearer can be indicated from the terminal application to the mobile terminal through the Application Programming Interface (API). The terminal A performs PDP Context activation (see Figure Z) to set up the Real Time Radio Access Bearer. From now on, the established Real Time Radio Access Bearer can be used for H.225.0 RAS control signalling and Q.931 control signalling. After the Real Time Radio Access Bearer is established, the H.323 terminal A performs an Admission Request (ARQ) towards the Gatekeeper. If the terminal A is admitted the Gatekeeper answers with AdmissionConfirm (ACF) otherwise AdmissionReject (ARJ). Terminal A initiates the H.323 connection by sending a Q.931 Setup message to the Gatekeeper when the ACF has been received. The Gatekeeper answers with a Q.931 Call Proceeding to terminal A and sends a Q.931 Setup message to terminal B on a Best Effort (BE) Radio Access Bearer (RAB). Terminal B performs PDP Context Activation to SGSN and GGSN to set up a Real Time Radio Access Bearer and performs an Admission Request towards the Gatekeeper on this Real Time Radio Access Bearer. After this terminal B answers the received Q.931 Setup message with a Q.931 Alert and Connect message to the Gatekeeper on receipt of the Admission ConFirm (ACF) message. The Gatekeeper forwards these two messages to the terminal A. The Real Time Protocol (RTP) is now established between the terminal A and B for transmission of audio, video or data streams (see Figure Z). The Gatekeeper relays the data streams but is not always completely transparent. The Gatekeeper can perform interworking functions e.g. Network Address Translation (NAT) etc between different networks. The voice transcoding is performed end-to-end in the H.323 terminal.

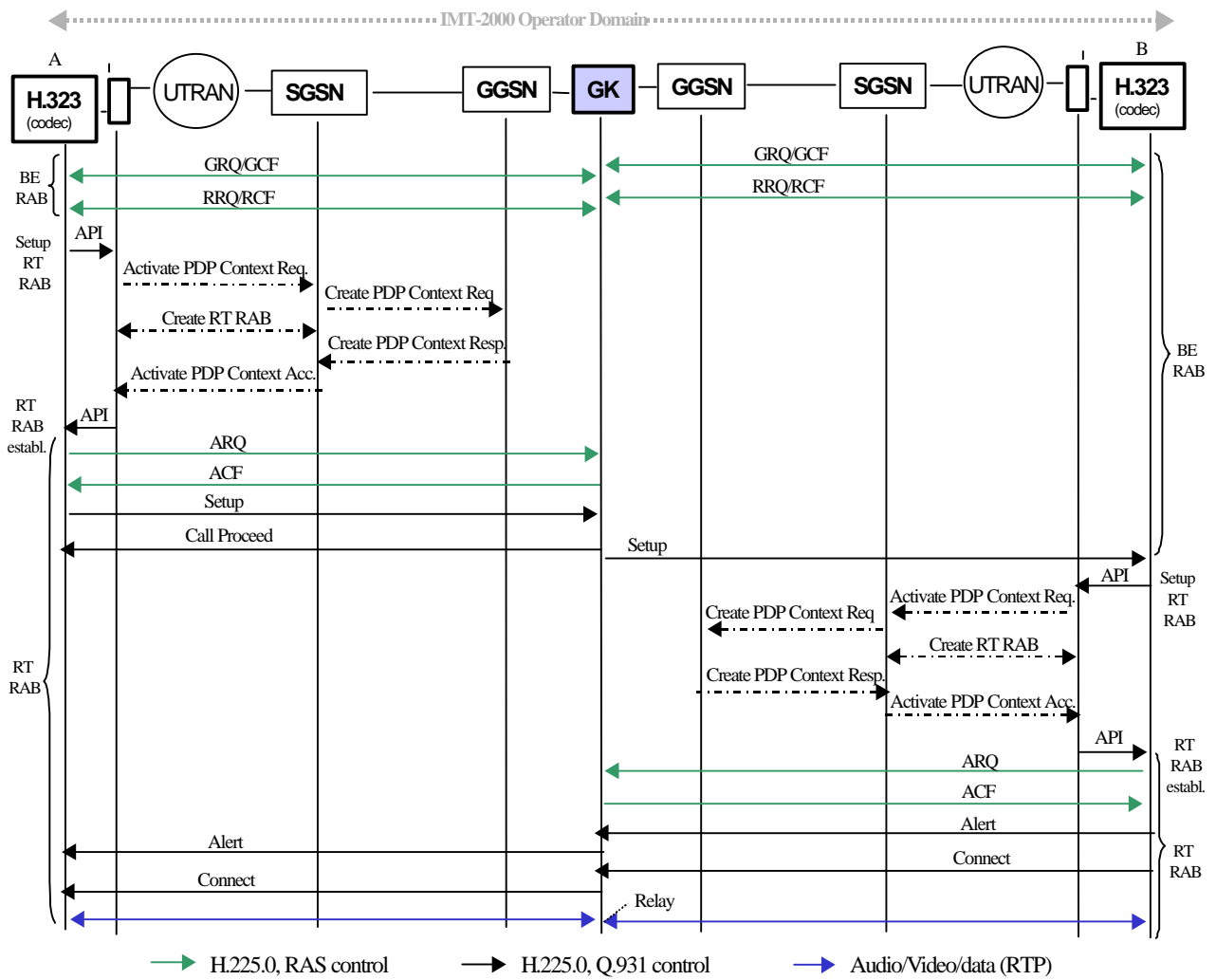
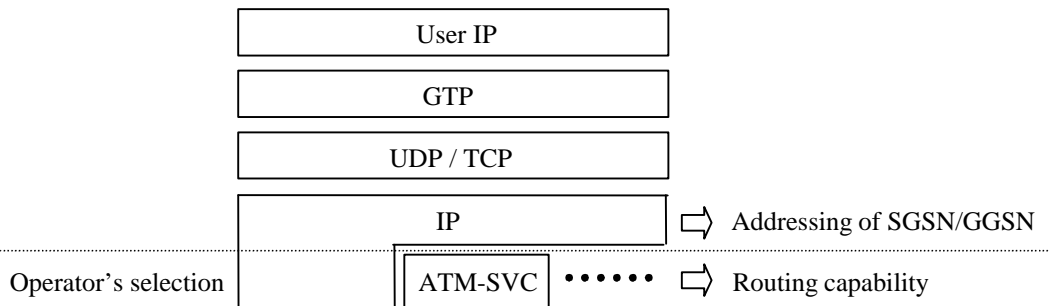


Figure 48: IMT-2000 H.323 – H.323 call example

4.5 Core network layer 3

In UMTS/GPRS, it should be possible for operators to use different packet switching protocol (e.g. ATM-SVC) under single GTP standard.

Between GSNs GTP uses UDP/IP (or TCP/IP) for addressing regardless whether IP routing or ATM-SVC switching is used. The use of ATM-SVC will not impact on GTP standardisation. “



4.6 Structure of radio interface layer 3

The signalling plane consists of protocols for control and support of the transmission plane functions. The following signalling planes are used in UMTS between UE and 3G-SGSN.

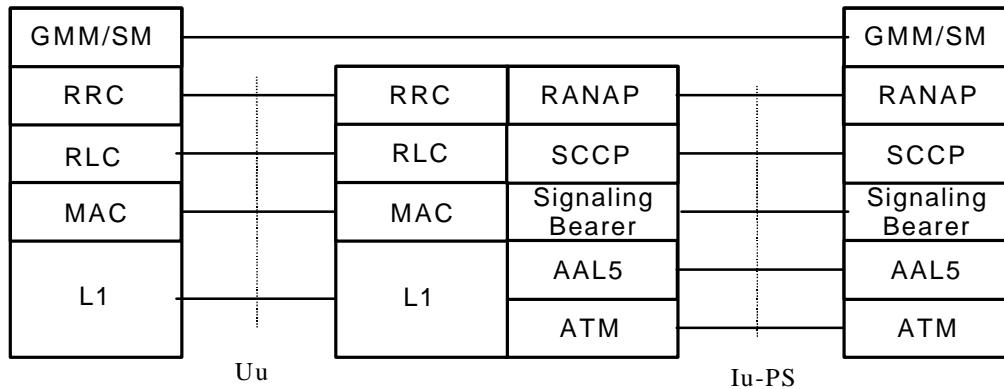


Figure 49: Protocol Architecture for radio interface layer 3 towards the PS service domain

UMTS PS service domain Mobility Management and Session Management (GMM/SM): This protocol supports mobility management functionality such as PS attach, PS detach, security, routing area update, location update, PDP context activation, and PDP context deactivation.

4.7 Alternate Access technologies to UTRAN

BRAN Access

The evolved GPRS network should allow for various radio access networks. As stated in [UMTS 23.101], a modular approach in UMTS evolution is recommended. This is also in line with the recommendation from GMM. Thus, the infrastructure domain, which encompasses the core network domain and the access network domain, allows for different access techniques/networks to be used. This scenario focuses on EP BRAN HIPERLAN 2 as a complement to GSM BSS and UTRAN in order to provide broadband data services in hot spot environments.

ETSI Project BRAN (Broadband Radio Access Networks) is developing specifications for broadband wireless access systems that support data rates around 25 Mbit/s for several applications. The primary focus for HIPERLAN 2 is to provide short range wireless broadband access with controlled quality of service for use within buildings and on-campus using unlicensed radio spectrum in the 5 GHz band. HIPERLAN 2 shall provide a range of 30-50 m in a typical indoor environment and up to 150-200 m in a typical outdoor environment.

The HIPERLAN 2 specifications are expected to be finalised during 2000, hence it will be possible to introduce BRAN access in UMTS phase 1.

4.7.1 Advantages of attaching HIPERLAN 2 to UMTS

Provide UMTS with a complementary access technology for broadband data services for indoor and hot spots environments

UMTS mobility infrastructure enables roaming also for HIPERLAN 2 terminals

Easier multi-mode UMTS/HIPERLAN 2 service integration, enables e.g. network support for a one number service and the use of a common service platform

UMTS subscriber management may be reused for HIPERLAN 2

Enables the reuse of investments in core network technologies.

4.7.2 HIPERLAN 2 UMTS Interworking

UMTS will incorporate a new generic radio access network, the UMTS Radio Access Network (URAN). The URAN may include several different realisations, of which the UTRAN (UMTS Terrestrial Radio Access Network) is one. The Iu reference point forms the boundary between URAN and the UMTS core network. By connecting HIPERLAN 2 to the Iu interface, HIPERLAN 2 will form a complimentary realisation of the URAN concept for broadband data services. UMTS interworking will provide HIPERLAN 2 with roaming support using the UMTS mobility infrastructure.

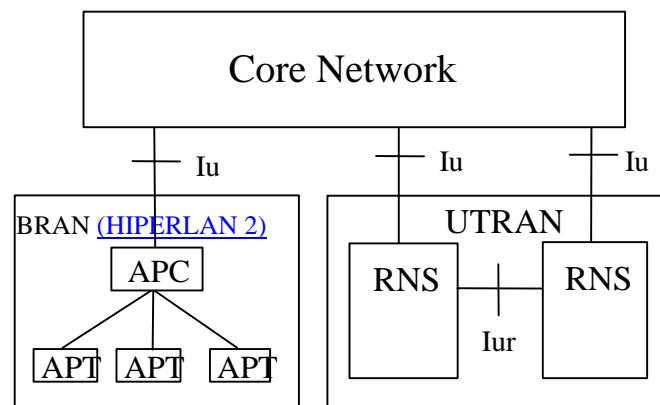


Figure 50: HIPERLAN 2 UMTS interworking.

A HIPERLAN 2 realisation of URAN should provide the same logical interface to the higher layers (i.e. layers belonging to the non-access stratum) as UTRAN. Hence, no changes in higher layers should be required. UMTS authentication, security and location management can be used over HIPERLAN 2. UMTS bearer setup requests should be mapped to the corresponding HIPERLAN 2 DLC connection. A USIM (User Service Identity Module) may be needed in a BRAN terminal supporting UMTS interworking. Handovers within a HIPERLAN 2 subsystem should be invisible to the core network. Handovers between UTRAN and HIPERLAN 2, in case of dual mode terminals, should be supported via the core network.

4.7.3 Related Actions

The same protocols over the Iu interface should be used for both UTRAN and HIPERLAN 2. However, some impact of connecting a broadband access network, capable of bit rates in the order of 100 Mbit/s, can be expected. Therefore the Iu must be flexible and future proof. Guidance and co-operation with EP BRAN on these matters should be sought.

4.8 Location of the IP compression function in UMTS

4.8.1 Functional role of SNDSCP / L3CE

Out of the functions devoted to SNDSCP in 2G network, only header compression and XID negotiation functions need to be considered in UMTS. Hence the term L3CE is introduced.



Figure 51: Compression Entity Functionality for UMTS

4.8.2 Position for header compression

RNC position for header compression is the best place because:

differential header compression algorithms work better if they are located in the place where packets are more likely to be discarded (after having discarded packets the compression algorithm can send a packet with full header²). This place is the RNC (where the queues for downstream packets waiting for radio resources are located).

The compression entity is as close as possible to the reliable link (as in 2G) which in this case is the RLC. Therefore it can be stated that a faster recovery of packets is possible after loss of packets in the radio interface and this solution will therefore minimize the amount of buffering in the UE and network.

the compression can be optimized for the used RAN.

It increases the possible data rates that can be achieved: Locating the compression function in the RAN defers the SGSN from the task of opening and processing packets

efficient inter-system hand-over can be supported

4.8.3 Implied protocol stack

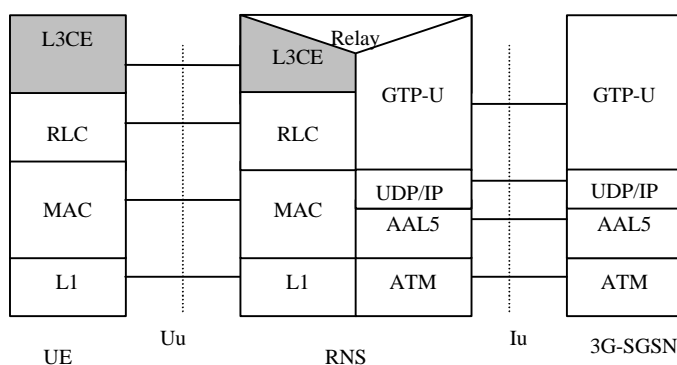


Figure 52: User Plane Protocol Architecture with header compression mechanisms

4.9 Short Message Service for UMTS

UMTS will continuously support Short Message Service which already exists for GSM/GPRS system.

4.9.1 Protocols and architecture

When assuming that there is no LLC for the PS Domain Layer2 protocol, there is a need to reconsider the functionality which had been done at LLC in GPRS. There are two alternative described below.

- Use U-plane as the alternative of LLC functionality.
- Use C-plane as the alternative of LLC functionality.

It is too much to establish U-plane connection to transfer small amount of data when focusing on the resource of the entire system.

If C-plane was used for data transfer, it can save resource compared with establishing U-plane connection (by using common channel, efficient use of radio resource is possible). It also possess the advantage of making it possible to use same SMS transfer procedure for CS domain and PS domain. Therefore, it comes to a conclusion that the C-plane should be used for SMS transfer in UMTS system.

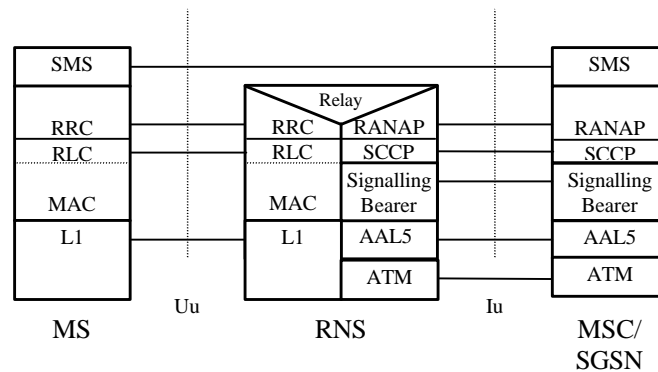


Figure 53 : Protocol architecture for 3G SMS for both a CS service domain and a PS service domain

4.10 Mobile IP for UMTS/GPRS End Users, revised version

4.10.1 Mobile IP for UMTS/GPRS End Users

A single generic mobility handling mechanism that allows roaming between all types of access networks would allow the user to conveniently move between fixed and mobile networks, between public and private as well as between PLMN's with different access technologies. The ongoing work in IETF Mobile IP working group [MIP WG] is targeted towards such a mechanism³ and a set of standards are planned to be finalized during 1999. Thus, it is important to offer Mobile IP also to UMTS and GPRS users to allow them to roam to and from other access technologies while keeping ongoing data sessions, e.g. TCP or UDP. A typical UMTS network supporting Mobile IP is shown in Figure 2.

³ Note that in this text, Mobile IP is used in a wide sense. It refers to [RFC2002] and the RFC's planned to be finalized this year.

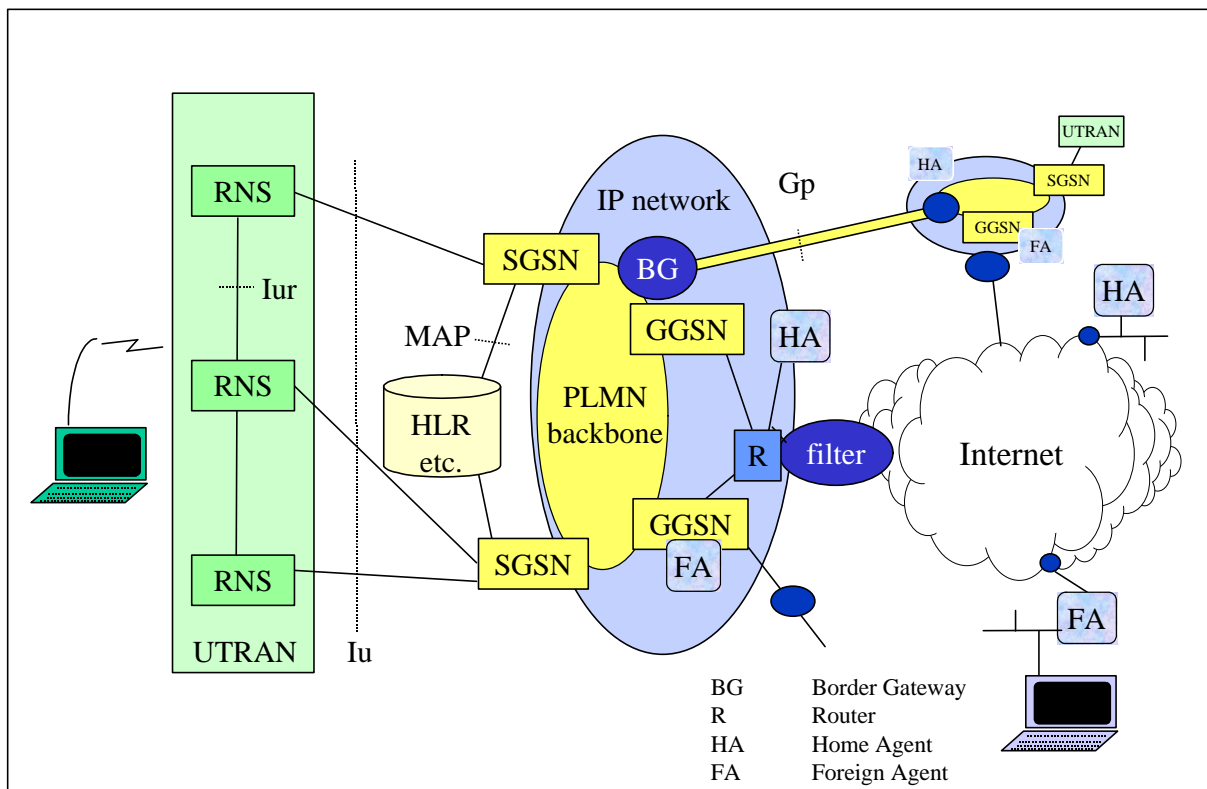


Figure 2. Core network architecture with GPRS MM within the PLMN's and Mobile IP MM between different types of systems.

As IP addresses in IPv4 are scarce, it has to be assumed that Mobile IPv4 preferably will be used with the Foreign Agent (FA) care-of addresses [RFC2002]. Compared to using co-located care-of addresses, FA care-of addresses does not only conserve IP addresses, it is also more efficient over the radio interface. We assume here that the MS keeps the same care-of address as long as the PDP context is activated, i.e. does not change GGSN/FA during a UMTS/GPRS session. It is further assumed that PDP type "IP" is used. It is, however, likely that PDP type "PPP" also could be used. Roaming between PLMN's can be realized with GPRS roaming or Mobile IP.

To offer Mobile IP with FA care-of addresses over the UMTS/GPRS network, some requirements need to be fulfilled. Some of these will cause changes to the current GPRS standards.

A signaling scheme, shown in figure 3, is described below. The PPP setup and the UMTS/GPRS attach procedures have been omitted for clarity.

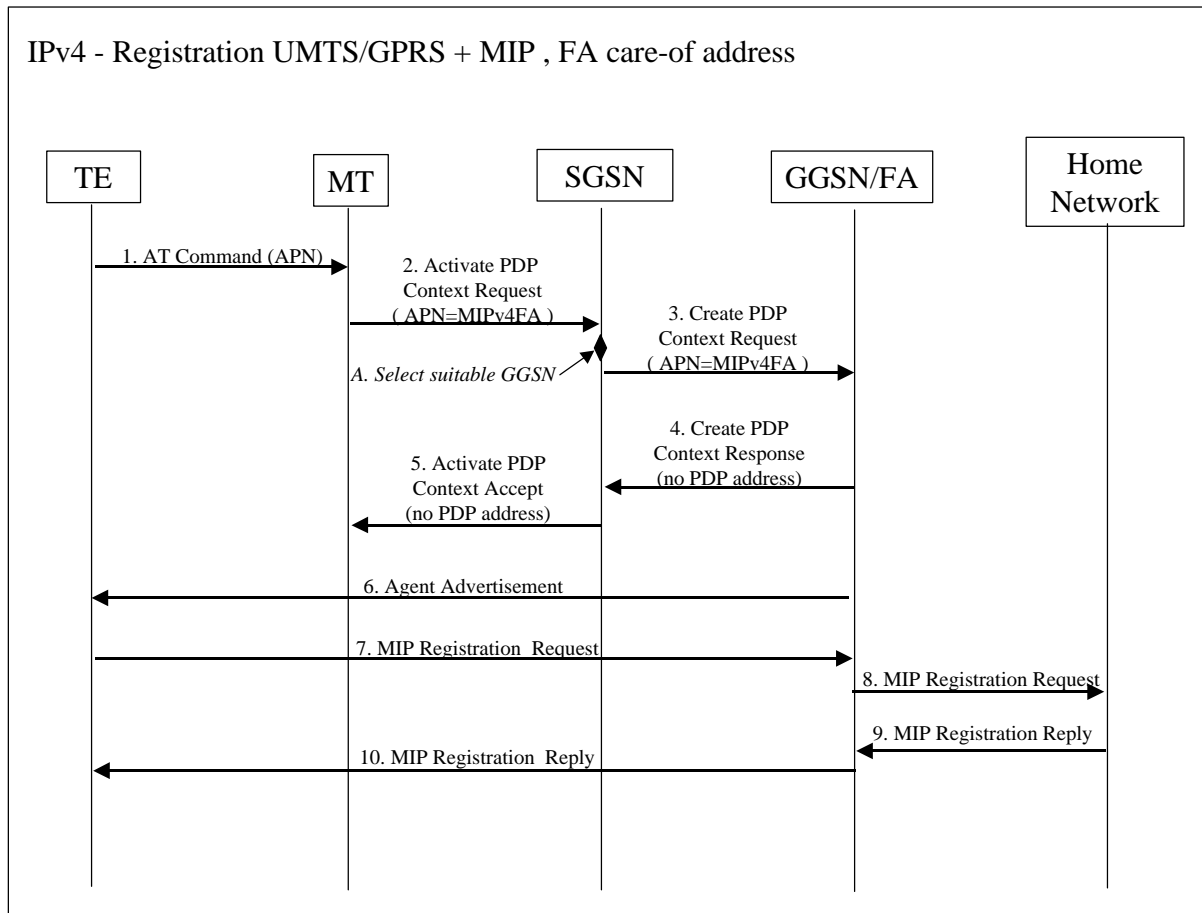


Figure 3. PDP Context activation with Mobile IP registration (the PPP setup and UMTS/GPRS attach procedures not included)

1. The AT command carries parameters that the MT needs to request the PDP Context Activation. The important parameter here, is the APN (Access Point Name), see section A below. The AT command is followed by a setup of the PPP connection between the MT and the TE, which are not included in the figure.
2. The MT sends the “Activate PDP Context Request” to the SGSN. The message includes various parameters of which the “APN” (Access Point Name) and the “Requested PDP Address” are of interest here. The APN, which is discussed in detail below, points at a requested GGSN. The “Requested PDP Address” should be omitted for all MS’s using Mobile IP. This is done irrespective of if the MT has a permanently assigned Mobile IP address from its Mobile IP home network, a previously assigned dynamic home address from its Mobile IP home network or if it wishes the Mobile IP home network to allocate a “new” dynamic home address.
 - A. The SGSN will base the choice of GGSN is based on the APN that is given by the MS.

The APN consists of two parts: the Network ID and the Operator ID. If no APN is given and PDP type is “IP”, the SGSN chooses a suitable GGSN according to operator’s configuration of the SGSN. Similarly, a Network ID of the format vvv (one label, no dots) can be used to specify any GGSN with a specific service (vvv), e.g. Internet access, gateway for voice over IP, Mobile IP FA. If the SGSN is not configured to identify the requested service it may try with a DNS interrogation for vvv.current-operator.current-country.gprs or, if that is not successful, with vvv.home-operator.home-country.gprs, where the home parameters are taken from the subscription data.
3. The SGSN requests the selected GGSN to set up a PDP Context for the MS. The PDP address and APN fields are the same as in the “Activate PDP Context Request” message.
4. A Create PDP Context Response is sent from the GGSN/FA to the SGSN. If the creation of PDP Context was successful, some parameters will be returned to the SGSN, if not, error code will be returned. For Mobile IP users, the PDP address should be omitted.

5. The Activate PDP Context Accept message is sent by the SGSN to the MS and contains similar information as the Create PDP Context Response message. The PDP address should be omitted.
6. The Agent Advertisement [RFC2002] is an ICMP (Internet Control Message Protocol) Router Advertisement message with a mobility agent advertisement extension. The latter part contains parameters of the FA that the mobile node needs, among those are one or more care-of addresses that the FA offers. This message should be sent, in the UMTS/GPRS user plane, as an IP limited broadcast message, i.e. destination address 255.255.255.255, however only on the TID for the newly arrived MS to avoid broadcast over the radio interface.
7. The Mobile IP Registration Request is sent from the mobile node to the GGSN/FA across the GPRS/UMTS backbone as user traffic. The mobile node includes its (permanent) home address as a parameter [RFC2002]. Alternatively, it can request a temporary address assigned by the home network by including the Network Access Identifier (NAI) in a Mobile-Node-NAI Extension [MIP-NAI][RFC2486].
8. The FA forwards the Mobile IP Registration Request to the home network of the mobile node, where it get processed by a Home Agent (HA). Meanwhile, the GGSN/FA needs to store the home address of the mobile node or the NAI and the local link address of the MS, i.e. the TID (GPRS Tunnel ID).
9. The Registration Reply is sent from the home network to the FA, which extracts the information it needs (e.g. the home address of the mobile node if allocated by the home network) and forwards the message to the mobile node in the UMTS/GPRS user plane. As the FA/GGSN knows the TID and the NAI or home address, it can pass it on to the correct MS.

4.10.1.1 Alterations of and Additions to Current GPRS Standards

To support Mobile IP as described above, the following alterations and additions to the GPRS specifications are necessary:

1. The functionality of the GGSN needs to be enhanced with FA functionality, according to IETF specifications. For interoperability, a set of RFC's should be recommended. There is no need to standardize an interface between the GGSN and the FA, as it is considered being one integrated node.
2. The GGSN/FA node should send a FA Advertisement message after sending the Create PDP Context Response.
3. The GGSN should not give the MS a temporary UMTS/GPRS IP (PDP) address if the Mobile IP FA service has been requested.
4. The GGSN/FA and the MS shall exchange Mobile IP signaling messages in the UMTS/GPRS user plane.
5. Allow the APN to mean a GGSN with a specific service, not only a physical node. To support this, the operator must have the possibility to configure the SGSN or DNS with the choice of GGSN depending on service. A default mechanism is also needed to use a GGSN in the MS's home network if the visited SGSN does not support the requested service. Finally, an agreement between operators is needed on the possible APN's.

References

- [RFC2002] C. Perkins, Editor, RFC 2002, "IP Mobility Support", October 1996.
- [RFC2486] B. Aboba and M. Beadles, RFC 2486, "The Network Access Identifier", January 1999.
- [MIP-NAI] Pat R. Calhoun and Charles E. Perkins, "Mobile IP Network Address Identifier Extension", February 1999. Work in progress (<http://www.ietf.org/internet-drafts/draft-ietf-mobileip-mn-nai-00.txt>).
- [MIP-WG] <http://www.ietf.org/html.charters/mobileip-charter.html>

History

Document history		
V1.0.0	June 1999	Creation of document from section 7 of 23.20
V1.0.1	June 1999	Diagram in section 7.9 had not been updated in line with S2-99384 in previous version
V2.0.0	June 1999	Some ditorial changes in order to prepare the document for the approval by TSG SA, June 1999 meeting
V. 3.0.0	July 1999	Template changed, clauses and sub-clauses numbering corrected, administratives vlausues added.