

Source: MCC
Subject: Document " Overview of 3GPP Release 5"

Overview of 3GPP Release 5

Summary of all Release 5 Features

Version 0.10

Contents

| | |
|--|-----------|
| 1. INTRODUCTION..... | 5 |
| 1.1. SCOPE..... | 5 |
| 1.2. REFERENCES..... | 5 |
| 1.2.1. Specifications..... | 5 |
| 1.2.2. Tdocs..... | 5 |
| 1.2.3. Work Plan, Work Items and Study Items..... | 5 |
| 1.2.4. Change Request database..... | 6 |
| 2. RELEASE 5 IMPROVEMENTS OF RADIO INTERFACE..... | 6 |
| 2.1. TDD BASE STATION CLASSIFICATION (FOR 3.84 AND 1.28 MCPS TDD)..... | 6 |
| 2.2. ENHANCEMENT ON THE DSCH HARD SPLIT MODE..... | 7 |
| 3. RELEASE 5 RAN IMPROVEMENTS..... | 8 |
| 3.1. RRM OPTIMISATION FOR IUR AND IUB..... | 8 |
| 3.1.1. Iur common transport channel efficiency optimisation..... | 9 |
| 3.1.2. Iur neighbouring cell reporting efficiency optimisation..... | 9 |
| 3.2. RADIO LINK TIMING ADJUSTMENT..... | 10 |
| 3.3. SEPARATION OF RESOURCE RESERVATION AND RADIO LINK ACTIVATION..... | 10 |
| 3.4. RE-ARRANGEMENTS OF IUB TRANSPORT BEARERS..... | 10 |
| 3.5. RAB SUPPORT ENHANCEMENTS FOR REL 5..... | 11 |
| 3.6. BEAMFORMING REQUIREMENTS FOR UE..... | 11 |
| 3.7. SUPPORT OF SITE SELECTION DIVERSITY TRANSMISSION IN UTRAN..... | 12 |
| 3.8. NODE B SYNCHRONISATION FOR 1.28 MCPS TDD..... | 13 |
| 4. RELEASE 5 EVOLUTIONS OF THE TRANSPORT IN THE UTRAN..... | 13 |
| 4.1. IP TRANSPORT IN UTRAN..... | 13 |
| 5. LCS ENHANCEMENTS 1..... | 14 |
| 5.1. REL-5 LCS ENHANCEMENTS IN GERAN..... | 14 |
| 5.2. REL-5 LCS ENHANCEMENTS IN UTRAN..... | 15 |
| 5.2.1. UE Positioning Enhancements for 1.28 Mcps TDD..... | 15 |
| 5.2.2. Open SMLC-SRNC Interface within the UTRAN to support A-GPS Positioning..... | 16 |
| 5.3. OTHER LCS IMPROVEMENTS IN REL-5..... | 16 |
| 6. SECURITY ENHANCEMENTS: NETWORK DOMAIN SECURITY..... | 17 |
| 7. HIGH SPEED DOWNLINK PACKET ACCESS..... | 18 |
| 7.1. ARCHITECTURE..... | 19 |
| 7.2. AMC, ADAPTATIVE MODULATION AND CODING..... | 20 |
| 7.3. HYBRID ARQ..... | 20 |
| 8. INTRA DOMAIN CONNECTION OF RAN NODES TO MULTIPLE CN NODES (IUFLEX)..... | 20 |
| 9. UTRAN SHARING IN CONNECTED MODE..... | 22 |
| 10. IP MULTIMEDIA CN SUBSYSTEM (IMS)..... | 23 |
| 10.1. OVERVIEW..... | 23 |
| 10.2. MAIN ENTITIES..... | 24 |
| 10.3. CONVERSATIONAL SERVICES AND CODEC ASPECTS..... | 24 |
| 10.4. OTHER ASPECTS..... | 25 |
| 11. EXTENDED TRANSPARENT END-TO-END PACKET SWITCHED MOBILE STREAMING APPLICATIONS ("EXTENDED STREAMING")..... | 25 |
| 12. OSA IMPROVEMENTS..... | 26 |

| | | |
|------------|---|-----------|
| 13. | CAMEL PHASE 4 | 28 |
| 14. | MEXE ENHANCEMENTS REL-5..... | 29 |
| 14.1. | MEXE REL-5 IMPROVEMENTS AND INVESTIGATIONS | 29 |
| 15. | WIDEBAND ADAPTATIVE MULTI RATE CODEC..... | 30 |
| 16. | TERMINAL INTERFACES..... | 30 |
| 16.1. | TERMINAL LOCAL MODEL ENHANCEMENTS..... | 30 |
| 17. | (U)SIM TOOLKIT ENHANCEMENTS | 31 |
| 18. | CHARGING AND OAM&P | 32 |
| 19. | GERAN ENHANCEMENTS..... | 33 |
| 19.1. | GERAN/UTRAN INTERFACE EVOLUTION 1: EVOLUTION OF IU PS | 33 |
| 19.2. | GERAN/UTRAN INTERFACE EVOLUTION 2: EVOLUTION OF IU CS | 33 |
| 19.3. | GERAN INTER BSC NACC IMPROVEMENTS OVER THE Gb INTERFACE | 34 |
| 19.4. | 8PSK AMR HR..... | 34 |
| 19.5. | GERAN ENHANCEMENTS FOR STREAMING SERVICES 1 & 2 | 34 |
| 19.6. | INTRA DOMAIN CONNECTION OF RAN NODES TO MULTIPLE CN NODES | 34 |
| 19.7. | LOCATION SERVICES (LCS) FOR GERAN IN A/Gb MODE..... | 34 |
| 19.8. | REAL TIME QOS FOR PACKET SERVICES INCLUDING VOIP | 34 |
| 19.9. | ENHANCED POWER CONTROL..... | 34 |
| 19.10. | ALIGNMENT OF 3G FUNCTIONAL SPLIT AND IU | 35 |
| 19.11. | GERAN SUPPORT FOR IMS | 35 |
| 19.12. | MULTIPLE TBF IN A/Gb MODE..... | 35 |
| 20. | END-TO-END QOS..... | 36 |
| 21. | MESSAGING ENHANCEMENTS..... | 37 |
| 21.1. | MULTIMEDIA MESSAGING (MMS) ENHANCEMENTS | 38 |
| 21.2. | ENHANCED MESSAGING SERVICE (EMS) ENHANCEMENTS..... | 38 |
| 22. | SERVICE CHANGE AND UDI FALLBACK..... | 39 |
| 23. | RELEASE INDEPENDENT FEATURES..... | 40 |
| 23.1. | UMTS 1800 AND UMTS 1900..... | 40 |
| 23.2. | GLOBAL TEXT TELEPHONY..... | 41 |
| 24. | FEATURES NOT BELONGING TO RELEASE 5..... | 41 |

1. Introduction

1.1. Scope

This document contains a high-level description of all 3GPP Release 5 Features.

A Feature is defined as new or substantially enhanced functionality which represents added value to the existing system. A feature should normally embody an improved service to the customer and / or increased revenue generation potential to the supplier.

Features are as independent as possible from each other, and relationships between features (if any) are clarified here.

Some features correspond to a grouping of different independent items impacting the same parts of the system (e.g. "Release 5 RAN improvements"). These groupings are performed to limit the total number of features for each Release. For these features, a summary of each item is provided.

For each feature (or independent item), references are given to guide the reader to deepen the subject: the Work Item Description (WID) as well as the list of impacted specifications are provided in the beginning of the section describing the feature. Only the list of impacted specifications is provided here. The exact impact on a given specification due to a given feature is described by the Change Request (CR) list, which can be found at the end of the specification, or the CR database provides the full list of CRs for all 3GPP specifications.

The remaining part of this clause contains global references, and provides links towards the 3GPP Specifications, the temporary documents (tdocs), the Work Plan, the Work Item Descriptions (WIDs) and the CR database.

The main body of this document is structured according to the 3GPP Release 5 Features: each chapter corresponds to one Release 5 Feature.

1.2. References

1.2.1. Specifications

Global information on the Specifications can be found at:

<http://www.3gpp.org/specs/specs.htm>

All 3GPP Specifications are available at:

<http://www.3gpp.org/ftp/Specs/>

The specifications are sorted by date of availability (one set after each TSG plenary), then by Release, then by series.

The latest versions of 3GPP specifications are available at:

<http://www.3gpp.org/ftp/Specs/latest/>

1.2.2. Tdocs

Temporary Documents (tdocs) for all 3GPP technical groups (Working Groups (WGs) and Technical Specification Groups (TSGs)) are available at:

<http://www.3gpp.org/ftp/>

starting with 'tsg....'.

1.2.3. Work Plan, Work Items and Study Items

The 3GPP Work Plan contains the full list of Work Items and Study Items (also called "Feasibility Studies"), as well as relevant information for each WI, as the WG in charge of it, its starting date and (foreseen or actual) completion date, etc. The Work Plan is available at:

http://www.3gpp.org/ftp/Information/WORK_PLAN/

Work Item and Study Item sheets are stored in:

http://www.3gpp.org/ftp/Information/WI_sheets/

1.2.4. Change Request database

A specification is originally drafted and maintained by a rapporteur, who compiles the contents from discussions in the WGs and TSGs. When it is considered to be 80% complete, it is brought under change control. After this, changes to the specification can only be made using Change Requests that are usually agreed by consensus in the Working Group responsible for the specification, but then formally approved by the relevant Technical Specification Group.

The Change Request database contains all available information on Change Requests, including a Work Item code, a Change Request number that is unique within the specification (different versions are possible, but only one can ever be approved), the status of each Change Request and references to relevant temporary document numbers and meetings.

http://www.3gpp.org/ftp/Information/Databases/Change_Request/

Further information on CR is available at:

<http://www.3gpp.org/specs/CR.htm>

2. Release 5 Improvements of radio interface

Acronym: RInImp

Unique_ID: 501216

References for WI "Improvements of radio interface"

| Document | Title/Contents |
|----------------|----------------|
| RAN_Work_Items | WI Sheet |

This feature consists of two independent improvements to the Release 4 radio interface: TDD BS classification and enhancement on the DSCH hard split mode.

2.1. TDD Base station classification (for 3.84 and 1.28 Mcps TDD)

Acronyms: RInImp-BSCClass-TDD (for 3.84 Mcps TDD)

RInImp-BSCClass-LCRTDD (for 1.28 Mcps TDD)

Unique_IDs: 1471, 1477 (TDD), 24002 (LCRTDD)

References for WIs "Base Station Classification"

| Document | Title/Contents |
|-------------------------------------|---|
| WIDs | |
| RAN_Work_Items | WI Sheet "Base station classification" |
| RAN_Work_Items_History | WI Sheet "TDD base station classification" |
| RAN_Work_Items_History | WI Sheet "Base station classification for 1.28 Mcps TDD" |
| RP-020359 | Final Status report "TDD base station classification" |
| RP-020299 | Final Status Report "Base station classification for 1.28 Mcps TDD" |
| RP-020126 | Final Status report |
| Impacted Specifications | |
| | TBP |
| New Dedicated Specifications | |
| TR 25.952 | "TDD Base Station Classification" |
| TR 25.882 | "1.28 Mcps TDD option BS classification" |

Release 99 and Release 4 base station (BS) requirements have been set according to the needs of the macrocell deployment scenario. BS compliant with these specifications are not well suited for microcell and picocell scenarios. This WI studied the particular needs of such scenarios and set new requirements for new BS classes to be used under certain conditions. The work done can be summarised as follows:

- Definition of BS classes according to deployment scenarios.
- Update of some radio parameters, measurement requirements and conformance specifications as listed below.

Work Tasks were identified for the different UTRA modes and chip rates:

- FDD BS Classification
- 3.84 Mcps TDD BS Classification
- 1.28 Mcps TDD BS Classification

3.84 Mcps TDD and 1.28 Mcps TDD are covered in Release 5, whereas FDD BS Classification is part of Release 6.

In TDD, the definition of two classes have been introduced:

- **Wide Area Base Stations.** Characterised by requirements derived from Macro Cell and Micro Cell scenarios with BS to UE coupling losses¹ equal to 70 dB and 53 dB. The Wide Area Base Station has the same requirements as the base station for General Purpose application in Release 99 and Release 4
- **Local Area Base Station.** Characterised by requirements derived from Pico Cell scenarios with a BS to UE coupling loss equals to 45 dB.

The following requirements are different now for each class (see TS 25.105, TS 25.123):

- Frequency stability
- Adjacent Channel Leakage Ratio (ACLR)
- Spurious emissions under certain cases of co-existence in the same geographic area with UTRA FDD/TDD
- Receiver sensitivity
- Adjacent Channel Selectivity (ACS)
- Blocking and intermodulation characteristics
- Demodulation of Dedicated CHannel (DCH) in static and multipath conditions (cases 1 and 2 as defined in TS 25.105)
- Dynamic range
- Received Total WideBand Power, Received Signal Code Power (RSCP) measurements range

2.2. Enhancement on the DSCH Hard Split mode

Acronym: RInImp-DSCHhsp

Unique_ID: 2469

¹ **MCL (Minimum Coupling Loss)** is defined as the minimum distance loss including antenna gain measured between antenna connectors.

References for WI "Enhancement on the DSCH Hard Split mode"

| Document | Title/Contents |
|-------------------------------------|---|
| WIDs | |
| RAN_Work_Items_History | WI Sheet |
| RP-020126 | Final Status report |
| Impacted Specifications | |
| TS 25.212 , subclause 4.3.4 | TFCI coding in DSCH Hard Split mode |
| New Dedicated Specifications | |
| TR 25.870 | Enhancement on the DSCH Hard Split mode |

Two limitations of the Downlink Shared CHannel (DSCH) hard split mode as defined in Release 99 in TS 25.212 are resolved by this Work Item:

- When a DSCH is used, its Transport Format Combination Information (TFCI) is sent in the DPCCH (Dedicated Physical Control CHannel) of the associated DCH (Dedicated CHannel). The TFCI field in the DPCCH is shared by the DSCH and the DCH. TFCI size is always 10 bits, and in DSCH hard split mode there is a static allocation of 5 bits to the DSCH and 5 bits to the DCH. This is identified as a limitation, as only 32 TFCI can be coded for DSCH or DCH.
- Logical split is a different split mode in which both TFCIs are concatenated and then coded together. It allows more flexibility in the use of the available TFCI bits, but it cannot be used over the Iur (in soft HO). In split mode of operation, TFCI2 (TFCI for DSCH) is not necessarily transmitted from every cell in the active set when the UE is in soft handover region. In that situation, the combined TFCI power in UE may not be enough to detect it reliably. Also, the power offset for TFCI is determined in Radio Link Setup procedure, and cannot be flexibly changed any longer when a change in the active set occurs. Therefore, there seems to be a reliability problem if the power offset is initially decided a lower value than required, regardless of whether UE is in soft handover or not. To solve this problem in Release 99 and Release 4, the power offset must be always set the highest value even when UE is not in soft handover. This is inefficient in the viewpoint of power resource management. A TFCI power control method could solve these problems.

The solutions for these two limitations of the Hard split mode offered by this Work Item are:

- A new TFCI coding scheme named "Flexible Hard Split mode TFCI" that permits to allocate the available 10 bits in a dynamic manner. This scheme is used for non-split, fixed/flexible split modes, and gives identical output for non-split mode and 5:5 hard split as in Release 99/Release 4;
- A TFCI power control method that adjusts the power offset for TFCI in a flexible manner. This method uses information on whether the User Equipment is in soft handover or whether Site Selection Diversity Transmission is used.

3. Release 5 RAN improvements

Acronym: RANimp

Unique_ID: Several, as listed below

References for WI "RAN improvements"

| Document | Title/Contents |
|----------------|----------------|
| RAN_Work_Items | WI Sheet |

This feature consists of a collection of independent improvements to the Release 4 Radio Access Network presented in the following sub-sections.

3.1. RRM optimisation for Iur and Iub

Acronym: RANimp-RRMopt

Unique_ID: 656

References for WI "RRM optimisation for lur and lub"

| Document | Title/Contents |
|-------------------------------------|----------------|
| WIDs | |
| RAN_Work_Items_History | WI Sheet |
| Impacted Specifications | |
| | TBP |
| New Dedicated Specifications | |
| | TBP |

This Work Item allows to optimise the existing procedures and functions on the lub and lur interfaces. It contains two independent Work Tasks, described in the two following sub-sections.

3.1.1. lur common transport channel efficiency optimisation

Acronym: RANimp-RRMopt-ctc

Unique_ID: 23000

Table 4.1.1.1: References for WI "lur Common Transport Channel Efficiency Optimisation"

| Document | Title/Contents |
|-------------------------------------|---|
| WIDs | |
| RAN_Work_Items_History | WI Sheet |
| RP-020209 | Final Status report |
| Impacted Specifications | |
| | TBP |
| New Dedicated Specifications | |
| R3.002 | Internal TR on lur Common Transport Channel Efficiency Optimisation |

In Release 99 and Release 4, each time the UE moves from one cell to another cell in the same RNS, a procedure is required in some states to provide the SRNC with some information that often stays the same, because the RNS is the same.

The Work Item provides a possibility for the RNS to indicate that the procedure is not required as far as it is concerned, so that the procedure is executed only when necessary².

3.1.2. lur neighbouring cell reporting efficiency optimisation

Acronym: RANimp-RRMopt-ncr

Unique_ID: 23001

Table 4.1.2.1: References for WI "lur Neighbouring cell reporting efficiency optimisation"

| Document | Title/Contents |
|-------------------------------------|---|
| WIDs | |
| RAN_Work_Items_History | WI Sheet |
| RP-020151 | Final Status report |
| Impacted Specifications | |
| | TBP |
| New Dedicated Specifications | |
| TR 25.884 | "lur Neighbouring cell reporting efficiency optimisation" |

In Release 99 and Release 4, every time a radio link is established within a cell, information about certain characteristics of neighbouring cells is provided to the SRNC regardless of whether it has received this information before.

² More precisely, Currently in RACH/FACH state, the SRNC will have to execute the RNSAP Common Transport Channel Resources Initialisation procedure every time the UE moves from one cell to another cell in the same DRNS. This procedure is required to provide the SRNC with some information that, in most of the cases, remains invariable as the DRNS is the same. It is proposed to introduce a mechanism which reduces the need for a Common Transport Resources Initialisation procedure where possible.

With this WI, the DRNC is given the possibility to inform the SRNC that as far as the DRNC is concerned, it does not require a Common Transport Channel Resources Initialisation procedure to be performed if the UE remains in CELL-FACH state. The solution is implemented with a new IE in the Uplink Signalling Transfer message from the DRNC to the SRNC.

This Work Item provides a mechanism that avoids the transport of information of which the SRNC is already aware. The mechanism groups indicators of the cell's characteristics and capabilities in a common Cell Capability Container, optimising the size increase for Release 5 and later releases.

3.2. Radio link timing adjustment

Acronym: RANimp-RLTA

Unique_ID: 2488

| References for WI "Radio Link Timing Adjustment" | |
|--|--------------------------------|
| Document | Title/Contents |
| WIDs | |
| RAN_Work_Items_History | WI Sheet |
| RP-020138 | Final Status report |
| Impacted Specifications | |
| | TBP |
| New Dedicated Specifications | |
| TR 25.878 | "Radio Link Timing Adjustment" |

The transmission timing of a radio link relates to the time between reception of the downlink DPCH and transmission of uplink DPCH. In the physical layer and layers 2 and 3 specifications, mechanisms for the adjustment of this timing have been defined for Release 99 and Release 4. However, there is no RNSAP nor NBAP message which contains any information about DL timing adjustment and therefore it is not possible for the SRNC to use the mechanisms in place and to adjust the DL timing of a DPCH.

This work item allows to execute a timing adjustment of one individual RL, typically one of several RLs in the active set. After two alternative solutions were studied, it was finally decided that timing adjustment is done by means of DL timing corrections only (and not combined DL and UL). The UE timing is not drifted, only the NodeB whose radio link gets out of the UE receiving window has its timing adjusted. Since DL timing mechanisms are currently in place in Release 99 RRC specification, mainly the RNSAP and NBAP protocols were impacted (some small changes were also required on the RRC protocol).

3.3. Separation of resource reservation and radio link activation

Acronym: RANimp-SepRR

Unique_ID: 2489

| References for WI "Separation of resource reservation and radio link activation" | |
|--|--|
| Document | Title/Contents |
| WIDs | |
| RAN_Work_Items_History | WI Sheet |
| RP-020141 | Final Status report |
| Impacted Specifications | |
| | TBP |
| New Dedicated Specifications | |
| TR 25.879 | "Separation of resource reservation and radio link activation" |

In Release 99 and Release 4, the reservation of dedicated resources in the UTRAN is linked to the RF transmission on the corresponding radio links. This Work Item introduces a mechanism to activate/deactivate radio transmission independently of the reservation of resources in the network.

Although being one of the motivations of this WI, the final implementation doesn't allow to reserve resources in the network without allocating them to a particular UE, so allocation is still done at the reservation and not at the activation.

3.4. Re-arrangements of lub transport bearers

Acronym: RANimp-TTPS (previous name: "Traffic Termination Point Swapping")

Unique_ID: 2491

References for WI "Re-arrangement of Iub Transport Bearers"

| Document | Title/Contents |
|-------------------------------------|---|
| WIDs | |
| RAN_Work_Items_History | WI Sheet |
| RP-020144 | Final Status report |
| Impacted Specifications | |
| | TBP |
| New Dedicated Specifications | |
| TR 25.880 | "Re-arrangement of Iub Transport Bearers" |

Two problems were identified concerning bearer allocation in Release 99 and Release 4:

- There is no mechanism to change signalling bearer once it has been selected at the creation of the Node B Communication Context;
- There is no mechanism to switch the existing transport bearers from one physical termination point to another.

To solve these problems, this Work Item modifies the existing Radio Link reconfiguration procedure and introduces a new procedure "Iub Bearer Re-Arrangement Indication". This allows distributed physical resources to be used more efficiently by switching existing transport bearers from one physical termination point to another. The solution also allows balancing of the transport resources between the segments of the Node B transport resource pool.

3.5. RAB support enhancements for Rel 5

Acronym: RANimp-RABSE5

Unique_ID: 22000

References for WI "Radio Access Bearer Support Enhancements"

| Document | Title/Contents |
|-------------------------------------|--|
| WIDs | |
| RAN_Work_Items_History | WI Sheet |
| RP-020343 | Final Status report |
| Impacted Specifications | |
| TS 25.331 | TBP |
| TS 25.413 | RANAP |
| New Dedicated Specifications | |
| TR 25.860 | "Radio Access Bearer Support Enhancements" |

Under this general Work Item, different changes are introduced in different releases. The Release 5 part introduces the required changes to perform RFC3095 context relocation in the SRNS context relocation.

RFC3095 "RObust Header Compression (ROHC)" is the IETF proposal for IP header compression specially designed for real time IP services over wireless links. ROHC is currently part of the Release 4 of UTRAN as one of the compression schemes to be provided by the PDCP sublayer in the RNC.

As ROHC is part of the PDCP layer, there is a compressor and decompressor pair in the RNC and a corresponding pair in the UE. During SRNS relocation the source RNC gives the role of the serving RNC (SRNC) to the target RNC, therefore compressor/decompressor have to be relocated as well.

The straightforward solution currently in place in Release 4 has been to initialise the header compression in both peers after relocation, which results in problems like high probability of lost speech frames. This could be avoided by not initialising compression but continuing it in the target SRNC from the place in which the compression ended in the source SRNC.

In order to perform the ROHC relocation, RANAP messages that carry RAB contexts during SRNS relocation are updated to carry also the ROHC/RFC3095 contexts for each RAB. The ROHC context IE to be transferred is defined in the RRC protocol specification. "RFC3095 Context Info" container to RANAP information elements "Forward SRNS Context" and "RANAP Relocation Information" were added to RANAP.

3.6. Beamforming requirements for UE

Acronym: RANimp-BFR-UE

Unique_ID: 21001

References for WI "Beamforming requirements for UE"

| Document | Title/Contents |
|-------------------------------------|---------------------|
| WIDs | |
| RAN_Work_Items_History | WI Sheet |
| RP-010800 | Final Status report |
| Impacted Specifications | |
| | TBP |
| New Dedicated Specifications | |
| | TBP |

Beamforming with dedicated pilot symbols or with S-Common Pilot Channel has the potential to improve system capacity. Beamforming antennas consist of an array of antennas used to form one or several beams within a cell with controlled beam directions.

This Work Item defines the UE performance requirements for efficient support of beamforming, including active set size limitation and performance requirement for a dedicated pilot.

A separate Work Item (Beamforming enhancements) is dedicated to the use of beamforming in UTRAN, but this is not part of Release 5.

3.7. Support of Site Selection Diversity Transmission in UTRAN

Acronym: RANimp-SSDT

Unique_ID: 21002

References for WI "SSDT support in UTRAN"

| Document | Title/Contents |
|-------------------------------------|---------------------|
| WIDs | |
| RAN_Work_Items_History | WI Sheet |
| RP-020356 | Final Status report |
| Impacted Specifications | |
| | TBP |
| New Dedicated Specifications | |
| | TBP |

In Soft Hand Over, a UE keeps a radio link (downlink and uplink) with a group of cells at the same time. This group is termed "Active Set". However, having several Node Bs transmitting to one UE might not be beneficial for the system as a whole, as it increases interference to other users. In Site Selection Diversity Transmission (SSDT) operation, the UE reports the cell that it receives better (Primary), and the other cells stop transmitting the data in the DPDCH. They continue however listening since they may need to change the state to Primary at any time, and they also keep transmitting the control channel (DPCCH).

To change its state, the Node B uses a parameter labeled Qth (quality threshold) determined by upper layers, together with the target SIR and the uplink DPCH SIR.

In the Release 99 and Release 4 specifications, it is assumed that the Qth parameter in Node B is set as an OAM parameter with vendor specific definition and signaling ranges. However, support of Qth parameter over NBAP is needed for multi-vendor NodeBs and hence full support of SSDT on the UTRAN side. In addition, the physical quantity (UTRAN measurement) used in combination with the Qth parameter is not defined in TS 25.214 specification, and performance requirements for the Node B are missing.

In summary, the WI results in the following:

- The Qth parameter and physical measurement quantity at Node B are specified
- Performance requirements for correct operation of the SSDT functionality at the Node B
- The necessary signalling of the Qth parameter over the Iub and Iur interfaces is specified

It has to be reminded that SSDT support is mandatory in Release 99 UEs, the changes introduced with this WI ensure the functionality in the network, but no new concept is included; it is SSDT in the same form as defined in Release 99.

3.8. Node B Synchronisation for 1.28 Mcps TDD

Acronym: RANimp-NBSLCR

Unique_ID: 2472

References for WI "Node B Synchronisation for 1.28 Mcps TDD"

| Document | Title/Contents |
|-------------------------------------|--|
| RAN_Work_Items_History | WI Sheet |
| RP-020201 | Final Status report |
| Impacted Specifications | |
| | TBP |
| New Dedicated Specifications | |
| TR 25.868 | "Node B Synchronisation for 1.28 Mcps TDD" |

In Release 4, a Synchronisation Port in 3.84 Mcps TDD Node Bs was standardised to minimise cross-interference in neighbouring cells and to enable cell synchronisation by means internal to UTRAN, such as signalling via the air interface.

This Work Item provides a similar synchronisation method for 1.28 Mcps TDD, which differs from the Release 4 method in that it uses the Downlink Pilot CHannel (DwPCH) rather than the Physical Random Access CHannel (PRACH) that is used for 3.84 Mcps TDD.

4. Release 5 evolutions of the transport in the UTRAN

Acronym: ETRAN

Unique_ID: Several, as listed below

References for WI "Evolutions of the transport in the UTRAN"

| Document | Title/Contents |
|----------------|----------------|
| RAN_Work_Items | WI Sheet |

This feature was designed as a collection of independent improvements to the Release 4 transport in the UTRAN. At the end of Release 5, it appears that the collection was reduced to one single item, "IP Transport in UTRAN" described below. However, as to avoid purely administrative work, the structure was kept as such.

4.1. IP Transport in UTRAN

Acronym: ETRAN-IPtrans

Unique_ID: 625

References for WI "IP Transport in UTRAN"

| Document | Title/Contents |
|-------------------------------------|-------------------------|
| RAN_Work_Items_History | WI Sheet |
| RP-020135 | Final Status report |
| Impacted Specifications | |
| | TBP |
| New Dedicated Specifications | |
| TR 25.933 | "IP Transport in UTRAN" |

In Release 99 and Release 4, only ATM can be used at the transport layer in the various interfaces.

This Work Item introduces the possibility to use IP at the transport layer in the Iub, Iur, Iu-Ps and Iu-Cs interfaces, as an alternative to ATM. However, the use of ATM at the link layer under IP is not precluded.

The introduction of IP as a transport protocol in the radio network does not imply an end to end IP network; the UE may be given an IP address by the higher layers, but it will not be part of the UTRAN IP network (which is private), and packets will be encapsulated in the corresponding User Plane protocol.

The Work Item has made a choice for the protocols to transport the Radio and Signalling bearers over IP. Different solutions are adopted: UDP is used in the User plane in the three interfaces, and SCTP with additional protocols is used for the Signalling bearers. With respect to the IP version, IPv6 is mandatory and IPv4 is optional, although a dual stack is recommended.

Additionally, the Work Item resulted in decisions on QoS and interworking with ATM transport networks:

- Diffserv is the mechanism to provide different service levels, and several alternatives are allowed for the traffic flow classification. It is allowed also that the QoS differentiation can be provided either on a hop-by-hop basis or on an edge-to-edge basis;
- Interworking with Release 99/Release 4 and Release 5 ATM nodes is required, and it can be accomplished via a dual stack, a logical interworking function or a separate InterWorking unit.

5. LCS enhancements 1

Acronym: LCS1

Unique_ID: Several, as listed in the following sub-sections

This feature consists of a collection of independent improvements to the Location Services of Release 4.

The main improvements can be classified in three categories:

- the ones linked to GERAN: the location is now possible for the GERAN when the Iu is used for circuit switch (CS) and packet switch (PS) modes, as well as when the Gb is used (for PS mode). The official WI names are:
 - Location Services for GERAN in A/Gb Mode
 - Location Services for GERAN in Iu ModeAlso the WI entitled "LCS interoperation stage 2 aspects/LCS interoperability aspects to GERAN" refers to GERAN, but does not add some functions in the network.
- the ones linked to UTRAN:
 - UE Positioning Enhancements for 1.28 Mcps TDD
 - Open SMLC-SRNC Interface within the UTRAN to support A-GPS Positioning
- the other ones (linked to service aspects, to CN aspects, and to other general aspects):
 - Specification for the Le Interface between the external client and the network.
 - Event based and Periodic LCS. With this addition, it is now possible to trigger a new report of location when the mobile enters a new cell area and to have periodic location report.
 - OAM and feasibility studies as detailed in the corresponding sub-section.

5.1. Rel-5 LCS enhancements in GERAN

Acronyms: Location Services for GERAN in A/Gb Mode: LCS-GERAB

Location Services for GERAN in Iu Mode: LCS-GERIU

LCS interoperability aspects to GERAN: LCS-INTF

Unique_IDs: LCS-GERAB: 2436

LCS-GERIU: 2442

LCS-INTF: 2434

References for WI "Rel-5 LCS enhancements in GERAN"

| Document | Title/Contents |
|-------------------------------------|--|
| WIDs | |
| GP-011925 | Location Services for GERAN in A/Gb Mode |
| GP-011926 | Location Services for GERAN in Iu Mode |
| GP-000456 | LCS interoperability aspects to GERAN |
| Impacted Specifications | |
| 43.059 | Functional stage 2 description of Location Services (LCS) in GERAN |
| 44.031 | Mobile Station (MS) Serving Mobile Location Centre (SMLC) Radio Resource LCS Protocol (RRLP) |
| 44.071 | Mobile radio interface layer 3 Location Services (LCS) specification |
| 49.031 | Base Station System Application Part LCS Extension (BSSAP-LE) |
| New Dedicated Specifications | |
| | None |

The purpose of these work items is to enhance GERAN LCS. As listed above, the two main items are:

- LCS for GERAN in A/Gb mode: LCS support on packet-data channels and over the A/Gb interface. This encompasses the introduction of LCS in packet switched GERAN, including similar services as in circuit switched GSM, with reasonably small amount of changes to the existing GPRS specifications. Backward compatibility with GSM LCS Rel98 and Release 99 BSS architecture is offered.
- LCS for GERAN in Iu mode: LCS support over the Iu-ps, Iu-cs, Iur-g interfaces.

The stage 2 of LCS in GERAN is specified in TS 43.059. This TS covers only LCS within the GERAN. The LCS entities and operations within the Core Network are specified in TS 23.271, whatever GERAN or UTRAN is used in the access network. The same positioning methods are supported by GERAN LCS as in earlier release, i.e. Timing Advance (TA), Enhanced Observed Time Difference (E-OTD), and Global Positioning System (GPS).

The third item is a tool for creation of the standard rather than an added functionality. It is:

- LCS interoperability aspects to GERAN: its purpose was to co-ordinate the development of GERAN LCS Phase 2 (performed by GERAN) and UTRAN LCS (performed by SA2). After exchange of info by LSs between SA2 and GERAN, it appeared that no major discrepancies were found between GERAN and SA2 work.

5.2. Rel-5 LCS enhancements in UTRAN

Acronym: LCS1-UEpos

Unique_ID: 1600

It consists in the two items described in the two following sub-sections.

5.2.1. UE Positioning Enhancements for 1.28 Mcps TDD

Acronym: LCS-128Pos

Unique_ID: 2474

References for WI "UE positioning enhancements for 1.28 Mcps TDD"

| Document | Title/Contents |
|---|---|
| RAN_Work_Items_History | WI Sheet |
| RP-020088 | Final Status report |
| TR 25.859 | "UE positioning enhancements for 1.28 Mcps TDD" |
| Impacted specifications | |
| 25.305, 25.123, 25.224, 25.225, 25.302, 25.303, 25.304, 25.331, 25.420, 25.423, 25.430, 25.433. | |
| New Dedicated Specifications | |
| | None |

This Work Item introduces two positioning methods to be used with 1.28 Mcps TDD:

- Observed Time Difference Of Arrival (OTDOA): Same principle as OTDOA for FDD and 3.84 Mcps TDD. The measurement for OTDOA position estimation is the 'SFN – SFN' (System Frame Number) observed time difference between cell transmissions;
- Angle of Arrival (AOA). Based on the sector that the Node B is using to receive and transmit to the UE, the location region can be estimated. The method can be further improved when adaptative antennae are used, which is a proposed feature for 1.28 Mcps TDD.

5.2.2. Open SMLC-SRNC Interface within the UTRAN to support A-GPS Positioning

Acronym: LCS-INTF

Unique_ID: 2125

References for WI "Open SMLC-SRNC Interface within the UTRAN to support A-GPS Positioning"

| Document | Title/Contents |
|-------------------------------------|--|
| RAN_Work_Items_History | WI Sheet |
| RP-010639 | Final Status report |
| Impacted specifications | |
| TS 25.450 | "UTRAN I _{upc} Interface: General Aspects and Principles" |
| TS 25.451 | "UTRAN I _{upc} Interface: Layer 1" |
| TS 25.452 | "UTRAN I _{upc} Interface: Signalling Transport" |
| TS 25.453 | "Positioning Calculation Application Part (PCAP)" |
| TS 25.401, TS 25.305 | Stage 2 of LCS in UTRAN |
| New Dedicated Specifications | |
| | None |

For A-GPS positioning, there is sufficient functional separation from RNC functions to justify a separate interface towards a StandAlone SMLC (SAS). This Work Item provides support for an open interface between the SAS and the SRNC limited to the support of A-GPS positioning, the I_{upc} interface. This new interface is analogous to the Lb interface defined in the GSM LCS specifications, except that the positioning messages are terminated at the SRNC and mapped to Release 99 RRC messages and that the positioning messages also support broadcast of LCS assistance data in support of the RRC broadcast messages.

An SAS is an optional³ network element that performs the following procedures:

- Provide GPS assistance data to the RNC, for both UE-assisted and UE-based method types, to be delivered through point-to-point or broadcast channels to UE;
- Act as a location calculation server if the location estimates are not to be calculated in the RNC.

The SAS communicates with the RNC over the I_{upc} interface enabling it to forward UE Positioning assistance data to UEs and to receive UE Positioning measurement data from the RNC.

When timing assistance is needed, the SAS relies on the RNC (and on the possibility to have GPS receivers co-located with the RNC, the Node Bs and/or present in the UEs) to obtain that.

The I_{upc} interface is used to allow communication between an RNC and an SAS. This interface is used to signal position estimate requests and responses as well as UE Positioning related information using mechanisms consistent with the other internal UTRAN interfaces. The I_{upc} interface is used for providing the RNC with UE Positioning data to be used for both point-to-point and broadcast purposes. The I_{upc} interface uses an Iups-like protocol stack for the transport layer.

The addition of this interface does not preclude the A-GPS to be supported in the SRNC.

5.3. Other LCS improvements in Rel-5

Main Acronyms: Event based and Periodic LCS : LCS1-EBP
Specification for the Le Interface: LCS1-Le

Mains Unique_IDs: LCS1-EBP: 1171

³ "optional" means that the function is not necessarily embedded in a stand-alone entity and can also be performed by the SRNC.

References for WI "Location Services enhancements"

| Document | Title/Contents |
|-------------------------------------|----------------------|
| WIDs | |
| SP-010518 | WID for LCS in Rel-5 |
| Impacted Specifications | |
| 22.071 | LCS - Stage 1 |
| 23.271 | LCS - Stage 2 |
| New Dedicated Specifications | |
| | None |

- Event driven deferred LCS request: Event-driven LCS is included in release 4: it enables to determine the position of a mobile when it becomes active in the network. Release 5 introduces a new type of event allowing a trigger of location report: a location report can now be triggered each time the mobile enters a new cell area.
- Standardisation of the Le interface: the Le interface between the external LCS client and the network's GMLC is specified by a reference towards Location Interoperability Forum documentation. For the former Releases, the communications between external client and the network were done on proprietary solutions.
- Enhanced support for user privacy and subscriber data handling. Three new services were introduced: "Requestor" (the identity of the originating entity, which has requested the location of the target UE from the LCS client) is sent to the UE, "Codeword" (a secret code to be provided by the requestor in order not to get the location request rejected), and "Service Type" (an indication of the purpose of the LCS request, to be chosen between a given array of values, as e.g. "Public Safety Services", "Traffic Monitoring" or "Tracking Services"). A Technical Report was elaborated for this purpose (TR 23.871), which concluded that all these three concepts have been handled and included in Release 5 LCS stage 2 TS 23.271 by means of CR providing minor functional requirements on the existing architecture, without any need of new architecture.

Other more generic LCS-related matters handled in Release 5 are:

- GERAN MS Conformance test for LCS
- GERAN BTS Conformance test for LCS
- FS on LCS support in the IMS
- Periodic location reports: Periodic LCS could be seen as Event based LCS, where the event is that a defined period timer is running out and activates a location request/report. In Release 4, the GMLC handles periodic LCS request, but in Release 5 it was investigated if some value was added by having also other network elements like MSC, SGSN, UE and RNC being able to handle periodic location reports autonomously. The conclusion was that it was not necessary to introduce such type of functionality.
- Charging and OAM&P for LCS enhancements (impacts 32.101 and 32.102 for general OAM aspects, and 32.205 and 32.215 for charging aspects).

6. Security enhancements: Network Domain Security

Acronym: SEC1-NDS

Unique_ID: 1576

References for WI "Network Domain Security"

| Document | Title/Contents |
|-------------------------------------|---|
| WIDs | |
| SP-000420 ⁴ | Network Domain Security |
| Impacted Specifications | |
| 33.102 | 3G Security; Security architecture |
| 33.103 | 3G Security; Integration Guidelines ⁵ |
| 33.105 | 3G Security; Cryptographic Algorithm Requirements |
| New Dedicated Specifications | |
| TS 33.210 | 3G Security; Network Domain Security; IP network layer security |

This WI consists of the stage-2 specification for IP-related security in the UMTS core network. These "Security services" are confidentiality, integrity, authentication and anti-replay protection. They are ensured by standard procedures, based on cryptographic techniques.

The WI also defines the security architecture for the UMTS network IP based control plane, covering the control signalling on selected interfaces between UMTS network elements.

It was identified that 3G systems should provide enhanced security over 2G systems in the area of SS7 network security due to the increased threats due to the predicted larger Multi-Operator environment. Important SS7 MAP signalling has now been protected in 3G systems. The associated Automatic Key Management mechanisms were not completed due to missing interfaces and protocols in the Core Network Specifications.

7. High Speed Downlink Packet Access

Acronyms: Global acronym: HSDPA

Unique_ID: HSDPA: 2476

References for WIs "High Speed Downlink Packet Access"

| Document | Title/Contents |
|---|--|
| RAN_Work_Items_History | WI Sheet "Physical layer" |
| RAN_Work_Items_History | WI Sheet "Layer 2 and 3 aspects" |
| RAN_Work_Items_History | WI Sheet "Iub/Iur aspects" |
| RAN_Work_Items | WI Sheet "High Speed Downlink Packet Access" |
| RAN_Work_Items | WI Sheet "RF Radio Transmission/ Reception, System Performance Requirements and Conformance Testing" |
| RP-020505 | Latest Status report |
| Impacted specifications | |
| 25.201, 25.211, 25.212, 25.213, 25.214, 25.221, 25.222, 25.223, 25.224, 25.301, 25.302, 25.303, 25.306, 25.321, 25.331, 25.401, 25.420, 25.422, 25.423, 25.424, 25.425, 25.426, 25.430, 25.432, 25.433, 25.434, 25.435, 25.442, 25.133, 25.123, 25.104, 25.105, 25.101, 25.102, 25.141, 25.142. | |
| New Dedicated Specifications | |
| TR 25.308 | "HSDPA Overall description, Stage 2" |
| TR 25.858 | "HSDPA Physical layer aspects" |
| TR 25.877 | "HSDPA Iur/Iub protocol aspects" |

High Speed Downlink Packet Access (HSDPA) is a feature based on a downlink shared channel, data only, that allows data rates of up to 10 Mb/s. It is designed to support services that require instantaneous high rates in the downlink and lower rates uplink (also called "reverse link"). This feature also allows to decrease the level of retransmissions (at the Radio Link and hence higher layers), in turn allowing the reduction of delivery time. Examples of end-user services using HSDPA are Internet browsing and video on demand.

⁴ This Feature was originally targeted for Release 4, but was not completed in the Core Network and subsequently moved to Release 5. It kept its original number given during the year 2000.

⁵ 33.103 and 33.105 do not appear in Release 5. They have to be added.

The HSDPA feature in Release 5 is the result of a study carried out in the Release 4 time frame. This study considered a number of techniques in order to provide instantaneous high speed data in the downlink. Some of the considerations taken into account in the evaluation of the different techniques were:

- The focus shall be on the streaming, interactive and background services.
- Priority shall be given to urban environments and then to indoor deployments. However, the techniques shall not be limited to these environments and full mobility shall be supported.
- The techniques should be compatible with advanced antenna and receiver techniques.
- The choice of techniques (such as HARQ) shall take into account User Equipment processing time and memory requirements.
- An evolutionary philosophy shall be adopted as opposed to a revolutionary one in adopting new techniques and architectures.

The following technologies were evaluated:

- Adaptive Modulation and Coding schemes (AMC)
- Hybrid Automatic Retransmission Query (Hybrid ARQ)
- Fast Cell Selection (FCS)
- Multiple Input Multiple Output antenna processing (MIMO)
- Standalone Downlink Shared CHannel (Standalone DSCH)

AMC and Hybrid ARQ are the basis of Release 5 HSDPA. MIMO is under study for introduction in Release 6, and FCS and Standalone DSCH have been currently discarded but may be adopted for a longer term evolution.

7.1. Architecture

The new high speed access is based on the new High Speed-Downlink Shared CHannel (HS-DSCH) transport channel, which keeps some of the characteristics of the Release 99 DSCH. It is defined for FDD and both TDD modes. It is a time shared channel, mapped to one or more physical data channels. A new physical downlink data channels is defined (HS-PDSCH), together with an associated downlink control channel for layer 1 signalling (HS-SCCH) . An uplink signalling channel is also required, HS-DPCCH, based in the standard DPCCH.

One of the main characteristics of HSDPA is the link adaptation: the transmission scheme changes every Transmission Time Interval to adapt to the radio link conditions.

The new functionality of hybrid ARQ and HSDPA scheduling are included in a Medium Access Control (MAC) layer. In the UTRAN these functions are included in a new entity called MAC-hs, which is terminated in Node B. Two protocol configurations are possible, with or without MAC c/sh. The diagram below shows the architecture for the the first configuration:

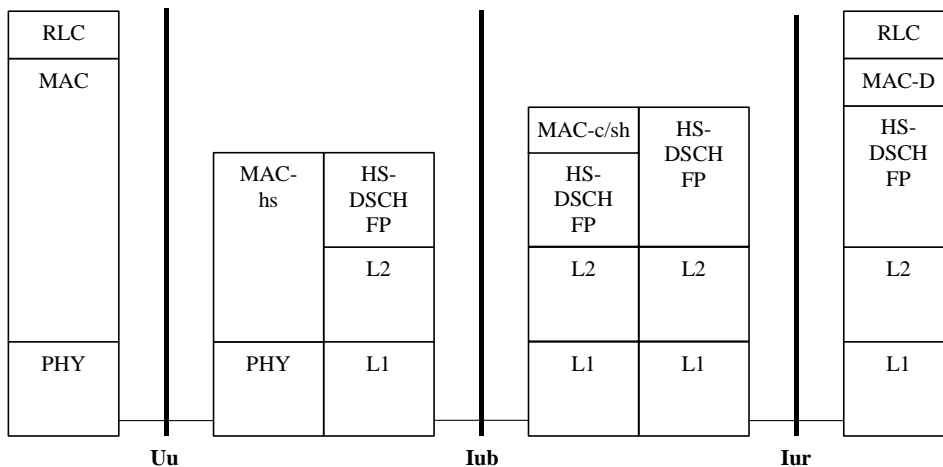


Figure 7.1: HSDPA protocol architecture with MAC c/sh

The basic transport channel configuration consists of a HS-DSCH, and an associated DPCH. In the downlink, the associated DPCH carries a HS-DSCH Indicator (HI) pointing to the shared control channel the User Equipment (UE) needs to decode. Whenever the UE has to decode one or more HS-DSCH TTIs, the HS-

SCCH channels pass the UE of the channelisation codes used in the HS-DSCH TTIs and additional information signalling.

The spreading factor of the HS-PDSCH is fixed to 16 (SF=1 also possible in TDD mode), and many HS-PDSCH can be used code-multiplexed, to different UEs or a single multi-code capable UE.

The uplink signalling consists of the acknowledgements for the Hybrid ARQ and information of channel conditions. The HS-DPCCH is used with the same spreading and modulation as a DPCH..

Various UE reference capability combinations are defined, ranging from 1.2 Mbps to 10 Mbps. Each of these reference combinations will have to support a number of HS-DSCH categories (up to 38 for 3.84 Mcps TDD) that specify the number of codes per timeslot, the minimum inter-TTI interval (FDD), the spreading factor 1 capability (TDD) and other characteristics.

7.2. AMC, adaptative modulation and coding

HSDPA uses link adaptation with several predefined combinations of modulation and channel coding. The Node B selects the modulation and the coding for each TTI for each user based on an estimate of the downlink. The UE reports in the uplink signalling a measurement of the downlink. Higher order modulations (16 Quadrature Amplitude Modulation and) will be used in good radio link conditions, lower schemes (Quadrature Phase Shift Keying and) will be used in poor radio conditions to maintain the error rate.

With a good scheduling function in the Node B, the global system bit rate can be optimised based on the particular radio link conditions of each user. This is a different in Release 99 DSCH, which had the scheduler in the RNC. This architecture would introduce too much delay for the scheduler to benefit from the link adaptation, therefore it was decided it should be moved to the Node B.

The AMC performance is very much dependent on an accurate and well-timed estimation of the link conditions for each user. As a channel estimation, the UE will report the Channel Quality Indicator (CQI). CQI is defined as the transport format the UE can receive with a Packet Error Ratio of 0.1 for the current relation between the Common Pilot CHannel power and the HS-DSCH power.

The modulation used for the Release 99 was kept for HSDPA Release 5 (QPSK). In addition, a higher modulation (16 QAM) was introduced, optional for the UE for the Release 5.

7.3. Hybrid ARQ

Automatic Retransmission Query (ARQ) is an error detection mechanism used in the link layer. Basically, the receiver informs the transmitter that a block has been received incorrectly and the transmitter resends it. It can be done with a Stop and Wait (SAW) procedure, where the transmitter sends a block and waits for the receiver response before sending a new block or resending the incorrect one. This is not very efficient, since the transmitter is inactive until it gets a response. It can be improved with the dual channel SAW, where two SAW instances work alternatively in the same channel. The solution used for HSDPA is N-channel SAW, which is a generalised version of the dual channel and can be used by multiple users.

Hybrid ARQ is a combination of ARQ and Forward Error Correction (FEC). The erroneous blocks are kept and are used for a combined detection with the retransmissions. There are various types: Code Combining, Incremental Redundancy (IR), Chase combining.

HSDPA will use IR and Chase combining. In the former method, successive retransmissions of an erroneous block are sent with additional redundancy that is increased with each retransmission; with Chase combining, the retransmissions are identical to the original but when combined for detection, they are weighted with their SNR.

The selection of the ARQ methods was based on the memory requirements in the UE and the associated signalling.

8. Intra Domain Connection of RAN Nodes to Multiple CN Nodes (Iuflex)

Acronym: IUflex
 UID: 2243

References for WI "IU Flex"

| Document | Title/Contents |
|-------------------------------------|---|
| WIDs | |
| RAN_Work_Items_History | WI Sheet |
| SP-000619 | Intra Domain Connection of RAN Nodes to Multiple CN Nodes |
| RP-020147 | Final Status report |
| Impacted Specifications | |
| | TBP |
| New Dedicated Specifications | |
| TR 25.875 | "NAS Node Selection Function" |
| TS 23.236 | Intra Domain Connection of RAN Nodes to Multiple CN Nodes - Stage 2 |

This Feature introduces the ability to connect RNCs to more than one MSC and to more than one SGSN. By such, it introduces the ability to provide load sharing between MSCs (or between SGSNs) to improve the efficiency of hardware utilisation further.

In earlier releases, an RNC can only be connected to one MSC and/or one SGSN. This has some drawbacks:

- When an RNC has a relatively large capacity compared to that of the MSC/SGSN, there are frequently significant wastages of hardware;
- Regarding network signalling traffic, with more MSC-server/SGSNs in a network, there are more inter-MSC-server/SGSN registration updates. The signalling associated with these inter MSC-server/SGSN updates causes additional load on Core Network signalling: MSC-servers, SGSNs, HLRs, and on the radio interface signalling channels.

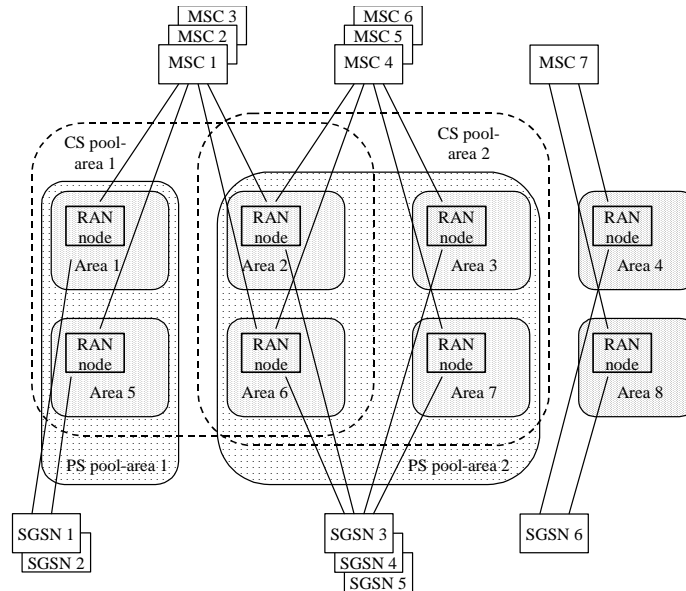
With this feature and the resulting ability to connect RNCs to more than one MSC and to more than one SGSN, above problems are reduced thanks to load sharing between MSCs (SGSNs). The solution relies on a routing function placed in the RNC. The basic principle is that the MS communicates with the same CN Node even when moving in different RNC areas, as long as the MS keeps moving in the same "Pool Area" (defined below).

This new concept is an architectural option for any PLMN. Its deployment, or non-deployment, by one network operator does not place requirements on other network operators.

Note that this feature does not allow different "core network operators" to share a same radio access network: this is covered by the "Network Sharing" feature in Release 6 and for some specific cases in Release 5 as explained in next section.

The following concepts are introduced:

Pool Area: collection of one or more MSC or SGSN serving areas within which a UE may roam (in both idle and connected modes) without need to change the serving CN node (i.e. MSC-server or SGSN). A Pool Area is served by one or more CN nodes in parallel. Pool areas are configured separately for the CS and PS domains. The following figure shows an example.



Example of a pool area

NNSF (NAS (Non Access Stratum) Node Selection Function) The NAS Node Selection Function is used in RAN nodes and potentially in CN nodes. In the RAN node the function selects the specific CN node (i.e. MSC or SGSN) to which initial NAS signalling messages are routed. The NRI identifies the specific CN node.

The **Network Resource Identifier (NRI)** uniquely identifies an individual CN node out of all CN nodes which serve in parallel a Pool Area. In areas where Pool Areas overlap the NRI uniquely identifies a CN node out of all CN node which serve all these overlapping Pool Areas, i.e. an NRI uniquely identifies a CN node within a RAN node.

This functionality was also added to GERAN, where BSCs (instead of RNCs) can be connected to several MSCs and/or SGSNs..

In particular, TS 43.051 is impacted by the introduction of support for IDNNS in GERAN Iu mode, TS 48.016 by the use of Gb interface concepts when a network applies IDNNS, and TS 48.018 to include MSC/VLR identity in CS IMSI paging.

9. UTRAN sharing in connected mode

Acronym: NETSHARE
 UID: 23004

References for WI "UTRAN sharing in connected mode"

| Document | Title/Contents |
|-------------------------------------|---|
| WIDs | |
| RAN_Work_Items_History | WI Sheet |
| RP-020499 | Final Status report |
| Impacted Specifications | |
| | TBP |
| New Dedicated Specifications | |
| TR R3.012 | Internal TR on Shared Network Support in Connected Mode |

Release 99 and Release 4 specifications include mechanisms in both Core Network and UTRAN to provide a UE specific access restrictions for Location Areas of the current PLMN and other PLMNs when the UE is in Idle Mode. These mechanisms can be used to implement shared network solutions in which, based on roaming agreements, the access restrictions to be applied may be different for different UEs. However, insufficient mechanisms are specified to provide similar access restrictions in Connected Mode. In Connected Mode the UE mobility is handled by UTRAN and it does not have the necessary information, such as roaming agreements, to provide a consistent access restriction handling in Connected Mode.

This Work Item has identified four different solutions to enforce the same access restrictions in Connected Mode as for Release 99 in Idle Mode, of which the solution based on Shared Network Areas (SNAs) has been chosen.

10. IP Multimedia CN Subsystem (IMS)

Global Acronym: IMS

Unique_ID: As listed in the table below

References for WI "IP Multimedia CN Subsystem (IMS)" (main lines of the WP)

| Unique_ID | Name | Acronym | Impacted TS/TR | WID |
|-----------|---|--------------|---------------------------------|-----------|
| 1273 | Provisioning of IP-based multimedia services | IMS | | SP-000216 |
| 1274 | Call control and roaming to support IMS in UMTS | IMS-CCR | | SP-010339 |
| 1633 | Stage 1 | | 22.228 | |
| 1514 | Stage 2 (Architecture and Main flows) | | 23.228, 23.002 | SP-000289 |
| 1296 | Impact on MM/CC/SM | IMS-CCR-IWMM | | NP-010434 |
| 2233 | SIP Call Control protocol for the IMS | | TS 24.228, TS 24.229, TS 23.218 | NP-010643 |
| 1998 | IMS signalling flows | | TS 24.228 | |
| 1278 | IMS stage 3 | | TS 24.229 | |
| 2255 | IMS Session Handling; stage 2 | | TS 23.218 | |
| 1290 | Addressing | | | |
| 2530 | Service Examples | IMS-Sex | 22.928 | |
| 2531 | IMS Framework Report | IMS-FrWk | 22.941 | |
| 1298 | Access Security for IMS | IMS-ASEC | | SP-010323 |
| 33000 | SA3 task | | | |
| 43000 | IMS impacts on UICC (ISIM application) | | | TP-010251 |
| 11014 | SIP extensions for Integrity protection | | | |
| 2574 | Security Aspects of Requirement for Network Configuration Independence | SEC1-NCI | | SP-010324 |
| 1299 | Lawful interception | IMS-LI | | SP-010621 |
| 35007 | Charging and OAM&P for IMS | IMS-OAM | 32-series | SP-010461 |
| 2036 | Multimedia codecs and protocols for conversational PS services | IMS-CODEC | 26.235, 26.236 | SP-000398 |
| 2039 | Codecs | | 26.235, 26.236 | SP-000398 |
| 34020 | Transport protocols | IMS-CODEC | 26.236 | |
| 34006 | recommendation for QoS parameter values for various media types | | | |
| 32003 | SIP message compression | | | |
| 32004 | Stage 2 | | | |
| 11015 | Compression signalling | | | |
| 10001 | Stage 3 description of IMS interfaces | | | NP-010626 |
| 1310 | Support of VHE/OSA by entities and protocols of the IMS (e.g. CSCF) | IMS-ONOSA | 29.198, 29.998 | NP-010692 |
| 12000 | CAMEL control of IMS services | IMS-CAMEL | 23.278, 29.278 | NP-020305 |
| 31002 | Pre-pay/real-time charging in IMS | | | |
| 35005 | Charging | OAM-CH | 32.2xy | SP-010631 |
| 32006 | Charging Implications of IMS architecture | | | SP-010519 |
| 35006 | Charging management for IMS (off-line & on-line) | OAM-CH | | |
| 1844 | Conformance Test Aspects - Provisioning of IMS | IMS-TEST | | |
| 41004 | Testing of support for IMS - prose | | 34.108, 34.123 | TP-020246 |
| 41005 | Testing of support for IMS - TTCN | | 34.108, 34.123 | TP-020246 |

10.1. Overview

The objective of this feature is to support applications involving multiple media components per session in such a way that the network is able to dissociate different flows with potentially different QoS characteristics associated to the multimedia session. These applications are called IP Multimedia applications (or "services"). Examples of such applications are multimedia session offering the possibility to add and drop component(s) such as video, audio, end users, or tools as shared online whiteboards.

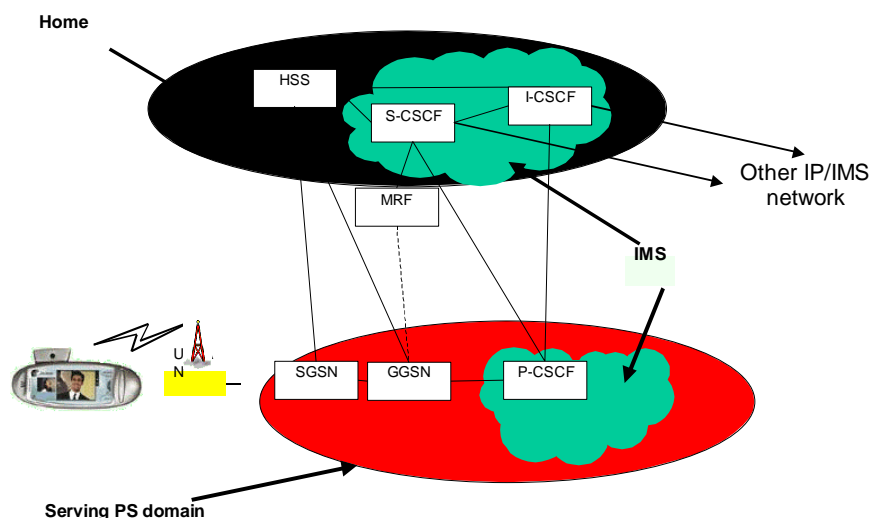
The impact on the network is the creation of a set of new entities dedicated to the handling of the signalling and user traffic flows related to these applications. This set is called the "*IP Multimedia CN subsystem*" (IMS). All IMS entities are located in the Core Network. The impact on non-IMS specific network entities is kept as low as possible.

The fixed Internet multimedia call control "Session Initiated Protocol" (SIP) defined by IETF is chosen as IMS main protocol for its flexible syntax and as to facilitate development and interconnectivity between 3GPP networks and fixed IP networks.

To transport IMS signalling and user data, IMS entities use the bearer services provided by the PS domain and the UTRAN, referred to as the "bearer network"⁶ in the IMS specifications. With some exceptions, the PS domain and the AN domain consider IMS signalling and IMS applications flows as user data flows, hence the minimum impact on non-IMS entities. As part of the bearer services offered by the PS domain to the IMS, the PS domain supports the handover functionality for maintaining the service while the terminal changes the location. IMS can theoretically be used "on top of" other bearer networks than PS domain, but this is not defined in Release 5.

10.2. Main entities

An overview of the IMS architecture is provided below:



Overview of IMS architecture

The key entities of IMS are:

- Proxy-Call State Control Function (P-CSCF): this is the "first contact point" of IMS. It is located in the same network as the GGSN (visited or home network, shown as being in the visited network in the figure above). Its main task is to select the I-CSCF of the Home Network of the user. It also performs some local analysis (e.g. number translation, QoS policing,...).
- Interrogating-CSCF (I-CSCF): this is the "main entrance" of the home network: it selects (with the help of HSS) the appropriate S-CSCF.
- Serving-CSCF (S-CSCF): it performs the actual Session Control: it handles the SIP requests, performs the appropriate actions (e.g. requests the home and visited networks to establish the bearers), and forwards the requests to the S-CSCF /external IP network of other end user as applicable. The S-CSCF might be specialised for the provisioning of a (set of) service(s).
- In addition, many interworking functions and entities not shown on the figure are defined for interconnection with legacy networks (PSTN, GSM, GSM+GPRS, UMTS, etc.) as BGCF, T-SGW, IM-MGW, R-SGW... Note that the name of an IMS-capable HLR is changed into "HSS" (Home Subscriber Server).

10.3. Conversational services and Codec aspects

Within the IMS feature, a work item ensures that default conversational multimedia services can be provided in the PS domain. The WI defines the necessary default codecs and components for a mobile PS conversational multimedia service, for example voice, audio-visual and text conversation.

The definition of default codecs for conversational PS services offers a guaranteed interoperability across terminals and networks. Other advantages are that consistent QoS can be more easily provided, optimum coding will help to

⁶ the "bearer network" is also called "access network" in some documents but this terminology is avoided in this document as leading to confusion with UTRAN

minimise the use of the radio resource, and codecs can be implemented efficiently, improving battery life, reducing manufacturing cost, and exploiting overlap with other services.

TS 26.235 contains the set of default codecs for PS conversational multimedia applications within the IMS. Visual and sound communications are specifically addressed. The intended applications are assumed to require low-delay, real-time functionality.

It should be noted that the standardisation of default codecs will not stop the use of other codecs through the network if the end user or end application require it.

In addition to the specification of default codecs, elements of protocols for bearer control, transport protocols and session protocols are defined for conversational PS multimedia services.

TS 26.236 contains the required protocol usage within 3GPP specified Conversational PS Multimedia Services which is IMS-based. IMS, as a subsystem, includes specifically the conversational IP multimedia services, whose service architecture, call control and media capability control procedures are defined in TS 24.229, and are based on the 3GPP adopted version of SIP.

The individual media types are independently encoded and packetised to appropriate separate Real Time Protocol (RTP) packets. These packets are then transported end-to-end inside UDP datagrams over real-time IP connections that have been negotiated and opened between the terminals during the SIP call as specified in TS 24.229.

The UEs operating within IMS need to provide encoding/decoding of the derived codecs, and perform corresponding packetisation/depacketisation functions. Logical bound between the media streams is handled in the SIP session layer, and inter-media synchronisation in the receiver is handled with the use of RTP time stamps.

10.4. Other aspects

All other system aspects related to the introduction of the IMS are covered in the 3G standard, as:

- Access Security for IMS
- Integrity protection
- Security of SIP signaling between network nodes
- User authentication
- Lawful interception
- SIP Compression
- Charging
- IMS to CS interworking (basic aspects, other ones addressed in later release)
- CAMEL in IMS
- Header compression in UTRAN and GERAN (will re-use RoHC)

11. Extended Transparent End-to-End Packet Switched Mobile Streaming Applications ("Extended Streaming")

Acronym: PSS-E

UID: 34001

References for WI " Extended Transparent End-to-End Packet Switched Mobile Streaming Applications ("Extended Streaming")"

| Document | Title/Contents |
|-------------------------------------|---|
| WIDs | |
| SA4_Work_Item_History | SP-010392 |
| Impacted Specifications | |
| TS 22.233 | Services Requirements for Extended Transparent End-to-End packet Switched Streaming Service (PSS-E) |
| TS 26.233 | PSS Stage 2 |
| TS 26.234 | PSS Codec aspects |
| New Dedicated Specifications | |
| TS 26.937 | RTP usage model |

Following on from the Simple Streaming specifications developed under Release 4, more advanced aspects were addressed under Release 5, in a number of domains which are listed below.

The components of a mobile multimedia content delivery service, including streaming protocols, media transport protocols, multimedia codecs, are standardised.

In particular, this feature covers:

Service optimisation: consideration of device capabilities and user preferences in the optimisation of multimedia content delivery

Enhanced transport aspects: consideration of improved robustness and flexibility in the delivery of multimedia content:

- Adaptation to network conditions
- Adaptation to network type (GERAN, UTRAN)
- Enhanced streaming transport mechanisms
- Up-streaming

Multimedia media types: consideration of additional and enhanced media types and scene description:

- Graphics (2D, 3D)
- Synthetic Audio (eg MIDI)
- Enhanced audio and video codecs (eg higher levels and profiles and/or new codecs)
- Enhanced scene description (eg new features and/or functionality)
- Metadata

Interworking with MMS: consideration of the various modes in which PSS-E may be utilised and the impact on other services and network elements:

- File download
- Up-streaming
- File formats

Interoperability: consideration of interoperating with the Internet:

- File Formats
- Codecs

Commercial factors: consideration of the importance of rights management, security and charging aspects in the commercial implementation of PSS-E.

The Extended Streaming solution provides full backwards compatibility with the Release 4 Simple Streaming solution. Impact of handover over Streaming is considered.

12. OSA improvements

Acronym: OSA2
UID: 501637

References for WI "OSA improvements"

| Document | Title/Contents |
|-------------------------------------|---|
| WIDs | |
| SP-000216 (S1-000447) | Scope of Open Interface for Service Provision in Release 5 (SA1) |
| SP-000302 | OSA security (SA3) |
| NP-010692 | Work Item Description OSA Stage 3 Release 5 (CN5) |
| Impacted Specifications | |
| 22.127 | Service Requirement for the Open Services Access (OSA); Stage 1 |
| 23.127 | Virtual Home Environment (VHE) / Open Service Access (OSA); Stage 2 |
| 29.198-01 | OSA API; Part 1: Overview |
| 29.198-02 | OSA API; Part 2: Common data |
| 29.198-03 | OSA API; Part 3: Framework |
| 29.198-04 | OSA API; Part 4: Call control |
| 29.198-05 | OSA API; Part 5: Generic user interaction |
| 29.198-06 | OSA API; Part 6: Mobility |
| 29.198-07 | OSA API; Part 7: Terminal capabilities |
| 29.198-08 | OSA API; Part 8: Data session control |
| 29.198-11 | OSA API; Part 11: Account management |
| 29.198-12 | OSA API; Part 12: Charging |
| 29.998-01 | OSA API Mapping for OSA; Part 1: General Issues on API Mapping |
| 29.998-04-1 | OSA API Mapping for OSA; Part 4: Call Control Service Mapping; Subpart 1: API to CAP Mapping |
| 29.998-05-1 | OSA API Mapping for OSA; Part 5: User Interaction Service Mapping; Subpart 1: API to CAP Mapping |
| 29.998-05-4 | OSA API Mapping for OSA; Part 5: User Interaction Service Mapping; Subpart 4: API to SMS Mapping |
| 29.998-06 | OSA API Mapping for OSA; Part 6: User Location and User Status Service Mapping to MAP |
| 29.998-08 | OSA API Mapping for OSA; Part 8: Data Session Control Service Mapping to CAP |
| New Dedicated Specifications | |
| 29.198-04-1 | OSA API; Part 4: Call control; Subpart 1: Common call control data definitions |
| 29.198-04-2 | OSA API; Part 4: Call control; Subpart 2: Generic call control data SCF |
| 29.198-04-3 | OSA API; Part 4: Call control; Subpart 3: Multi-party call control data SCF |
| 29.198-04-4 | OSA API; Part 4: Call control; Subpart 4: Multimedia call control SCF |
| 29.198-13 | OSA API; Part 13: Policy management SCF |
| 29.198-14 | OSA API; Part 14: Presence and Availability Management (PAM) |
| 29.998-04-4 | OSA API Mapping for OSA; Part 4: Call Control Service Mapping; Subpart 4: Multiparty Call Control ISC |

Open Service Access (OSA) offers opportunities for the creation of value-added services by third parties.

OSA enables service application developers to make use of network functionality through open, standardised, secure, extensible and scalable interfaces. Applications see the network functionality offered to them as a set of Service Capability Features (SCFs) in the OSA API. These SCFs provide access to the network capabilities on which the application developers can rely when designing their applications. The OSA API is independent of where or which network capabilities are implemented in the network, and of vendor-specific solutions and programming languages.

A secure OSA API is a key enabler for the Virtual Home Environment (VHE) system concept, which requires users to be consistently presented with the same personalised services in whatever network and terminal, subject to the capabilities of both.

This feature enhances the OSA interface for the communication between Applications and Service Capability Features (SCF), based on the following Release 5 network capabilities within the Core Networks:

- *Call Control (IP)*: Takes into account the development of the IP multimedia scenario and addresses the Call Control capabilities based on SIP and/or H.323.
- *E-Commerce*: Takes into account the capabilities provided by the network to use the capabilities provided by the post processing of the charging capabilities (e.g. E-Pay). It also involves the enhancements of the security to be provided by the network work and by the application.
- *User Location*: Further integration of the Location Services within the provisioning of geographical positioning information, taking into account the evolution of the 3G networks associated with this capability.
- *Terminal Capabilities*: A mechanism that is applicable to all types of terminals was introduced (not limited to WAP phones). Security mechanisms for the display of terminal capabilities information were added.
- *Enhanced User Profile Management*: Integration of Personal Service Environment Management (PSEM) within the Network and Framework SCFs
- *Enhanced Session Control*: Enhancements of the bearer manipulation and creation of bearers/sessions (in

particular QoS negotiation).

With respect to the charging aspects, the OSA API offer sufficient charging options to supervise user activities for online charging features, allow applications to access the online account, allow applications to add charging information to network based charging records, and to inform applications on network based charging event.

With respect to the security aspects, the OSA API provide security facilities to guarantee secure access to user confidentially information. Sensitive information has to be prevented from unauthorised access.

The results of this work item (stage 1, 2 and 3 specifications) are harmonised with external bodies (ETSI SPAN and Parlay).

13. CAMEL phase 4

Acronym: CAMEL4

UID: 1638

References for WI "CAMEL4"

| Document | Title/Contents |
|-------------------------------------|----------------------------------|
| WIDs | |
| NP-030486 | CAMEL4 scope in Rel-5 for TSG-CN |
| Impacted Specifications | |
| TS 22.078 | CAMEL - Stage 1 |
| TS 23.078 | CAMEL – Stage 2 |
| TS 29.078 | CAMEL – Stage 3 |
| New Dedicated Specifications | |
| TS 23.278 | CAMEL/IMS – Stage 2 |
| TS 29.278 | CAMEL/IMS –Stage 3 |

CAMEL feature (Customised Applications for Mobile network Enhanced Logic) is a network feature that provides the mechanisms to support services of operators which are not covered by standardised services even when roaming outside the HPLMN.

CAMEL phase 4 (or "CAMEL4") contains the functions of CAMEL3 plus the Release 5 additions. All Release 5 CAMEL addition are applicable to GSM and UMTS networks, except when otherwise stated. CAMEL procedures are usable for CS services and PS services, as appropriate.

A functional entity (VMSC, GMSC or SGSN) may support the complete CAMEL phase 4 functionality or, as a network option, it may support the complete CAMEL phase 3 functionality and a partial implementation of CAMEL phase 4. This capability is called "Handling of partial implementation of CAMEL4" (previously known as "CAMEL4 Functional split into subsets").

CAMEL4 feature supports, in addition to CAMEL3:

- *Support of CAMEL by the IMS* (see also IMS): The capability for the CAMEL Service Environment (CSE) to control sessions in the IMS is added. If the IMS decides to contact the CSE, the IMS shall suspend the handling of the session and wait for instructions from CSE. The CSE may instruct the IMS to bar, continue or redirect the IMS session or to perform other actions like to arm subsequent events, perform charging-related activity, perform user interaction (such as play announcement/tone and prompt and collect digits). Support of CAMEL by the IMS is seen as useful implementation option for IMS pre-paid service in order to use existing pre-paid platforms.
- *Interactions with Optimal Routing*: This enhancement allows the CSE to control the usage of Optimal Routing (OR).
- *CAMEL control over Mobile Terminating Short Message Service (MT SMS)*: This allows CSE control of the MT SMS both in CS and PS. Basically, the VPLMN informs the CSE of a Short Message delivery attempt to the MS and waits for further instruction before continuing processing of the SM. The following CSE control of the MT SMS functionalities are seen particularly useful: CSE monitoring of successful MT SMS for pre-paid, MT SMS charging while roaming, MT SMS charging when primary rate information is received successfully, CSE controlled free format charging data, CSE barring of MT SMS.
- *Provision of location information of called subscriber*: When a terminating call is subject to CAMEL based services, the location of the called subscriber was given at the initial contact from the network to the CSE. For some services this location information was not sufficient and precise enough. Therefore this functionality was added to provide the location information of B-subscriber to the service logic at the beginning of the call (alerting phase).

- *Inclusion of ODB data in the CSE-HLR interface:* Operator Determined Barring (ODB) data is included for CS and PS in Any Time Modification (ATM) as to make it possible for the CSE (gsm-SCF) to directly instruct the HLR to bar the call or remove the barring online.
- *Inclusion of flexible tone injection.* This introduces enhancements of pre-paid warning tones and various informative tones.
- *Call Party Handling.* This introduces a method of manipulating call legs which includes creating new parties in a call, placing individual call parties on hold, reconnecting them to the group of call parties and disconnecting individual call parties. The purpose of CPH is to support services such as conference call, wake-up calls, parallel hunting and IN based CCBS (Call Completion to Busy Subscriber).
- *Notification of GPRS mobility management to CSE:* this allows the CSE to monitor the location of the mobile subscriber in PS. Mobility Management for GPRS CAMEL Subscription Information (MG-CSI) is downloaded from the HLR to the VPLMN and is used to notify the CSE about Mobility Management events for the GPRS subscriber.
- *Location information during an ongoing call.* The position of a subscriber is the key to a lot of location-based applications. The position of the subscriber was already available when a subscriber is known at the network and when status is idle or when he/she starts a call, but this functionality is introduced to report the location if MS makes a handover during ongoing CS call. For PS calls, CAMEL3 was already enhanced to deliver similar procedures. One of reasons for introduction of this functionality in CAMEL4, from the service continuity point of view, is the provision of services when a subscriber changes from a 2G network to a 3G network and back. To try the best approach offering the same set of services, the fact of “changing location” should be brought to the CSE attention. This functionality enables charging based on current location for inter-PLMN and/or inter system handovers.
- *GPRS Any Time Interrogation.* Any Time Interrogation is enhanced to support GPRS location and state query. The CSE may request the HLR at any time to provide subscriber status information and/or location information.
- *Mid call procedure for MO and MT calls:* Triggering during the Mid-Call Event Detection Point is a capability used for Call Party Handling. The VPLMN notifies the CSE upon detection of the DTMF sequence, and waits for further instruction from the CSE. The CSE service logic defines the DTMF sequences of interest. This allows the CSE to instruct the VPLMN to play tones and/or announcements (using local tone generators) to any held party while in the active phase of the call. This also allows prompt-and-collect user interaction with any held party while in the active phase of the call.
- *Transfer of the IMEI (with software version) to the CSE.* The MS classmark and IMEI (including the software version) of the Mobile Equipment (ME) allow the gsmSCF to determine information about the capabilities of the ME, which can be useful to service logic designers. The CSE queries the HLR for the IMEI information via the Any Time Interrogation operation.

14. MExE Enhancements Rel-5

Acronym: MEXE5
 Unique_ID: 2464

This feature is composed of a single item called "Mobile Execution Environment (MExE) Rel-5 Improvements and Investigations". This is due to historical reasons (in Release 4, there were several items under MExE enhancements). As to avoid purely administrative work, this cleaning up was not made, so the hierarchical structure was kept even if it is not valid anymore.

14.1. MExE Rel-5 Improvements and Investigations

Acronym: MEXE5-ENHANC
 Unique_ID: 2466

References for WI "MExE Rel-5 Improvements and Investigations"

| Document | Title/Contents |
|-------------------------------------|--|
| WIDs | |
| TP-010071 | MExE Rel-5 Improvements and Investigations |
| Impacted Specifications | |
| TS 22.057 | Mobile Execution Environment, stage 1 |
| TS 23.057 | Mobile Execution Environment, stage 2 |
| New Dedicated Specifications | |
| | None |

The MExE Release 5 work extends and develops the UE-based support of the client/server model for the flexible support of 3G services (e.g. multimedia services).

The main enhancement is ECMA⁷ "Common Language Infrastructure (CLI)" support as Classmark 4. CLI provides a language-neutral, CPU and OS portable, secure infrastructure for executing applications and services that interoperate seamlessly with highly available web services. The CLI Compact Profile provides a mobile client-focussed subset of these services on a broad market of connected devices. Using multiple programming languages for application and service creation allows adoption of a large pool of programming talent, as well as interoperability between existing service components.

15. Wideband Adaptative Multi Rate Codec

Acronym: WAMR

Unique_ID: 1625

References for WI "Wideband AMR"

| Document | Title/Contents |
|--|---------------------|
| WIDs | |
| SA4_Work_Item_History | SP-99354, GP-000453 |
| Impacted Specifications | |
| TS 26.131 | CN1 aspects |
| TS 26.132 | CN4 aspects |
| New Dedicated Specifications | |
| TS 26.171 to 26.194, 26.201, 26.976 | |

Existing narrow-band speech codecs achieve good performance for narrow-band speech (audio bandwidth limited to 3.4 kHz). The introduction of a wideband speech service (audio bandwidth extended to 7 kHz) provides improved voice quality especially in terms of increased voice naturalness. Wideband coding brings speech quality exceeding that of (narrowband) wireline quality to 3G and GSM systems.

Design Constraints for the set of 9 Wideband Codec modes for wideband applications fit in 3G/UMTS and Phase 2+ GSM Systems, including EDGE. Three or five AMR wideband codec bit rates, depending on the modulation, GMSK, or 8-PSK, can be used in GERAN (see TS 45.003).

Performance Characterisation in 3G and GSM Radio Access of the WB codec is given in TS 26.976.

Note that this feature does not include WB Conferencing and WB Voice Group calls.

16. Terminal Interfaces

Acronym: TI

Unique_ID: 1826

Consists of the Building Block "Terminal Local Model enhancements". Again, some historical reasons explain the odd structure.

16.1. Terminal Local Model enhancements

Acronym: TLM5

Unique_ID: 2573

⁷ European Computer Manufacturer Association

References for WI "Terminal Local Model enhancements "

| Document | Title/Contents |
|-------------------------------------|---|
| WIDs | |
| TP-010224 | Terminal local model enhancements |
| Impacted Specifications | |
| TS 23.227 | Application and User interaction in the UE - Principles and specific requirements |
| New Dedicated Specifications | |
| | None |

The present rapid development of a diversity of new applications and application environments for mobile usage creates a complexity of previously unseen proportions that the UE has to handle. These applications and application environments co-exist and execute independently in the UE, and thus have the potential to interact with each other in a way that could be detrimental to the positive user experience and sense of user control of the UE. There is a need to control and manage the total applications/interfaces environment and MT resources so as to produce a conceptually consistent and logically whole and integrated user experience.

The work resulting from the feature Terminal Local Model enhancements is the document TS 23.227 which outlines a generic model for the interaction between these applications. It further specifies a set of basic principles and requirements for these applications to co-exist on the UE. The document does not categorise the applications peripherals, but structure the events that are internal and external to, and has to be handled by, the MT Core Functions. This means that the structure or grouping of the events is made from a MT centric perspective. Some applications run on the UE side have counterparts in the network. The document addresses the interactions within the UE.

TS 23.227 was created in Release 4. The enhancement made in Release 5 is the addition of the interaction requirements for USAT bearer independent protocol via local links.

17. (U)SIM toolkit enhancements

Acronym: USAT1/USAT1 Interpr
 Unique_ID: 501800, 1801

References for WI "(U)SIM toolkit enhancements"

| Document | Title/Contents |
|-------------------------------------|---|
| WIDs | |
| TP-000116 | Protocol Standardisation of a SIM Toolkit Interpreter |
| Impacted Specifications | |
| TS 11.14 | Specification of the SIM Application Toolkit for the Subscriber Identity Module - Mobile Equipment, R99 |
| TS 51.014 | Specification of the SIM Application Toolkit for the Subscriber Identity Module - Mobile Equipment, R99 |
| TS 31.111 | USIM Application Toolkit (USAT) |
| New Dedicated Specifications | |
| TS 22.112 | USAT Interpreter, stage 1 |
| TS 31.112 | USAT interpreter; stage 2; Architecture description |
| TS 31.113 | USAT interpreter; stage 3; Byte Codes |
| TS 31.114 | USAT interpreter; Protocol administration |

The objective of the general work item on "(U)SIM toolkit enhancements" is to provide an umbrella work item for the various enhancements carried out on the existing set of SIM and USIM toolkit specifications. For Release 5 such enhancements include the possibility to display toolkit menus in colour and various text formats as well as the extension of the Call Control feature to GPRS.

The work item on "(U)SAT Interpreter protocol" describes the development of new specifications to standardise protocols for (U)SIM resident (U)SIM Toolkit interpreters. The intention was to substitute the existing collection of proprietary specifications which have varying degrees of service delivery and fraud resistance.

The USAT Interpreter makes Mobile Operator services, based on USAT functionality and USIM based security functionality, available to an internet environment. This is achieved by specifying the necessary components and protocols for a secure narrow band channel between the internet application and an USAT Interpreter on the USIM. The actual application could be developed using the application language of choice. Two types of applications interfaces are used as examples, i.e., mark-up language based on WML and Remote Procedure Call (RPC).

The interpreter and the secure narrow band channel form a core platform to enable services like:

- Advanced security functionality, e.g., digital signatures in m-commerce applications
- Value added services based on position and roaming
- Controlled activation and management of other applications.

The secure narrow band channel is achieved by specifying the following:

- specific application and content related functionalities of the interface between the application system and the USAT Gateway;
- specific functionalities and protocols of the interface between the USAT Gateway and the USAT Interpreter associated with a USIM, achieved by defining a low level command set for interpretation by the USAT Interpreter;
- defined level of functionality available to the application server for the implementation of USIM based services such as PKI, location services, push and broadcast services, event based services, etc..

18. Charging and OAM&P

Acronym: OAM
 Unique_ID: 501142

References for WI "Charging and OAM&P"

| Document | Title/Contents |
|---|--|
| WIDs | |
| SP-010461 | WID for Charging and OAM&P |
| SP-010238 | WID for BB: Performance Management |
| SP-010654 | WID for BB: Charging Management |
| Impacted Specifications | |
| 32.101, 32.102 | Principles, high level Requirements and Architecture |
| 32.111-1, 32.111-2, 32.111-3, 32.111-4, | Fault Management (FM) FM; Alarm IRP |
| 32.300, 32.301, 32.302, 32.303, 32.304, 32.311, 32.312, | Configuration Management (CM); Name convention for Managed Objects CM Notification IRP Generic IRP management |
| 32.600, 32.601, 32.602, 32.603, 32.604, 32.611, 32.612, 32.613, 32.614, 32.615, 32.621, 32.622, 32.623, 32.624, 32.631, 32.632, 32.633, 32.634, 32.641, 32.642, 32.643, 32.644, 32.651, 32.652, 32.653, 32.654, | Configuration Management (CM); Concept and high-level requirements Basic Configuration Management IRP Bulk CM IRP CM Generic network resources IRP CM Core Network Resources IRP CM UTRAN network resources IRP CM GERAN network resources IRP |
| 32.401, 32.403, 52.402 | Performance Management |
| 32.200, 32.205, 32.215, 32.235, | Charging Management |
| New Dedicated Specifications | |
| 32.321, 32.322, 32.323, 32.324 | Test management IRP |
| 32.661, 32.662, 32.663, 32.664 | Kernel Configuration Management (CM) |
| 32.671, 32.672, 32.673, 32.674 | State Management IRP |
| 32.691, 32.692 | Inventory management network resources IRP |
| 32.625, 32.635, 32.645, 32.655 | Bulk Configuration Management (CM) XML file format definition |
| 32.225 | Charging data description for the IMS (IMS) |

The objective of this Feature is to continue to lay down the Charging and OAM&P Framework to be followed by the 3G Telecom Management standardisation and met by all other subsequent specifications - to be produced by all 3GPP TSGs (e.g. SA5, RAN O&M, GERAN O&M, etc. - pertinent to 3G Systems' Telecom Management).

19. GERAN enhancements

Acronym: Several

Unique_ID: Several

| Document | Title/Contents |
|---|---|
| WIDs | |
| GP-000481, GP-012752, GP-012748, GP-021256, GP-021263, GP-012313, GP-010420, GP-021767, GP-010429, GP-010430, GP-020492, GP-010431, | |
| Impacted Specifications | |
| 23.060, 29.060, 43.064, 44.060, 48.016, 48.018 | See also specific impacted specifications along the text related to individual work items |
| New Dedicated Specifications | |
| 43.130, 44.118, 44.160, 44.901 | TBP |

The different enhancements made on GERAN in Release 5 are listed here. They are not strictly speaking a feature but a collection of features.

They are described in the following sub-sections.

19.1. GERAN/UTRAN interface evolution 1: Evolution of Iu PS

GERAN will be connected to the Core Network through different interfaces, at least A, Gb and Iu-ps. Since Iu-ps is a new interface for GERAN, the requirements from a GERAN perspective on the interface were identified. This work item has identified the requirements and the proposed changes to RAN WG3, which is responsible for updating the specifications related to the Iu-ps interface. The GERAN/UTRAN interface evolution 1 work item provides the requirements on Iu-ps from GERAN perspective and the necessary actions to RAN WG3.

19.2. GERAN/UTRAN interface evolution 2: Evolution of Iu CS

Since the transition to IP multimedia services will not happen immediately, operators may need to support both traditional mobile circuit switched services and IP multimedia services simultaneously. IP multimedia services can only be delivered via the IMS of the PS domain within the GSM-UMTS CN. The ability to offer both CS and PS services via a common GSM-UMTS CN allows low-risk evolution from current networks, while enabling an operator to have full service offering. In order to connect GERAN to the 3G CN, the Iu CS interface has to be modified slightly in order to cover GERAN specific issues. The ability to map GSM/EDGE radio bearers to the CS domain for optimised voice services and to the PS domain for generic IP multimedia services is greatly desired by some operators.

The soft switch architecture (i.e. MGW/MSC Server) specified within the CS domain of the GSM-UMTS CN provides additional flexibility. Since GSM-UMTS MSC servers are not restricted to a given geographical area, they can be deployed at remote/centralised sites, reducing operations costs and complexity.

This work item mainly keeps the Iu cs in its current state as it is. However, if changes are needed they are kept at a minimum. In order to achieve this, the requirements from GERAN on the current Iu cs have been analysed and the updates to relevant specifications have been done, i.e. 08.08, 08.58, 04.18, 05.05, 05.02, 05.03.

This work item supports the Iu-cs interface connectivity.

A GSM-UMTS CN shall allow:

- Access to CS domain services independently of access to any PS domain service
- Optimised functional reuse between PS and CS domains (e.g. HR 8-PSK channel coding)
- The MS to be attached to both PS and CS domains, and the MS to support multiple simultaneous sessions (e.g. GSM DTM Release 99 feature)
- The support of CS and PS services for both UTRAN and GERAN on the same CN
- Two possible interface options between GERAN and the UMTS CN were considered to support the required functionality: 1) an A interface and/or 2) the Iu-cs interface.

19.3. GERAN Inter BSC NACC improvements over the Gb Interface

This work item improves GPRS cell reselection performance in a GPRS/EGPRS network when cell reselection is performed between cells controlled by different BSCs. TS 23.060 describes the concept.

This work item will provide enhanced quality of service regarding reduction of the service outage time at inter BSC cell reselection, reduced packet data loss at the cell-change and reduced need for re-transmission of LLC PDUs transferred during the cell change. Modification of Gb protocols for GERAN Inter BSC NACC over the Gb interface are given in TS 48.018 (Stage 3). Modification of core network protocols for GERAN Inter BSC NACC for Gb interface are given in TS 29.060 (Stage 3).

19.4. 8PSK AMR HR

This work item provides AMR narrow band speech services over 8-PSK modulated half rate channels. By this realisation it will be possible to provide all AMR modes over half rate channels, something which is not possible for GMSK, with the objective to increase the spectrum efficiency by means of 8-PSK modulation. The following specifications were changed: 43.051 Stage 2 description, 44.018 Signalling at channel setup, 45.001 L1 general, 45.002 Channels and channel combinations, 45.003 Channel coding, 45.005 Performance requirements, 51.010 MS test, 51.021 BTS test.

19.5. GERAN enhancements for streaming services 1 & 2

With the 3G alignment in place additional enhancements to increase the performance and spectrum efficiency are obtained for instance by applying limited retransmission or by reusing the ECSD coding.

This work item provides an increase of performance and spectrum efficiency.

19.6. Intra Domain Connection of RAN Nodes to Multiple CN Nodes.

See section 10 of this document.

19.7. Location Services (LCS) for GERAN in A/Gb Mode.

See section 6.3 of this document.

19.8. Real Time QoS for packet services including VoIP

In order to provide streaming and conversational services a handover mechanism is required for packet data channels. The hand-over in GERAN should fulfil the same requirements as in UTRAN; this work item concerns GERAN real time handover for packet data, i.e. the maintenance of real-time QoS while moving between cells in the PLMN including inter-SGSN change and SRNS relocation or possibly other mechanisms. See stable RT hand-over TR 25.936 including header removal.

19.9. Enhanced Power Control

The objective of this Work Item is to increase system capacity of GERAN by means of faster power control, by means of changes to 43.051, 44.004, 44.018, 48.058, 45.001, 45.002, 45.003, 45.008.

19.10. Alignment of 3G functional split and Iu

This work item provides a platform to provide the four UMTS bearer classes: conversational, streaming, interactive and background. This includes IP end-to-end voice and multimedia services and provides the possibility to connect the 200kHz radio access to a 3G core network. In particular, this work item provides:

- Alignment with UMTS/UTRAN architecture, bearer services and QoS handling
- Spectrum efficiency and performance improvements
- Specification flexibility for future enhancements

The following tasks were completed in GERAN for Release 5:

Alignment with UMTS bearer concept

- Adoption of the UTRAN PDCP
- Development of RLC / MAC
- Development of GERAN RRC
- Ciphering and integrity protection concept paper
- Multiple TBF
- Paging concept
- Dedicated physical subchannels (includes traffic and control channels)
- Iu support and broadcast concept
- Impact of using RLC instead of LAPDm concept
- Contention resolution, mobile-station identity, and access concept
- PDCP concept
- Downlink delayed TBF release
- Add transparent RLC Concept
- Handover concept

Physical layer alignment with UMTS bearer concept

- Control channels in 45.003
- Receiver performance in 45.005 for PDTCH/TCH and control channels

Iur-g interface:

Inter BSS interface

- Adoption of relevant parts from Iu r
- Complementation with GERAN specifics
- New stage 3

Inter BSS-RNS interface

- Stage 2
- Adoption of relevant parts from Iu r
- Complementation with GERAN specifics
- New stage 3

Voice over GERAN PS and CS concept

- Architecture for A, Iu cs and Iu ps
- Handover
- RTP payload

19.11. GERAN support for IMS

IP multimedia services should be provided using GERAN via the IMM domain. Specific requirements have been placed in GERAN to enable a spectrum efficient provisioning of optimised speech. This work item provides the development of header adaptation for GERAN. GERAN Radio access bearer design for IP multimedia, GERAN MS-BSS Conformance test for support of IP multimedia were not standardised.

19.12. Multiple TBF in A/Gb mode

The objective of this Work Item is to produce the necessary changes to the GERAN A/Gb mode standards to support the simultaneous use of multiple Temporary Block Flows (TBFs) by one MS.

With packet data services becoming more and more widely used, mobile stations will have to support simultaneous Packet Data Protocol (PDP) contexts with different quality of service requirements. For instance, mobile users who have a real time audio, a web browser and an e-mail application running at the same time require support for all these applications with their appropriate QoS.

It is of course possible to support multiple applications (and multiple PDP contexts) using the current standards either by mapping all of these data streams onto one TBF or by releasing a TBF and setting up a new one each time data from a different application needs to be transmitted. Both of these approaches have some limitations.

In order to multiplex multiple data streams onto one TBF they must all share the same Radio Link Control (RLC) mode. If upper layer Protocol Data Units (PDU)s utilising a different RLC mode need to be transmitted, there is no choice other than to release the current TBF and set-up a new one thus leading to delays and high signalling load. Even if the different data flows can utilise the same TBF, the smallest unit for multiplexing is the Logical Link Control (LLC) frame. The payload of an LLC frame may be up to 1520 octets. Therefore, it is not possible to multiplex an application with small packets and strict delay requirements together with an application with large packets when only one TBF is used. Thus, the requirement for multiple TBFs for GERAN is defined.

Since there is a very large installed base of BSS working in A/Gb mode, and it can be expected that this will be the case for the years to come, the introduction of multiple TBFs in A/Gb mode will allow maximum reuse of existing equipment.

IMS is being introduced in Release 5. However, the QoS provided in A/Gb mode would require some enhancements to offer improved support of IMS.

Stage 2 is described in TS 43.064. Stage 3 is described in TS 44.060. This work item is foreseen to be completed by August 2003, and the MS conformance tests by November 2003.

20. End-to-End QoS

Acronym: E2EQOS

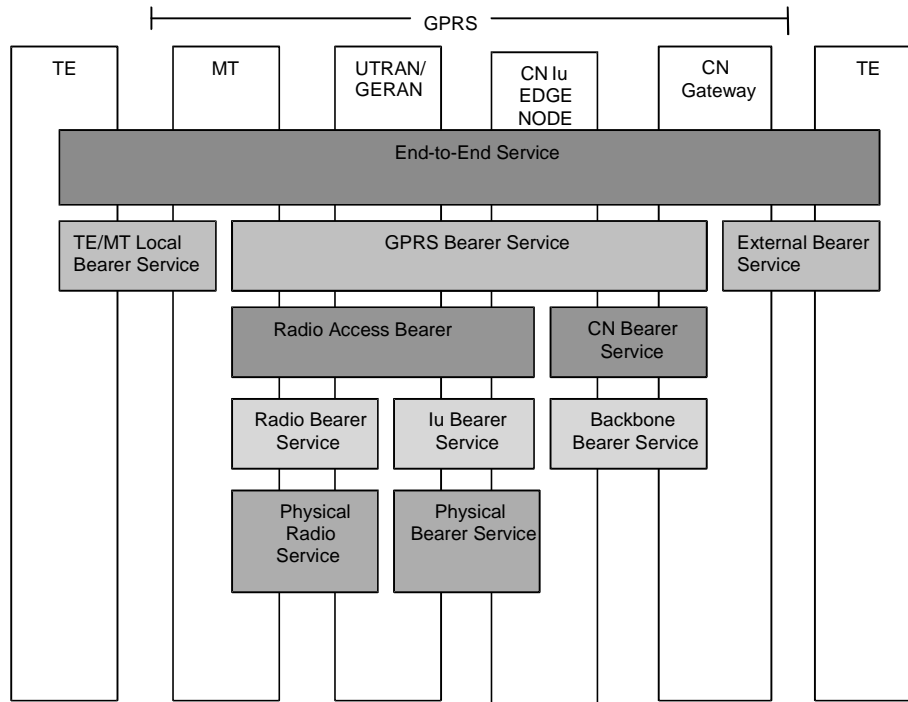
Unique_ID: 2556 (feature), 2557 to 2559 (BBs)

References for WI "End-to-End QoS"

| Document | Title/Contents |
|---|--|
| WIDs | |
| SP-010343 | WID for feature "End to End QoS for PS Domain including IMS" |
| NP-010528 | WID for BB " E2E QoS interworking" |
| SP-010461 | WID for " QoS Management (Provisioning and Monitoring)" |
| Impacted Specifications | |
| TS 29.208, 29.207, 27.060, 29.061, 24.008, 24.228, 24.229, 29.060, 29.163 | Stage 3 |
| 32-series | OAM aspects |
| New Dedicated Specifications | |
| TS 23.207 | End-to-end Quality of Service (QoS) concept and architecture |

This feature provides the framework for end-to-end Quality of Service and complements the work done in Release 4 mainly in TS 23.107 to describe Quality of Service for the "GPRS Bearer Service". The stage 2 of this feature is given in TS 23.207, which describes the interaction between the TE/MT Local Bearer Service, the GPRS Bearer Service, and the External Bearer Service, and how these together provide Quality of Service for the End-to-End Service. These different concepts are shown in the figure below. It also describes IP level mechanisms necessary in providing end-to-end Quality of Service involving GPRS networks, including possible interaction between the IP level and the GPRS level, as well as the application level and the IP level.

In contrast to the TS 23.107, TS 23.207 is only applicable to GPRS packet switched access services (i.e. it does not cover the CS access services), and includes aspects of interworking to the IMS as well as PSTN and other networks.



End-to-End QoS Architecture

To provide end-to-end QoS, an "external bearer service" has to be established and controlled between the "CN Gateway" (i.e. the GGSN) and the TE, as shown in the figure above. In the framework of this feature, this "external bearer service" is assumed to rely on IP, hence it is also called the "external IP bearer service". For the purpose of controlling it, a function call "IP BS Manager" is implemented in the GGSN and optionally also in the terminal. This function relies on Diffserv Edge Function, IP Policy Enforcement Point and optionally also on RSVP/IntServ. In the GGSN and in the UE, a translation and mapping function provides the interworking between the mechanisms and parameters used within the GPRS bearer service (also called "UMTS bearer service") and those used within the IP bearer service, and interacts with the IP BS Manager. In the GGSN, the IP QoS parameters are mapped into UMTS QoS parameters, where needed.

Another key function for end-to-end QoS is the Policy Decision Function (PDF), which task is to enable the coordination between events in the application layer and resource management in the IP bearer layer: the PDF maps the information obtained from the application level parameters (e.g. SDP) into IP QoS parameters (e.g. RSVP). This mapping is done according to the policy rules. The PDF uses standard IP mechanisms to implement Service Based Local Policy (SBLP) in the IP bearer layer. The PDF's decisions are then communicated to the IP BS Manager in the GGSN, which is the IP Policy Enforcement Point (PEP).

The PDF is a logical entity of the P-CSCF (see chapter on IMS). If the PDF is implemented in a separate physical node, the interface between the PDF and P-CSCF is not standardised.

The interface between the PDF and GGSN is specified within 3GPP and is named the Go interface. The protocol interface between the PDF and GGSN supports the transfer of information and policy decisions between the policy decision point and the IP BS Manager in the GGSN.

A last function related to end-to-end QoS is the so-called "Binding Mechanism", performed by the GGSN, the UE, and the SDP. Its role is to associate the PDP context bearer with one or more IP flows in order to support service-based local policy enforcement. The binding information containing the authorisation token and flow identifier(s) provides the binding mechanism, and is given by the UE to the GGSN in the PDP Context Activation and Modification messages.

21. Messaging Enhancements

Acronym: MESS5

Unique_ID: 2569

The Feature Messaging Enhancements consists of the two Building Blocks Multimedia Messaging (MMS) enhancements and Enhanced Messaging Service (EMS) enhancements.

21.1. Multimedia Messaging (MMS) enhancements

Acronym: MESS5-MMS
 Unique_ID: 2571

| References for WI "MMS enhancements" | |
|--------------------------------------|--|
| Document | Title/Contents |
| WIDs | |
| TP-010130 | Multimedia Messaging (MMS) enhancement |
| Impacted Specifications | |
| TS 22.140 | Multimedia Messaging Service, stage 1 |
| TS 23.140 | Multimedia Messaging Service, stage 2/3 |
| TS 26.140 | Multimedia Messaging Service, Media Formats and Codecs |
| New Dedicated Specifications | |
| | None |

After SMS and EMS, the next stage of messaging evolution is MMS, which delivers an even richer messaging experience. MMS allows users to send and receive messages exploiting a large array of the media types available today e.g. text of almost unlimited length, images, audio and video clips, while also making it possible to support new content types as they become popular. MMS supports standard image formats such as GIF (Graphics Interchange Format) and JPEG (Joint Picture Expert Group), video formats such as MPEG 4 (Motion Picture Expert Group) and audio formats and MIDI (Musical Instrument Digital Interface). Multiple media elements can be combined into a composite single message. Messages can be sent either to a mobile phone or to an e-mail address, which offers the customer a wide range of users to communicate with.

After MMS Release 99 and Release 4, further enhancements are introduced with MMS Release 5. The main enhancements are:

- *MM7 (MMS Relay/Server – MMS VAS Applications):* A standardised interface from Value Added Service Provider (VASP) to the MMSC (MMS Center) has been specified. This enables the MMS Relay/Server to support services, in addition to user-to-user messaging, that are either provided by the MMS operator or by third-party VASPs. This also includes support for MM7 charging mechanisms like VASP-related CDR generation and Support of Reply-Charging on MM7.
- *Support of persistent storage in MMS:* An optional feature of MMS is the support of persistent, network-based storage, called an “MMBox”, a logical entity associated with the MMS Relay/Server into which Multimedia Messages (MMs) may be stored, retrieved, and deleted. Depending upon an operator’s configuration, each subscriber may have her MMBox configured to automatically store incoming and submitted MMs, or, through supporting MMS User Agents, request that specific MMs be persistently stored on a case-by-case basis.
- *Introduction of address resolution mechanisms (based on ENUM or IMSI) and support for Mobile Number Portability:* For those recipients MSISDN addresses that appear in an MM and belong to an external MMSE, the originator MMS Relay/Server translates them to a routable RFC 2822 address that shall be used in the subsequent SMTP commands.
- *Enhanced interworking through Terminal Capability Negotiation:* Within a request for delivery of an MM the recipient MMS User Agent is able to indicate its capabilities towards the recipient MMS Relay/Server. The detailed definition of the specific mechanism for terminal capability negotiation shall be defined by the MM1 implementation (e.g. WAP).
- *Message Distribution Indicator:* A Content Provider is now enabled to indicate to the recipient via the MMS Relay/Server that the content of an MM or a part of the content of an MM should not be redistributed.

21.2. Enhanced Messaging Service (EMS) enhancements

Acronym: MESS5-EMS
 Unique_ID: 2572

References for WI "EMS enhancements"

| Document | Title/Contents |
|-------------------------------------|--|
| WIDs | |
| TP-010153 | Enhanced Messaging Service (EMS) enhancements |
| Impacted Specifications | |
| TS 23.040 | Technical Realisation of the Short Message Service |
| New Dedicated Specifications | |
| | None |

EMS supports a range of formats and data types enabling users to receive rich media content via the SMS transport mechanisms.

The main enhancements in Release 5 are:

- Text Colour, Text Background Colour
- Extended Pictures: maximum of 255 x 255 pixels, black and white, greyscale or colour
- Extended Animations max frame size 255 x 255 pixels, black and white, greyscale or colour
- Extended Sounds, Monophonic and Polyphonic
- Vector based Graphics
- vCard and vCalendar
- Object Distribution Indicator (to limit distribution of objects)
- Compression Control for extended objects
- Hyperlink Information Element
- EMS Delivery Request (new data format in the Extended Object Information Element that allows an SME to request the desired type of data formats)

22. Service Change and UDI Fallback

Acronym: SCUDIF

Unique_ID: 13000

References for WI "SCUDIF"

| Document | Title/Contents |
|---|----------------|
| WIDs | |
| NP-020164 | TBP |
| Impacted Specifications | |
| TS 29.007, 24.008, 27.001, 26.103, 22.101 | TBP |
| New Dedicated Specifications | |
| TS 23.172 | TBP |

The objective of this work item is to base service change and fallback from UDI multimedia to speech on the standardised network (also terminal) capability to change the service from CS modem multimedia to speech at fallback after call setup. The same principles should be applied here as well.

- Fallback indication (a speech BC-IE and a modem multimedia BC-IE in SETUP and CALL CONFIRMED) should also be applicable to UDI multimedia and speech.
- At the same time it shall be an indication for a service change capability (of the network and terminal).
- The network should accept a service change (MODIFY is received) after call setup in both directions, speech to multimedia and multimedia to speech. A service change is only allowed between the indicated services at call setup.
- The existing in-call modification to change the call mode (TS 24.008, 5.4.3.4) should be used to change the radio and network resources.
- Core network signalling is using Out-of-Band Transcoder Control (OoBTC) to signal UDI multimedia capabilities across the network at call setup and for service change during the call.

The feature shall operate within PLMNs and between PLMNs where transit networks support BICC Codec Negotiation. The interworking with ISUP networks or BICC networks that do not support this feature shall allow a graceful rejection of the service change and a successful call setup using a single service.

The Service Change and UDI Fallback (SCUDIF) is a function which applies to UDI/RDI multimedia calls (see 3GPP TS 22.101 [8], clause 7.2.1), and supports the following:

- Fallback to speech during call setup: allow a user to attempt to set up a multimedia call, and try a speech connection if the former doesn't succeed;
- Fallback to the less preferred service (speech or multimedia) during call setup: allow the terminating side via specific settings for this service in the terminal to accept or reject a multimedia call, without interrupting the call setup;
- Fallback to the preferred service (speech or multimedia) or speech during call setup: allow the call setup to proceed with a single service if the transit network does not support the signalling of this functionality;
- BC negotiation at the terminating side: allow the terminating side via specific settings for this service in the terminal to turn a speech call (with service change) into a multimedia call and vice-versa;
- Service change: allow a speech call to be turned to multimedia by either of parties, and back to speech, through a successful in call modification procedure;
- Allow any of the users to reject a multimedia request from the other party while in speech mode.

To fulfil:

- service request signalling between the UE and the MSC;
- service request signalling across the Core Network.

This functionality is not supported for multimedia with Fixed Network User Rate set to 32 kbit/s. In this case, the MSC shall revert to a multimedia only call.

23. Release Independent Features

23.1. UMTS 1800 and UMTS 1900

Acronym: RInImp-UMTS18, RInImp-UMTS19

Unique_ID: 1996, 2467 (listed in the Release 4 Work Plan)

References for WIs "UMTS1800/1900"

| Document | Title/Contents |
|---|---|
| WIDs | |
| RAN_Work_Items_History | WI Sheet |
| RP-010815 | Final Status report |
| TR 25.885 | "UMTS1800/1900 Work Items" |
| Impacted Specifications | |
| TS 25.307 (R99 and up), subclauses 4 (UMTS 1800), 5 (UMTS 1900) | "Requirements on UEs supporting a Release Independent Frequency Band" |
| New Dedicated Specifications | |
| | None |

These two Work Items both follow decisions taken at WARC 00 to extend the existing IMT 2000 frequency allocation to include the bands occupied by 2G cellular bands. The PCS1900 band was part of UTRA FDD since the beginning of the 3GPP project, but its particular requirements and coexistence are not covered in Release 99. The UMTS1900 WI studied co-existence of UTRA FDD and PCS1900, TIA/EIA-136, IS-95 and as a result some RF requirements are modified. Similarly, the UMTS1800 covers the operation of UTRA FDD in the GSM1800 band the the co-existence with these systems.

The support of these bands is release-independent, in the sense that it should be possible to produce a system compliant to *any* Release and using *any* of the bands proposed. The particularities of each combination are listed in 25.307.

For UMTS1800, the deployment scenarios to be supported are:

- One WCDMA carrier in 2x10MHz with geographically coordinated WCDMA and GSM base stations in the same 2x10 MHz band. The WCDMA Uplink and Downlink carriers are surrounded by GSM carriers, noted as a "sandwich" concept (GSM/WCDMA/GSM).
- One WCDMA carrier in a 2x5MHz band with geographically uncoordinated deployment at both band edges.
- Two WCDMA carriers in 2x10MHz band with geographically uncoordinated base station deployments at both band edges.

Three bands are defined for the operation of UTRA FDD::

UTRA FDD frequency bands

| Operating Band | UL Frequencies UE transmit, Node B receive | DL frequencies UE receive, Node B transmit |
|-----------------------|---|---|
| I | 1920 – 1980 MHz | 2110 –2170 MHz |
| II | 1850 –1910 MHz | 1930 –1990 MHz |
| III | 1710-1785 MHz | 1805-1880 MHz |

The following FDD radio requirements were modified for the new bands II and III:

- Channel raster
- UE and BS Emission mask
- UE Sensitivity
- UE and BS Narrowband blocking
- UE and BS Narrowband Inter-modulation
- Co-existence requirements.

23.2. Global Text Telephony

Acronym: GTT
 Unique_ID: 1517

References for WIs "Global Text Telephony"

| Document | Title/Contents |
|-------------------------------------|---|
| WID | |
| SP-010340 | WI Global Text Telephony |
| Impacted Specifications | |
| | TBP |
| New Dedicated Specifications | |
| TS 22.226 | Stage 1 |
| TS 23.226 | Stage 2 |
| TS 26.226, 26.230 | General description and C-code for Specification of Cellular Text telephone Modem |
| TS 26.231 | Minimum Performance requirements for Specification of Cellular Text telephone Modem |

Global Text Telephony (GTT) is a feature that adds the capability to use real time, character by character text conversation. One important reason to offer the GTT is to enable emergency service access to people who are depending on a written dialogue.

GTT is defined in a set of protocol environments, both for CS and PS, as e.g. SIP, 3G.324, or Circuit Switched Voice service. CTM (Cellular Text telephone Modem, as specified in TS 26.226), AL1 and RTP/text are used as transmission protocols. Existing text presentation format ITU-T T.140, common to all GTT text conversation environments, is used.

The protocol to read and write the characters in UMTS is CTM. Interworking with corresponding features in other networks is an important part of GTT. In the PSTN, text telephony is often based on ITU-T V.18, hence interworking between CTM and ITU-T V.18 is needed and done by introducing conversion in the PLMN or in the AN (different solutions are possible).

24. Features not belonging to Release 5

This sections groups all the items which were once considered as belonging to Release 5 but, because of different reasons, did not lead to any concrete change on the 3GPP Release 5 set of Specifications.

User Equipment Management - Feasibility Study
 Not in Release 5.

The following GERAN improvements:

- GERAN improvements "Low chip rate TDD option" and "Gb over IP" are GERAN Release 4 features.
- "Evolution of the transport on the A interface", including "Definition of a new A/Ater Interface Transport Layer option based on the Iu Interface Transport Layer" and "Adaptation of the Layer 3 BSSMAP procedures as required" was finally not standardised, i.e. not producing any impact on the 3GPP specifications.
- GERAN support for IMS

Except for "Development of header adaptation for GERAN" listed above, the following items were not concluded:

- Establishment of requirements for IP multimedia in GERAN especially in regards to optimised speech (terminated, but not completed)
- Optimised design of GERAN radio access bearers for multimedia (terminated. Not standardised)
- Provisioning of physical layer multiplexing to provide means to realise SIP and speech (Terminated. Not standardised)
- GERAN LCS:
 - Provision of Velocity, Privacy Control, and Location of All Mobiles in Geographical Area (LAMGA). This means that an LCS application can request locations and possibly identities of all mobiles in a certain geographical area.
 - The Common LCS Stage 1 mentions Defined Geographical Areas (DEGA). For example, it offers the possibility to identify and report when the user's terminal enters or leaves a specified geographic area. Also certain services might be available to mobiles within specified areas.