

**TSGT#11(01)074**



# ***MS / UE clarification***

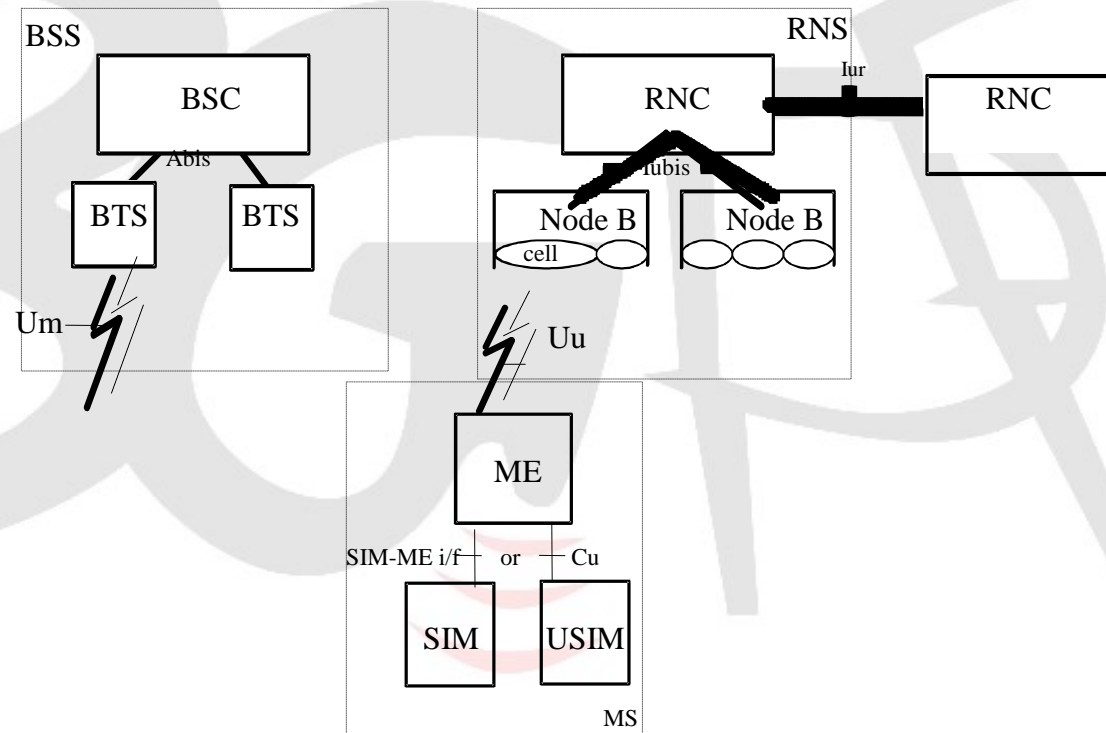
**Peter Neumann, Siemens AG**  
**T2 Vice Chairman**

A GLOBAL INITIATIVE

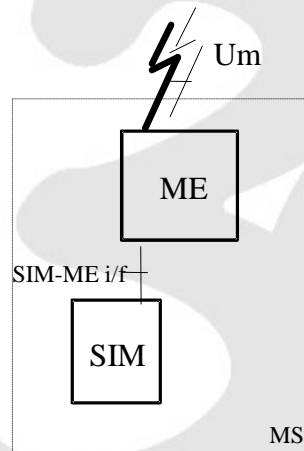
# Overview

- GSM only
- 3G only
- GSM / 3G dualmode
- Rel-4 GSM only

# 3G TS 23.002 v4.1.0 Rel-4



# A) GSM only

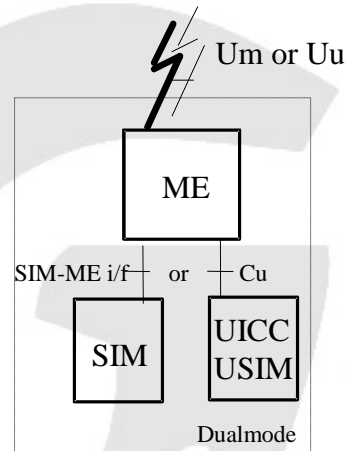


## *B) 3G only*

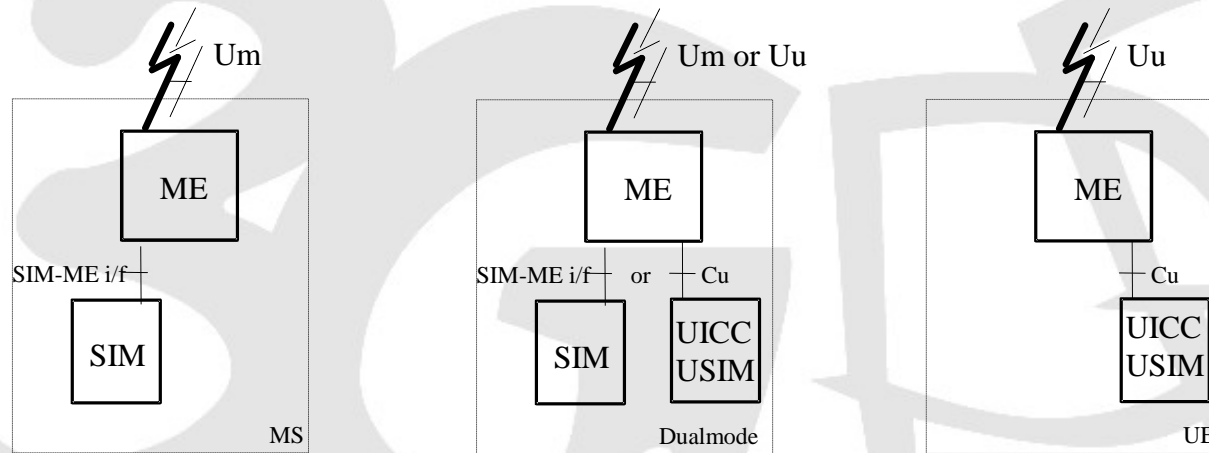


A GLOBAL INITIATIVE

## ***C) Dualmode GSM/3G***



# D) All 3 modes



# E) Rel-4 GSM only ?

