

CR-Form-v7
CHANGE REQUEST
33.107 CR CRNum # rev - # Current version: 6.1.0

For **HELP** on using this form, see bottom of this page or look at the pop-up text over the # symbols.

Proposed change affects: UICC apps# ME Radio Access Network Core Network

Title:	# Correction on Network initiated Mobile Station Detach signalling flow		
Source:	# SA3-LI		
Work item code:	# SEC1-LI Date: # 15-04-2004		
Category:	# F Release: # Rel-6		
	<table style="width: 100%; border: none;"> <tr> <td style="width: 50%; vertical-align: top;"> Use <u>one</u> of the following categories: F (correction) A (corresponds to a correction in an earlier release) B (addition of feature), C (functional modification of feature) D (editorial modification) Detailed explanations of the above categories can be found in 3GPP TR 21.900. </td> <td style="width: 50%; vertical-align: top;"> Use <u>one</u> of the following releases: 2 (GSM Phase 2) R96 (Release 1996) R97 (Release 1997) R98 (Release 1998) R99 (Release 1999) Rel-4 (Release 4) Rel-5 (Release 5) Rel-6 (Release 6) </td> </tr> </table>	Use <u>one</u> of the following categories: F (correction) A (corresponds to a correction in an earlier release) B (addition of feature), C (functional modification of feature) D (editorial modification) Detailed explanations of the above categories can be found in 3GPP TR 21.900 .	Use <u>one</u> of the following releases: 2 (GSM Phase 2) R96 (Release 1996) R97 (Release 1997) R98 (Release 1998) R99 (Release 1999) Rel-4 (Release 4) Rel-5 (Release 5) Rel-6 (Release 6)
Use <u>one</u> of the following categories: F (correction) A (corresponds to a correction in an earlier release) B (addition of feature), C (functional modification of feature) D (editorial modification) Detailed explanations of the above categories can be found in 3GPP TR 21.900 .	Use <u>one</u> of the following releases: 2 (GSM Phase 2) R96 (Release 1996) R97 (Release 1997) R98 (Release 1998) R99 (Release 1999) Rel-4 (Release 4) Rel-5 (Release 5) Rel-6 (Release 6)		

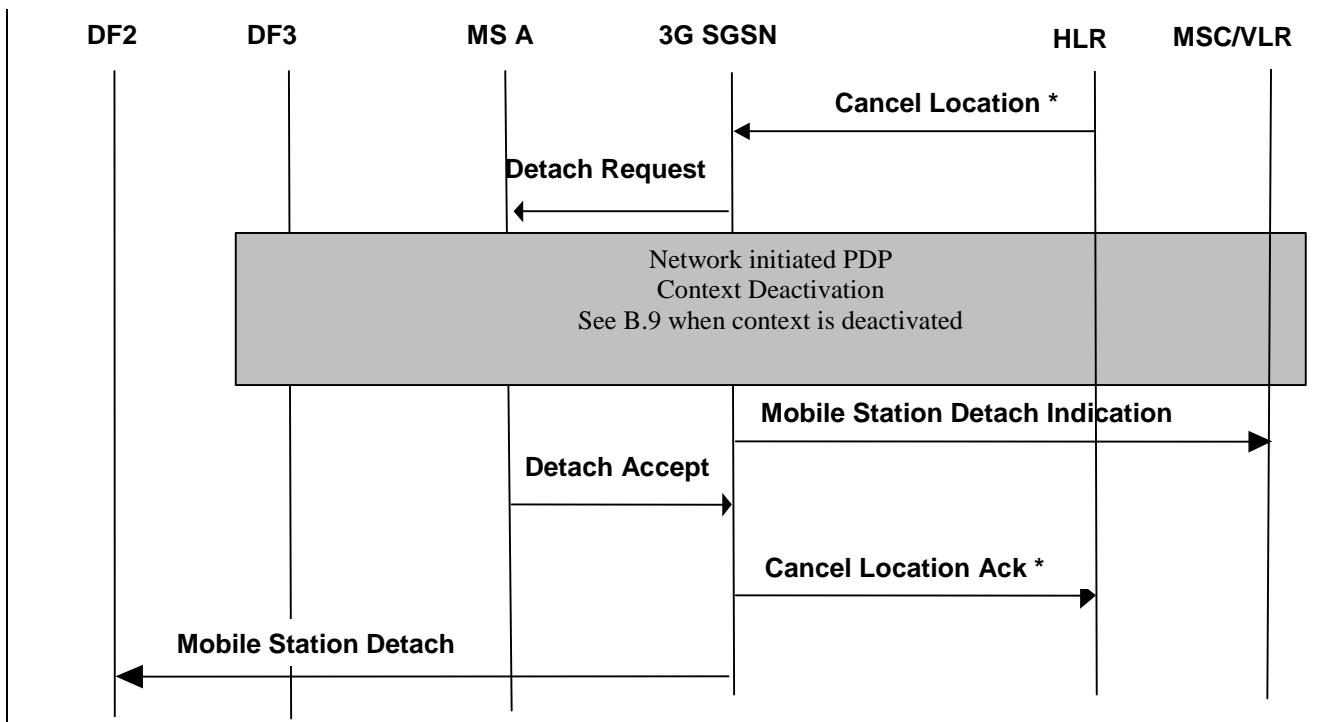
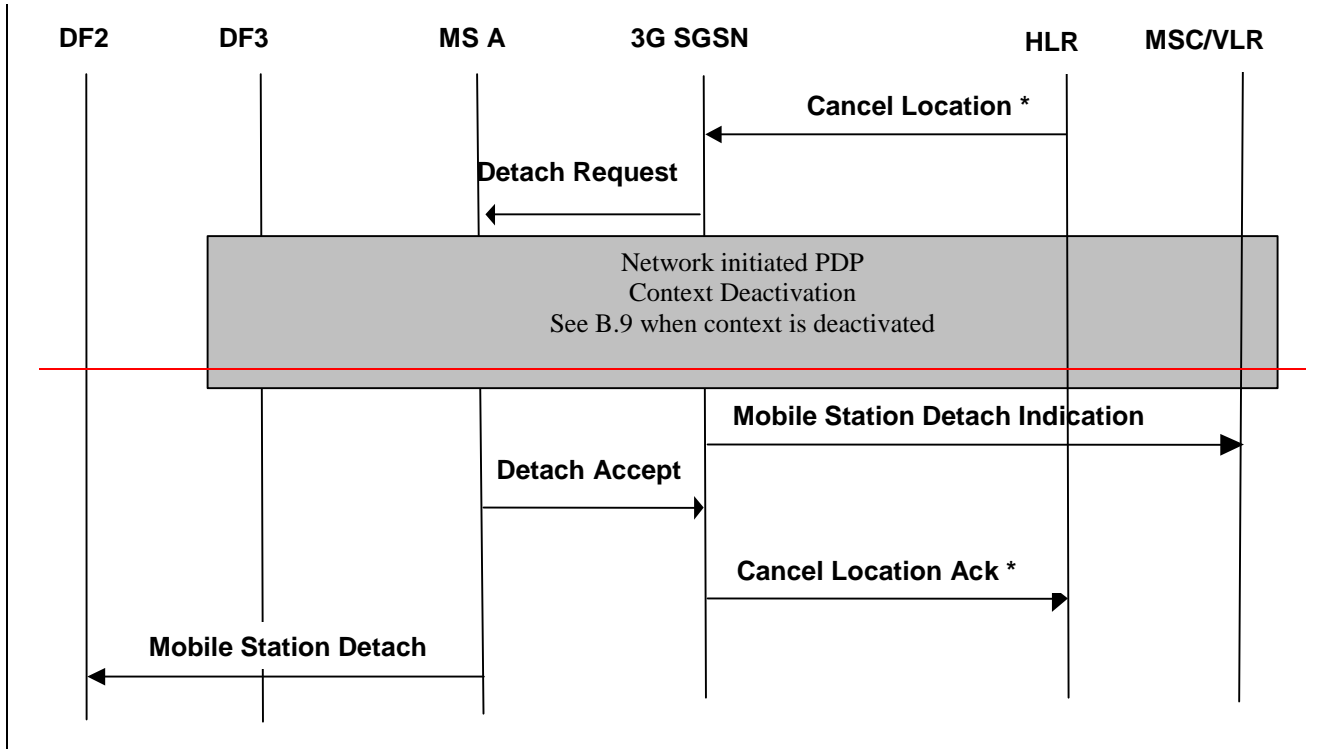
Reason for change:	# Figure B.3 in annex B (informative) has a mistake in the last signalling of the flow: according to the figure, the Mobile Station Detach is reported by the MS A to the DF2. The event should be reported instead by the 3G SGSN.
Summary of change:	# The Mobile Station Detach is reported by the 3G SGSN.
Consequences if not approved:	# Wrong information in the signalling flow.

Clauses affected:	# B.3										
Other specs affected:	<table style="border: none;"> <tr> <td style="border: 1px solid black; padding: 2px;">Y</td> <td style="border: 1px solid black; padding: 2px;">N</td> <td rowspan="3" style="padding-left: 10px;">Other core specifications</td> <td rowspan="3" style="padding-left: 20px;">#</td> </tr> <tr> <td style="border: 1px solid black; padding: 2px;"></td> <td style="border: 1px solid black; padding: 2px;">X</td> <td>Test specifications</td> </tr> <tr> <td style="border: 1px solid black; padding: 2px;"></td> <td style="border: 1px solid black; padding: 2px;">X</td> <td>O&M Specifications</td> </tr> </table>	Y	N	Other core specifications	#		X	Test specifications		X	O&M Specifications
Y	N	Other core specifications	#								
	X					Test specifications					
	X			O&M Specifications							
Other comments:	#										

***** FIRST MODIFICATION *****

B.3 Network initiated Mobile Station Detach

Figure B.3 shows the interception of a network initiated (by 3G SGSN or HLR) Mobile Station Detach where the mobile (A) is the target for interception.



NOTE: * Additional signals in case of HLR initiated.

Figure B.3: Interception of network initiated Mobile Station Detach

***** END OF MODIFICATIONS *****