

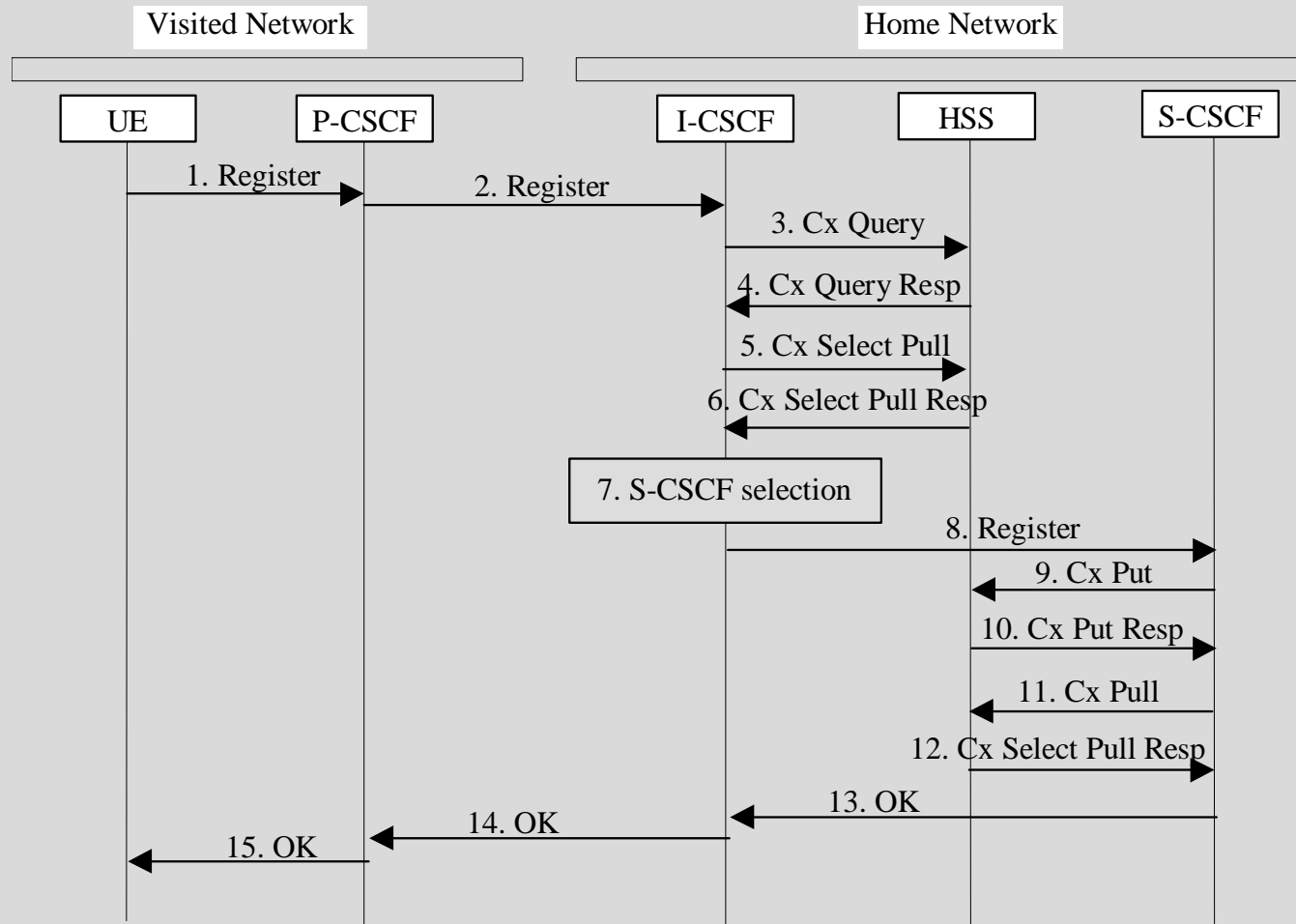
Overview of alternative information flows  
for  
IMS authentication and key agreement

**Source:** Siemens AG

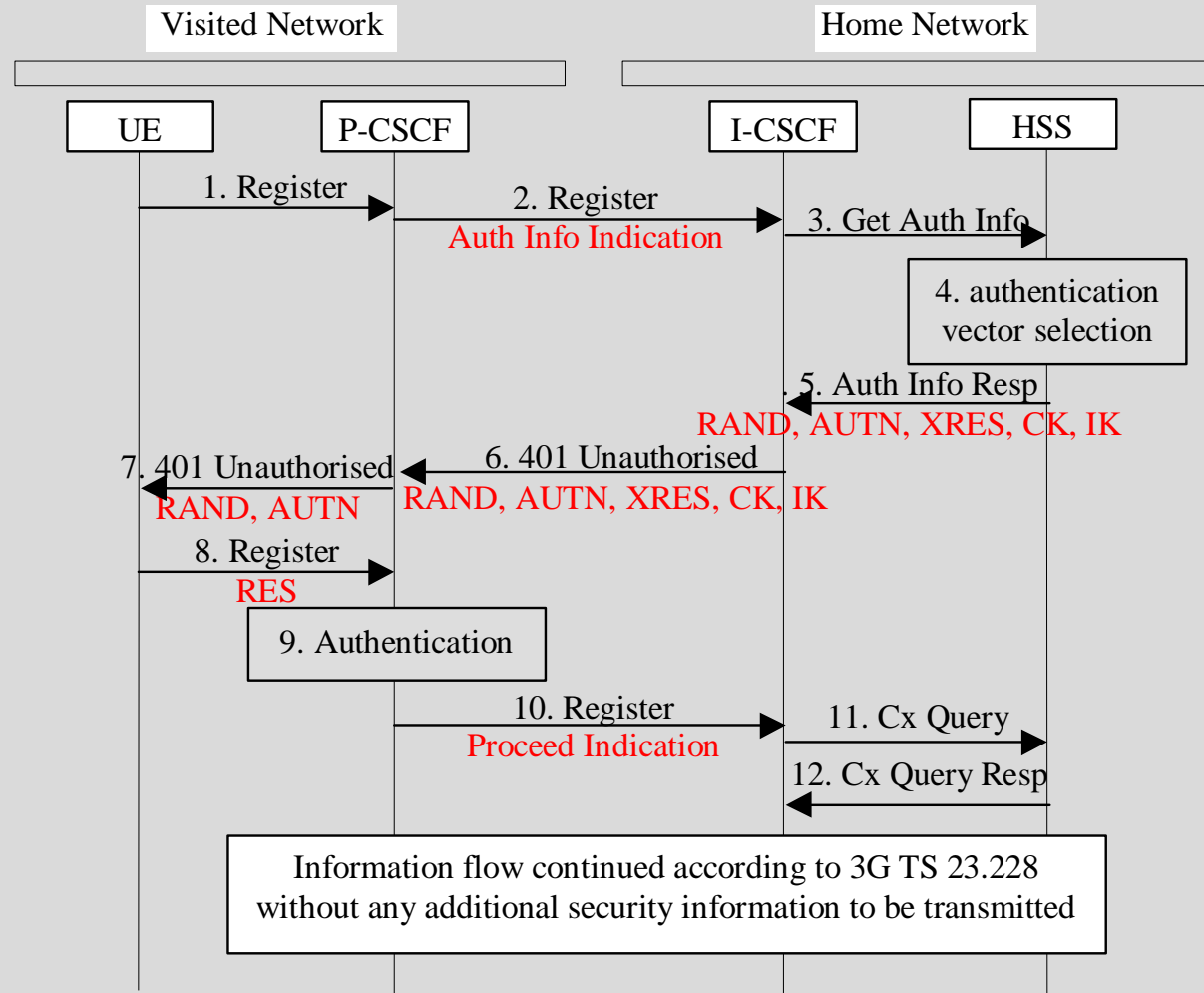
**Document for:** Discussion

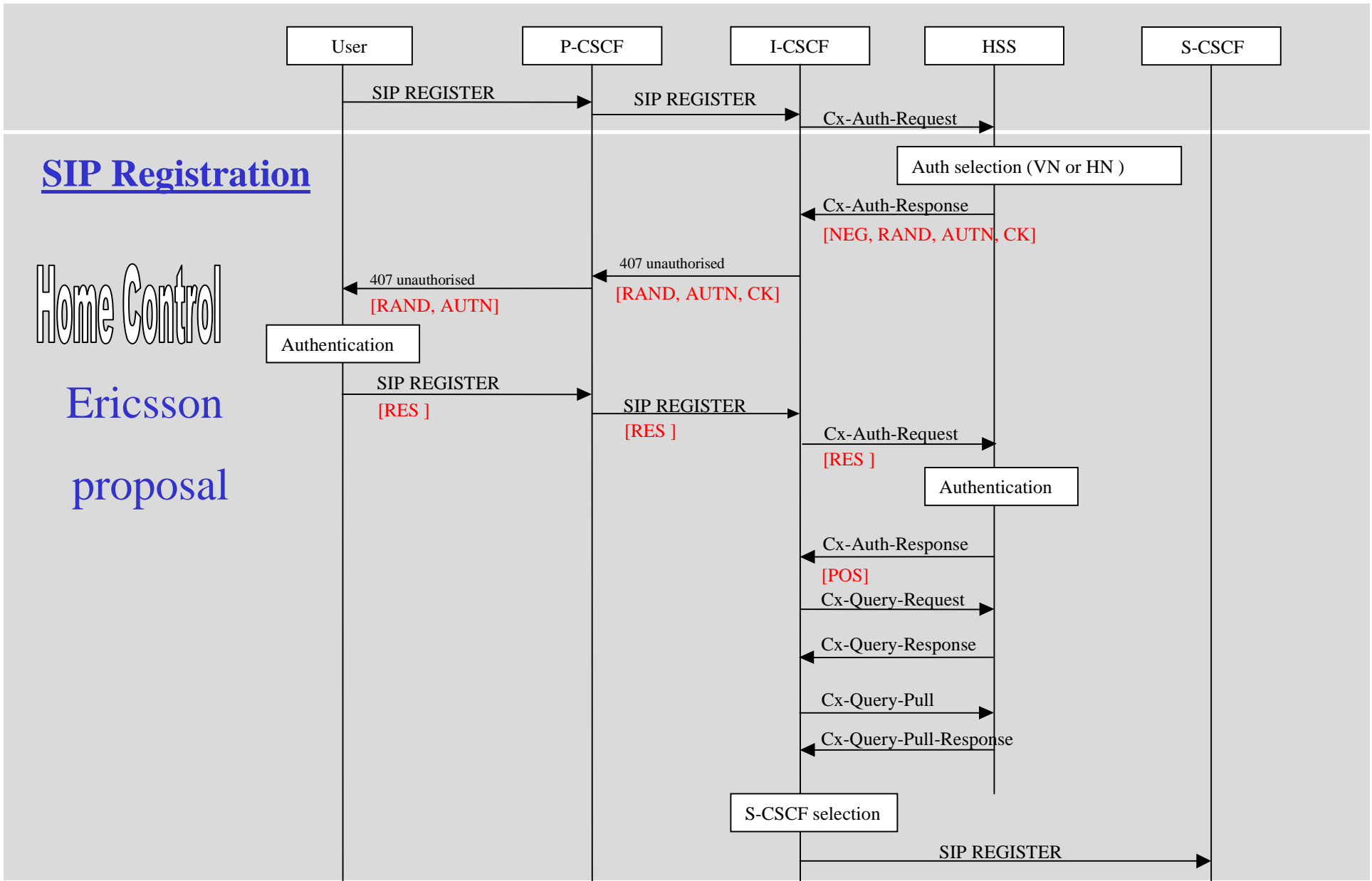
**Agenda item:** ?

## SIP Registration: Information flow without authentication (according to TR 23.228)



## SIP Registration: Final authentication check in P-CSCF (Siemens proposal)





SIP Registration: Ericsson proposal (cont.)

