

Source: SA WG3

Title: 1 CR to 33.919: Removal of unnecessary editor's notes (Rel-6)

Document for: Approval

Agenda Item: 7.3.3

The following CR has been agreed by SA WG3 and is presented to TSG SA for approval.

| TSG SA Doc number | Spec | CR | Rev | Phase | Subject | Cat | Version-Current | SA WG3 Doc number | Work item |
|-------------------|--------|-----|-----|-------|---------------------------------------|-----|-----------------|-------------------|-----------|
| SP-040861 | 33.919 | 002 | - | Rel-6 | Removal of unnecessary editor's notes | D | 6.0.0 | S3-040977 | GAA |

CR-Form-v7.1

CHANGE REQUEST

⌘ **33.919 CR 002** ⌘ rev **-** ⌘ Current version: **6.0.0** ⌘

For **HELP** on using this form, see bottom of this page or look at the pop-up text over the ⌘ symbols.

Proposed change affects: UICC apps ⌘ ME Radio Access Network Core Network

| | | | |
|------------------------|---|-----------------|---|
| Title: | ⌘ Removal of unnecessary editor's notes | | |
| Source: | ⌘ SA WG3 | | |
| Work item code: | ⌘ GAA | Date: | ⌘ 16/11/2004 |
| Category: | ⌘ D | Release: | ⌘ Rel-6 |
| | Use <u>one</u> of the following categories: F (correction) A (corresponds to a correction in an earlier release) B (addition of feature), C (functional modification of feature) D (editorial modification) Detailed explanations of the above categories can be found in 3GPP TR 21.900 . | | Use <u>one</u> of the following releases: Ph2 (GSM Phase 2) R96 (Release 1996) R97 (Release 1997) R98 (Release 1998) R99 (Release 1999) Rel-4 (Release 4) Rel-5 (Release 5) Rel-6 (Release 6) Rel-7 (Release 7) |

| | |
|--------------------------------------|--|
| Reason for change: | ⌘ The figure 2 is updated to according to the current GAA specifications. |
| Summary of change: | ⌘ TS number for 24.109 is added to figure 2. |
| Consequences if not approved: | ⌘ |

| | | | | | | | | | |
|------------------------------|--|---|---|--------------------------|-------------------------------------|--------------------------|-------------------------------------|--------------------------|-------------------------------------|
| Clauses affected: | ⌘ 1 | | | | | | | | |
| Other specs affected: | <table border="1" style="display: inline-table; border-collapse: collapse;"> <tr> <td style="width: 20px; text-align: center;">Y</td> <td style="width: 20px; text-align: center;">N</td> </tr> <tr> <td style="text-align: center;"><input type="checkbox"/></td> <td style="text-align: center;"><input checked="" type="checkbox"/></td> </tr> <tr> <td style="text-align: center;"><input type="checkbox"/></td> <td style="text-align: center;"><input checked="" type="checkbox"/></td> </tr> <tr> <td style="text-align: center;"><input type="checkbox"/></td> <td style="text-align: center;"><input checked="" type="checkbox"/></td> </tr> </table> Other core specifications ⌘ Test specifications ⌘ O&M Specifications ⌘ | Y | N | <input type="checkbox"/> | <input checked="" type="checkbox"/> | <input type="checkbox"/> | <input checked="" type="checkbox"/> | <input type="checkbox"/> | <input checked="" type="checkbox"/> |
| Y | N | | | | | | | | |
| <input type="checkbox"/> | <input checked="" type="checkbox"/> | | | | | | | | |
| <input type="checkbox"/> | <input checked="" type="checkbox"/> | | | | | | | | |
| <input type="checkbox"/> | <input checked="" type="checkbox"/> | | | | | | | | |
| Other comments: | ⌘ | | | | | | | | |

===== BEGIN CHANGE =====

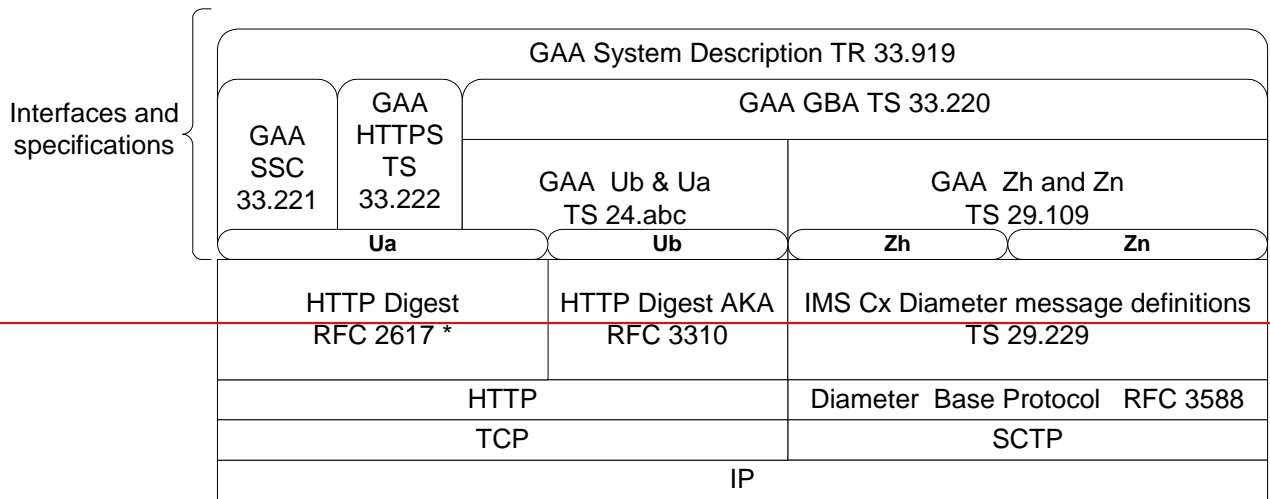
1 Scope

This 3GPP Technical Report aims to give an overview of the different mechanisms that mobile applications can rely upon for authentication between server and client (i.e. the UE). Additionally it provides guidelines related to the use of GAA and to the choice of authentication mechanism in a given situation and for a given application.

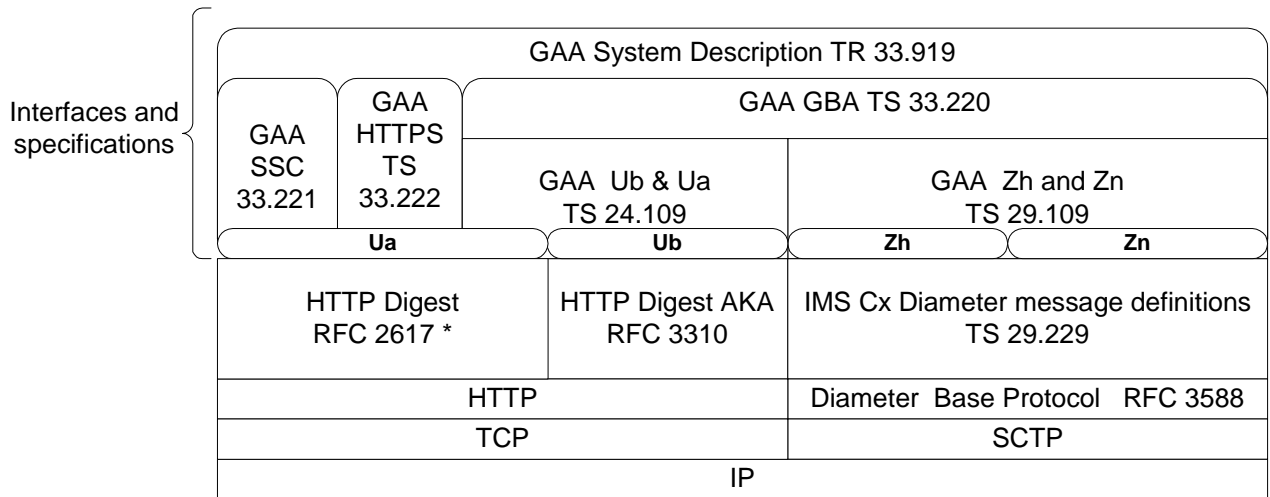
To this end the TR puts the different GAA specifications that are related to peer authentication, into perspective. It clarifies the logic for having three technical specifications, sketches their content and explains the inter-relation between these three TSs and their relation with this TR.

Figure 1 depicts protocols used over GAA interfaces and the relationships between different GAA specifications. New GAA specifications will be added to the figure as they become available. Also other protocols may be added in the future. In particular, new kinds of Ua interfaces could be added in the future and then other protocols may be added below the Ua interface.

~~Editor's note: The figure below is not final and should be updated when the corresponding information is available.~~



* The GAA supports potentially many protocols on Ua interface. One example is HTTP digest



* The GAA supports potentially many protocols on Ua interface. One example is HTTP digest

Figure 2: Relationships between GAA specifications and the protocols used by GAA interfaces

==== END CHANGE =====