

**3GPP TSG-T (Terminals) Meeting #22  
Maui, Hawaii, USA  
10 - 12 December, 2003**

**TP-030310**

**Title:** MMS WID MM4 Private addressing

**Source:** TSG-T

**To:** SA

**Cc:** SA1, T2

**Contact Person:**

**Name:** Ian Harris  
**Tel. Number:** +44 7785 360000  
**E-mail Address:** iharris@rim.net

**Attachments:** TP-030299 (Note- the changes highlighted in the attachment are changes made by TSG-T to the original WID submitted by TSG-T2)

---

**1. Overall Description:**

TSG-T2 presented the attached WID to TSG-T#22

TSG-T wishes to support this WID but felt that its approval is a matter for SA

Some TSG-T delegates expressed the following concerns

- The interaction of the VPN work in this WID with VPN work taking place in other 3GPP TSG's including security matters.
- The possibility that SA2 and SA3 may also need to be consulted

TSG-T noted the need expressed in the WID to complete the work in the REL-6 timeframe. Currently this is June 2004. In order to meet this target date, TSG-T2 has planned to start work in January 2004 well in advance of their Plenary meeting (TSG-T2#24 16<sup>th</sup> – 20<sup>th</sup> February 2004).

TSG-T is aware that SA1 would normally be consulted if appropriate in the first instance but wishes to take the opportunity of the TSG-SA#22 meeting to minimise delay which could arise through SA, SA1 meeting schedules

**2. Actions:**

**ACTION:** TSG-T requests that SA reviews this WID with a view to expediting its approval in order to allow TSG-T2 to commence its work in January

**3. Date of Next 3GPP TSG-T Meetings:**

TSG-T Meeting #23      10-12 March 2004      Phoenix, Arizona, USA.

**Work Item Description**

Handling of private addressing schemes in MMS

**1 3GPP Work Area**

	Radio Access
X	Core Network
X	Services

**2 Linked work items**

- *MMS Service Requirements (SA1)*
- *Charging (SA5)*
- *MMS Enhancements - REL6 (T2)*

**3 Justification**

A need for handling subscriber-specific, flexible addressing in MMS is identified. Examples for Services which need such subscriber-specific and flexible addressing are Virtual private Networks (VPN) and Address Hunting Services, which make use of private numbering schemes. To fulfil this need the following item is proposed to be included in the expected work on MMS.

The described feature is seen as a big enhancement of the MMS service and will help to improve the acceptance of the user and addresses as well needs of corporate customers.

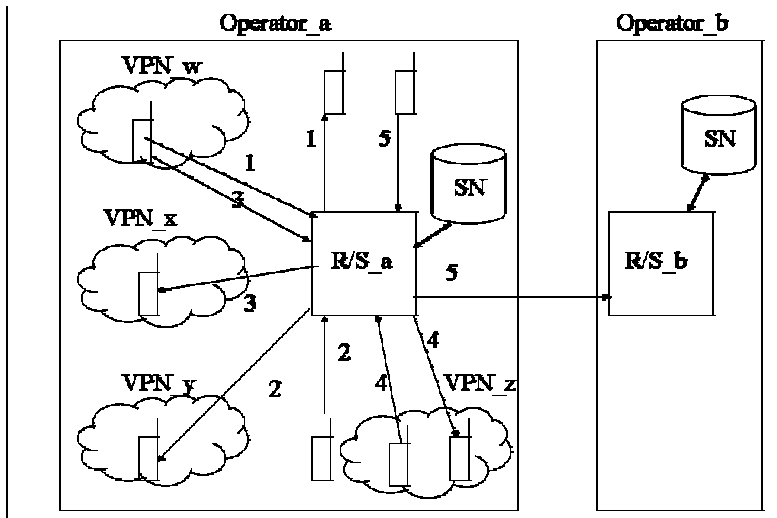
The co-signing companies are committed to complete the WID within the known MMS\_REL-6 Timeframe currently targeted for June 2004.

**4 Objective**

This Work Item will target the following areas:

- Means to recognize that an address resolution shall be performed.
- Establishment of methods to interrogate Network Based service Nodes to exchange all necessary service information.
- Enhancements on existing billing specification to ensure that all service relevant data can be captured.
- Study the impacts on privacy, security and routing

**Example Use Case "Virtual Private Network"**



**VPN use cases (non exhaustive list)**

- 1. VPN user sends MMS to a non-VPN user (same operator)
- ~~1.2.~~ Non-VPN user sends MMS to a VPN user (same operator)
- ~~1.3.~~ VPN user sends MMS to a VPN user (same operator, different VPN)
- ~~1.4.~~ VPN user sends MMS to a VPN user (same operator, same VPN)
- ~~1.5.~~ Non-VPN user sends MMS to a user (different operators)

**5 Service Aspects**

- The feature allows users to use an abbreviated way to identify themselves or MMS recipients.

**6 MMI Aspects**

- Possible impact, since supporting and displaying of private Number schemes is necessary.

**7 Charging Aspects**

As both the original and the modified addresses may be relevant for charging, the charging capabilities (CDR and prepaid) have to be enhanced.

**8 Security Aspects**

- To be determined

**9 Impacts**

Affects:	USIM	ME	AN	CN	Others
Yes		X		X	
No	X		X		
Don't know					X

Note: Reason for potential ME impact: The addressing scheme of the MMS UA currently supports (E.164/MSISDN, RFC2822, short codes). This might need to be enlarged in order to support private numbering schemes.

10

**Expected Output and Time scale (to be updated at each plenary)**

<b>New specifications</b>						
Spec No.	Title	Prime rsp. WG	2ndary rsp. WG(s)	Presented for information at plenary#	Approved at plenary#	Comments
<b>Affected existing specifications</b>						
Spec No.	CR	Subject		Approved at plenary#	Comments	
22.140		Multimedia Messaging Service; Service aspects; Stage 1		SA# 23	Under SA1 responsibility	
23.140		Multimedia Messaging Service (MMS); Functional description; Stage 2		T# 24	Under T2 responsibility	
32.270/ 32.235		Charging data description for application/MMS services		SA# 24	Under SA5 responsibility	

**11 Work item rapporteurs**

Matthias Röbbke, T-Mobile

**12 Work item leadership**

TSG-T2

**13 Supporting Companies**

T-Mobile, Ericsson, Orange, Vodafone, Huawei

**14 Classification of the WI (if known)**

	Feature (go to 14a)
X	Building Block (go to 14b)
	Work Task (go to 14c)

14b This building block belongs to the parent feature "Multimedia Messaging Enhancements"