

3GPP TSG RAN Meeting #26

December 8-10, 2004

Athens, Greece

RP-040529

3GPP TSG RAN process for Evolved UTRA & UTRAN

Agenda Item: 5.3.2

Source: Telecom Italia

Document for: Approval

How to organise studies

The current 3GPP working method presents the following issues

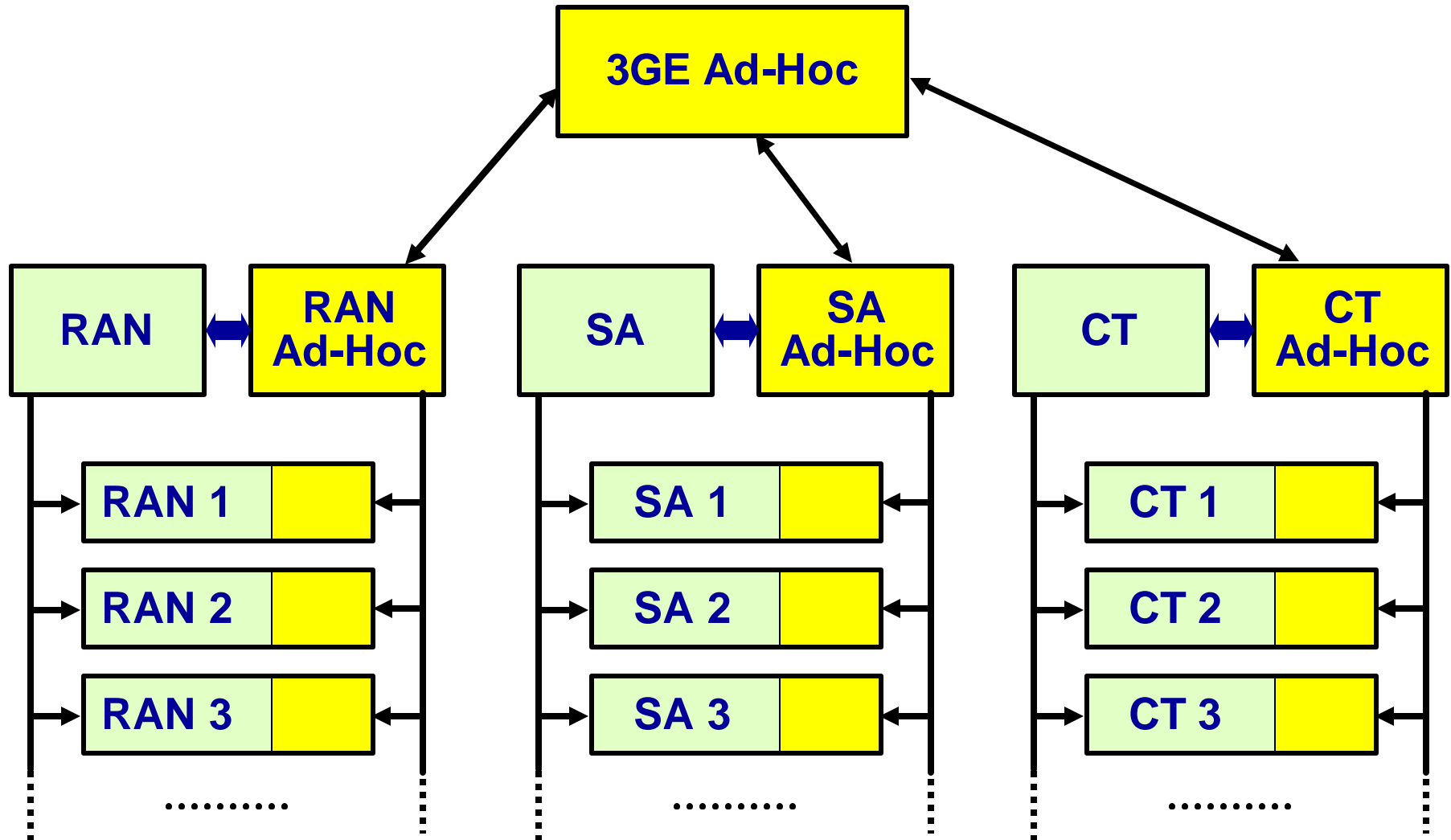
- it adopts a bottom-up approach
- no top down governance and steering exists
- technical solutions are sometimes not justified by service requirements
- Unnecessary options and complexities are sometimes introduced

The technical solutions of the new developments should be kept consistent with identified requirements with a minimum complexity

Requirement

*To create an
overall co-ordination of 3GPP Evolution
related activities within RAN, CT and SA*

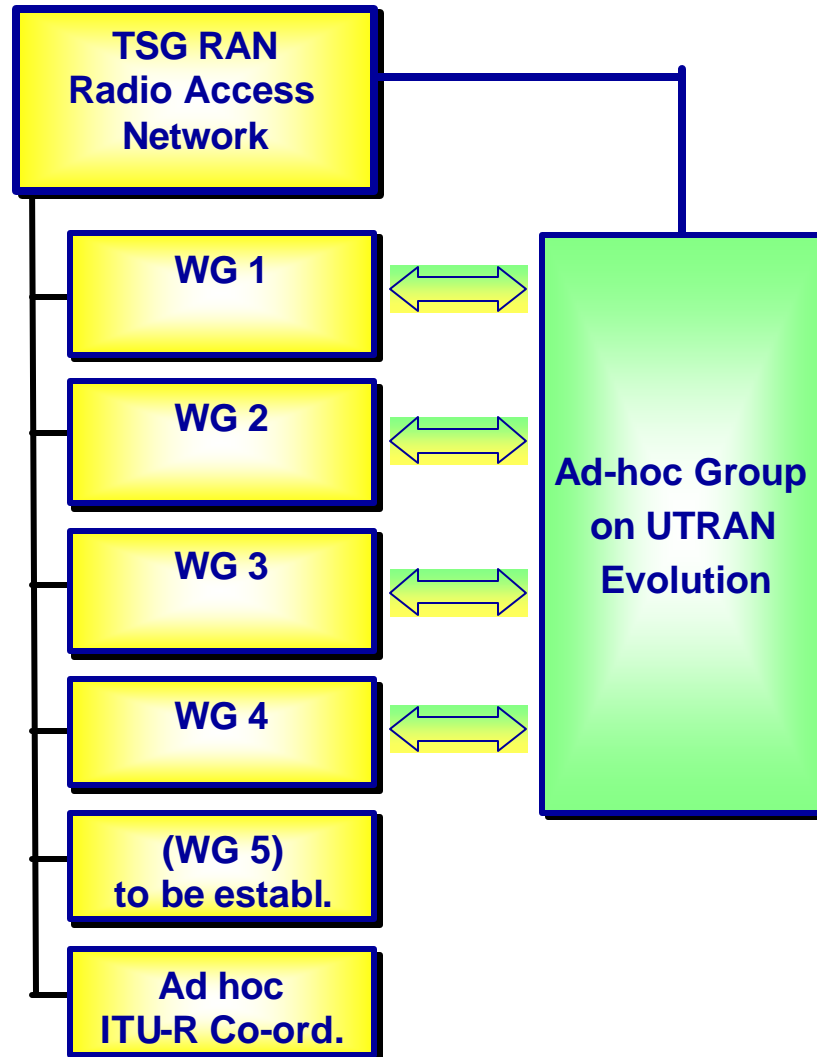
Group structure for the WCDMA Evolution



Proposal for RAN

*To create an
“Ad-hoc group on UTRAN Evolution”
that coordinates the work on the Study Item,
reporting to the RAN plenary*

Proposed structure



Ad-hoc Group on UTRAN Evolution

- The Ad-hoc group, with its chairperson, reports directly to the RAN plenary in order to coordinate the work, solve inter WGs issues and liaise with other TSGs.
- According to the current rules, the Study Item rapporteur is responsible to report the progress of the work to the RAN plenary (as for the other SIs and WIs)
- In particular, the ad hoc group :
 - translates the general requirements produced by the Toronto workshop in technical requirements that can be passed to the WGs
 - defines a general reference architecture with the relevant interfaces
 - ensures consistency of the WGs developments
 - convenes and chairs joint WGs meetings on evolution
 - verifies that the proposed solutions meet the requirements
 - liaises with other TSGs to ensure the consistency of the overall solution

The Ad-Hoc Group and WGs will have Joint Meetings on the UTRAN evolution issues mainly during RAN WG co-located meetings

- In the first period the Ad-Hoc meets outside WG week (preferably before RAN plenary i.e. the same week)
- Additional meetings when deemed necessary