

**Title:** Status of Antenna Interface Standards Group (AISG) work  
**Source:** Vodafone Group  
**Document for:** Information  
**Agenda:** 12

---

### **Status of Antenna Interface Standards Group (AISG) work**

The objective of the Group was to facilitate the introduction of base station antennas with remotely adjustable tilt by agreeing open standards for the associated data transmission system as shown in Figure 1 for remote electrical tilt (RET).

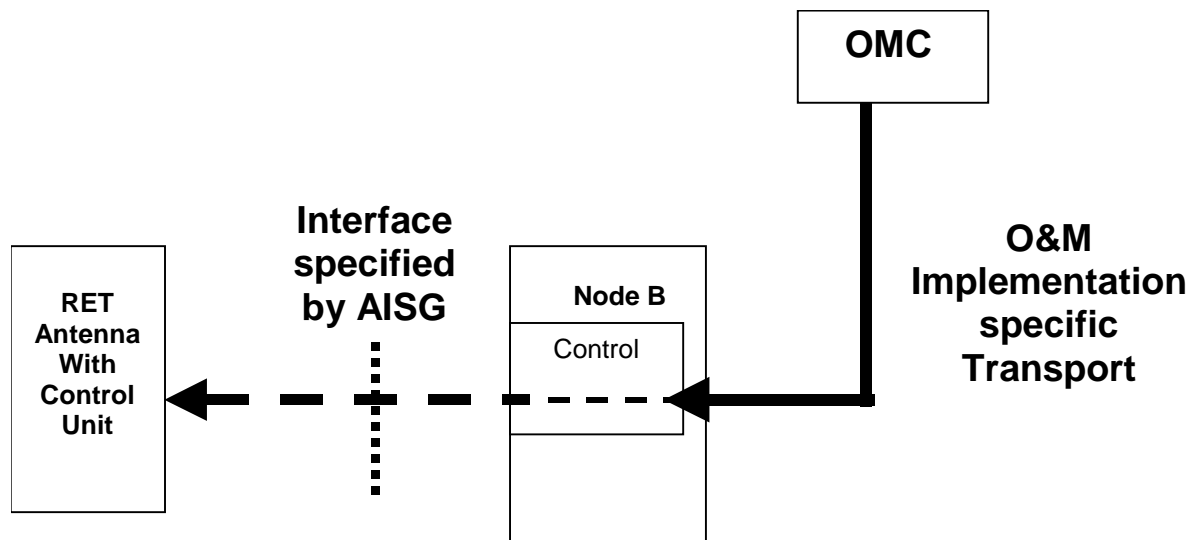


Figure 1:

The groups aims have been explicitly expanded to include Tower Mast Amplifiers (TMA); in the original document these were referred to only as "associated base station sub-systems embodying remote control or monitoring".

As far as the Group is concerned, membership is world-wide, and already include contains large non-European companies such as Andrew Corp and Decibel Products. The full membership can be obtained from <http://www.aisg.org.uk/> .

The draft standard currently public available provides a means of addressing antennas and antenna-line equipment using a simple HDLC-based protocol, terminating at a defined interface at the Node-B/BTS.

The AISG standard can be obtained from <http://www.aisg.org.uk/> .

The next steps will be to correct this standard if needed and to establish a appropriate form of legal entity for AISG. It is expected to take the form of a UK 'Company limited by guarantee'.

Once this status has been achieved a request is expected to be addressed to PCG in order to agree a formal collaboration with AISG.