

**TSG-RAN meeting #4**  
**Miami, USA, 17<sup>th</sup>-19<sup>th</sup> June 1999**

*TSGRP#4(99)335*

**Agenda Item:**

**Source:** Editor (BT)

**Title:** 25.410 v0.2.1

**Document for:** Information

---

**Changes shown with revision marks are based on the decisions of the last RAN3 meeting. These changes have yet to be formally approved by the WG.**

**3<sup>rd</sup> Generation Partnership Project (3GPP);  
Technical Specification Group (TSG) RAN;**

**UTRAN I<sub>u</sub> Interface: General Aspects and Principles**

**UMTS 25.410**

**3GPP**

Reference

---

<Workitem> (<Shortfilename>.PDF)

Keywords

---

<keyword[, keyword]>

**3GPP**

Postal address

---

Office address

---

Internet

---

secretariat@3gpp.org  
Individual copies of this deliverable  
can be downloaded from  
<http://www.3gpp.org>

---

**Copyright Notification**

---

No part may be reproduced except as authorized by written permission.  
The copyright and the foregoing restriction extend to reproduction in all media.

©  
All rights reserved.

# Contents

<b>1</b>	<b>SCOPE.....</b>	<b><del>777</del>5</b>
<b>2</b>	<b>REFERENCES .....</b>	<b><del>777</del>5</b>
<b>3</b>	<b>DEFINITIONS, SYMBOLS AND ABBREVIATIONS.....</b>	<b><del>777</del>5</b>
3.1	DEFINITIONS .....	<del>777</del> 5
3.2	SYMBOLS.....	<del>777</del> 5
3.3	ABBREVIATIONS .....	<del>777</del> 5
<b>4</b>	<b>GENERAL ASPECTS.....</b>	<b><del>777</del>5</b>
4.1	UTRAN ARCHITECTURE.....	<del>777</del> 5
4.2	I <sub>U</sub> INTERFACE GENERAL PRINCIPLES .....	<del>888</del> 6
4.3	I <sub>U</sub> INTERFACE SPECIFICATION OBJECTIVES.....	<del>888</del> 6
4.4	I <sub>U</sub> INTERFACE CAPABILITIES.....	<del>888</del> 6
4.5	I <sub>U</sub> INTERFACE CHARACTERISTICS.....	<del>888</del> 6
<b>5</b>	<b>FUNCTIONS OF THE I<sub>U</sub> INTERFACE PROTOCOLS .....</b>	<b><del>888</del>6</b>
<b>6</b>	<b>I<sub>U</sub> INTERFACE PROTOCOL STRUCTURE .....</b>	<b><del>888</del>6</b>
<b>7</b>	<b>OTHER I<sub>U</sub> INTERFACE SPECIFICATIONS.....</b>	<b><del>1010</del><del>111</del>7</b>
<b>8</b>	<b>BIBLIOGRAPHY.....</b>	<b><del>1111</del><del>121</del>7</b>
<b>9</b>	<b>HISTORY.....</b>	<b><del>1313</del><del>141</del>8</b>

---

# Intellectual Property Rights

---

## Foreword

This Technical Specification (TS) has been produced by the 3<sup>rd</sup> Generation Partnership Project (3GPP).

The contents of this TS are subject to continuing work within 3GPP and may change following formal TSG approval. Should the TSG modify the contents of this TS, it will be re-released with an identifying change of release date and an increase in version number as follows:

Version m.t.e

where:

m indicates [major version number]

x the second digit is incremented for all changes of substance, i.e. technical enhancements, corrections, updates, etc.

y the third digit is incremented when editorial only changes have been incorporated into the specification.

---

## Introduction

*This clause is optional. If it exists, it is always the third unnumbered clause.*

*No text block identified.*

---

# 1 Scope

The present document is an introduction to the ~~TSG-RAN-S3~~ UTS 25.41x series of ~~UMTS~~ Technical Specifications that define the Iu interface for the interconnection of Radio Network Controller (RNC) component of the UMTS Terrestrial Radio Access Network (UTRAN) to the Core Network of the UMTS system.

---

## 2 References

The following documents contain provisions which, through reference in this text, constitute provisions of the present document.

- References are either specific (identified by date of publication, edition number, version number, etc.) or non-specific.
- For a specific reference, subsequent revisions do not apply.
- For a non-specific reference, the latest version applies.
- A non-specific reference to an ETS shall also be taken to refer to later versions published as an EN with the same number.

[1] UTS 25.401, UTRAN Overall Description

[2] UTS 23.30, Iu Principles

[3] UTS 23.10

---

## 3 Definitions, symbols and abbreviations

### 3.1 Definitions

For the purposes of the present document, the [following] terms and definitions [given in ... and the following] apply.

***Editor's Note - Definitions of Source RNS(C) and Target RNC(C) are required.***

### 3.2 Symbols

For the purposes of the present document, the following symbols apply:

### 3.3 Abbreviations

For the purposes of the present document, the following abbreviations apply:

---

## 4 General Aspects

***Editor's Note – Discussion is required about what information should be transferred from the UTRAN Architecture description to this document. Also, from other relevant documents (e.g. UTS 23.30 Iu Principles).***

### 4.1 UTRAN Architecture

***Editor's Note – this chapter should describe enough of the system architecture for the role of the interface to be understood.***

See [1], chapter 8.1.



Over the Iu interface the RANAP protocol is, e.g. used for:

- Facilitate a set of general UTRAN procedures from the Core Network such as paging -notification as defined by the notification SAP in [3].
- Separate each User Equipment (UE) on the protocol level for mobile specific signalling management as defined by the dedicated SAP in [3].
- Transfer of transparent non-access signalling as defined in the dedicated SAP in [3].
- Request of various types of UTRAN Radio Access Bearers through the dedicated SAP in [3].
- Perform the streamlining function.

The Radio Access Bearers are provided by the Access Stratum

## 6.2 Iu-CS

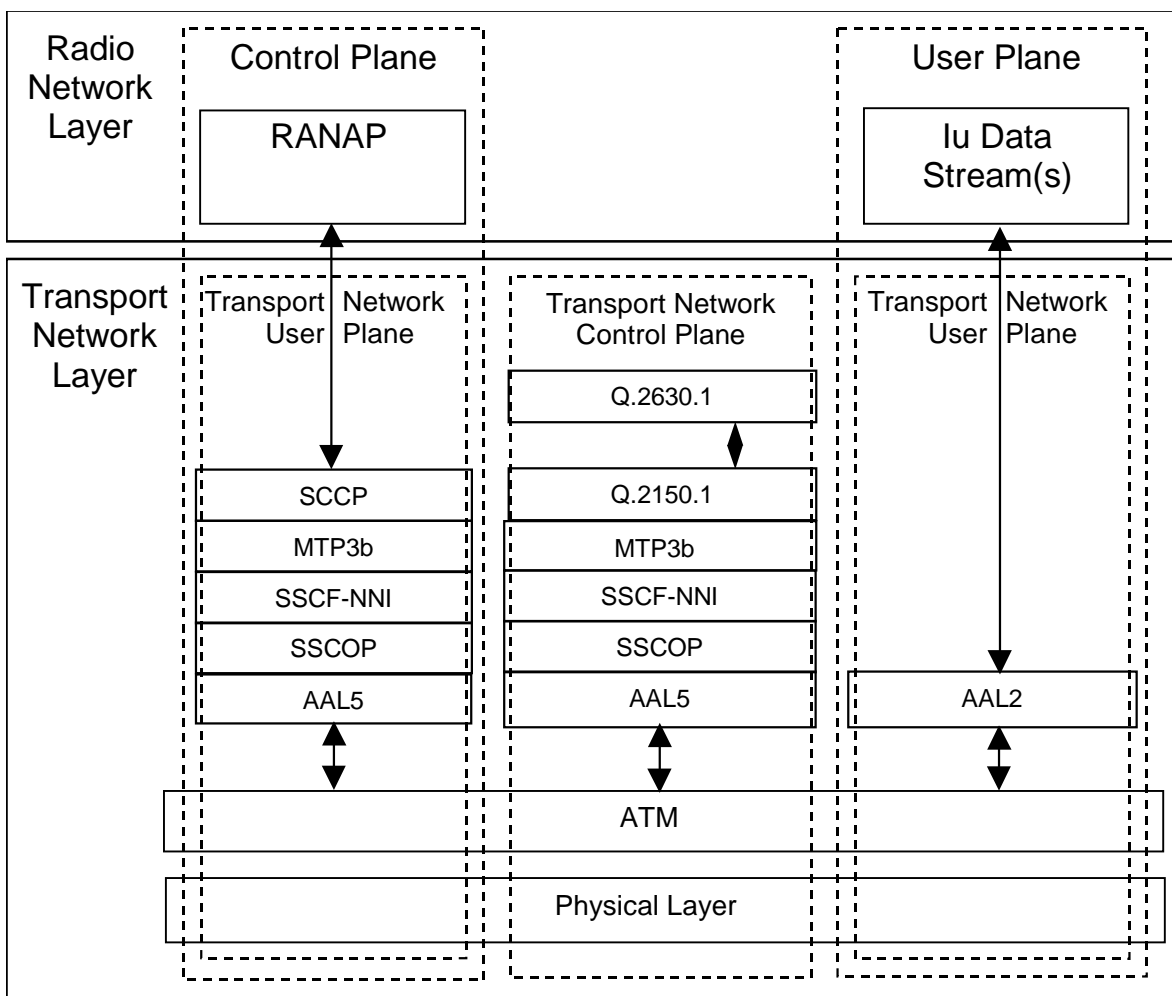


Figure 1. I<sub>u</sub> –Interface Protocol Structure towards CS Domain

Figure 2. I<sub>u</sub> –Interface Protocol Structure

*Editor's note: Should the next sentence be in here or in §325.414?*

Q.2630.1 is used as the ALCAP protocol for dynamically setup AAL-2 connections over Iu towards the PSTN Domain.









# 10History

Document history		
v 0.0.1	1999-02	Initial Specification Structure
V0.0.2	1999-02	Text from merged document included.
V0.0.3	1999-03	Updated with decision from WG3 #2 (inclusion of IP domain congestion control)
V0.1.0	1999-04	Approved by WG3
v.0.1.1	1999-05	Updated with decisions from WG3 #3 – mostly from Tdoc 344. References and Ch7 updated according to document renumbering.
<u>v.0.1.2</u>	<u>1999-06</u>	<u>Further changes after SWG review, and text from Iu SWG @ WG3#4 added. – This version was never treated.</u>
<u>v.0.2.1</u>	<u>1999-06</u>	<u>Approved at WG3#4, and showing changes agreed at that meeting – sentence on establishment of GTP-U tunnels, and commonality of U-plane protocols.</u>
Editor for 3GPP RAN <a href="#">25.410</a> is:		
Richard Townend BT Tel.: +44 1473 605 429 Fax : +44 1473 623 683 Email : <a href="mailto:richard.townend@bt.com">richard.townend@bt.com</a>		
This document is written in Microsoft Word version 7/97.		