

Source: CN5 (OSA)
Title: Work Item Description OSA Stage 3 Rel5 (N5-010902) - replaces P-010463
Agenda item: 9.4
Document for: Approval

Summary of changes:

a) added to 10: New specification:

23.218		CN1		TSG#14 (12/01)	TSG#15 (03/02)	
--------	--	-----	--	----------------	----------------	--

See below and attachment

10 Expected Output and Time scale (to be updated at each plenary)

New specifications						
Spec No.	Title	Prime resp. WG	2ndary resp. WG(s)	Presented for information at plenary#	Approved at plenary#	Comments
29.xyz		CN5		TSG#14 (12/01)	TSG#15 (03/02)	
23.218		CN1		TSG#14 (12/01)	TSG#15 (03/02)	

b) For 14 (Classification of the WI)

The link with SA1's VHE1 Feature needs to be reflected in the updated Work Plan

The WI is a **Building Block**: parent **Features**:

- SA1's VHE1: Feature-level WI ID#1367: VHE enhancements (stages 1 and 2)
- SA1's OSA1: Feature-level WI ID#1637: OSA enhancements (stages 1 and 2)
- SA1's IMS: Feature-level WI ID#1273: Provisioning of IP-based multimedia services

Source: CN5
Title: Rel5 OSA Stage 3 - Draft Building Block level Work Item Description
Agenda Item: 10.2
Document for: Approval

Category: WID
Work Item ID: OSA2
Doc Summary:
Specs involved: 29.198, 29.998 and 23.218 (from CN1)

Work Item Description

Title: Open Service Access (OSA) Stage 3

1 3GPP Work Area

	Radio Access
X	Core Network
X	Services
	Terminals

2 Linked work items

- SA1's VHE1: Feature-level WI ID#1367: VHE enhancements (stages 1 and 2)
- SA1's OSA1: Feature-level WI ID#1637: OSA enhancements (stages 1 and 2)
- SA1's IMS: Feature-level WI ID#1273: Provisioning of IP-based multimedia services

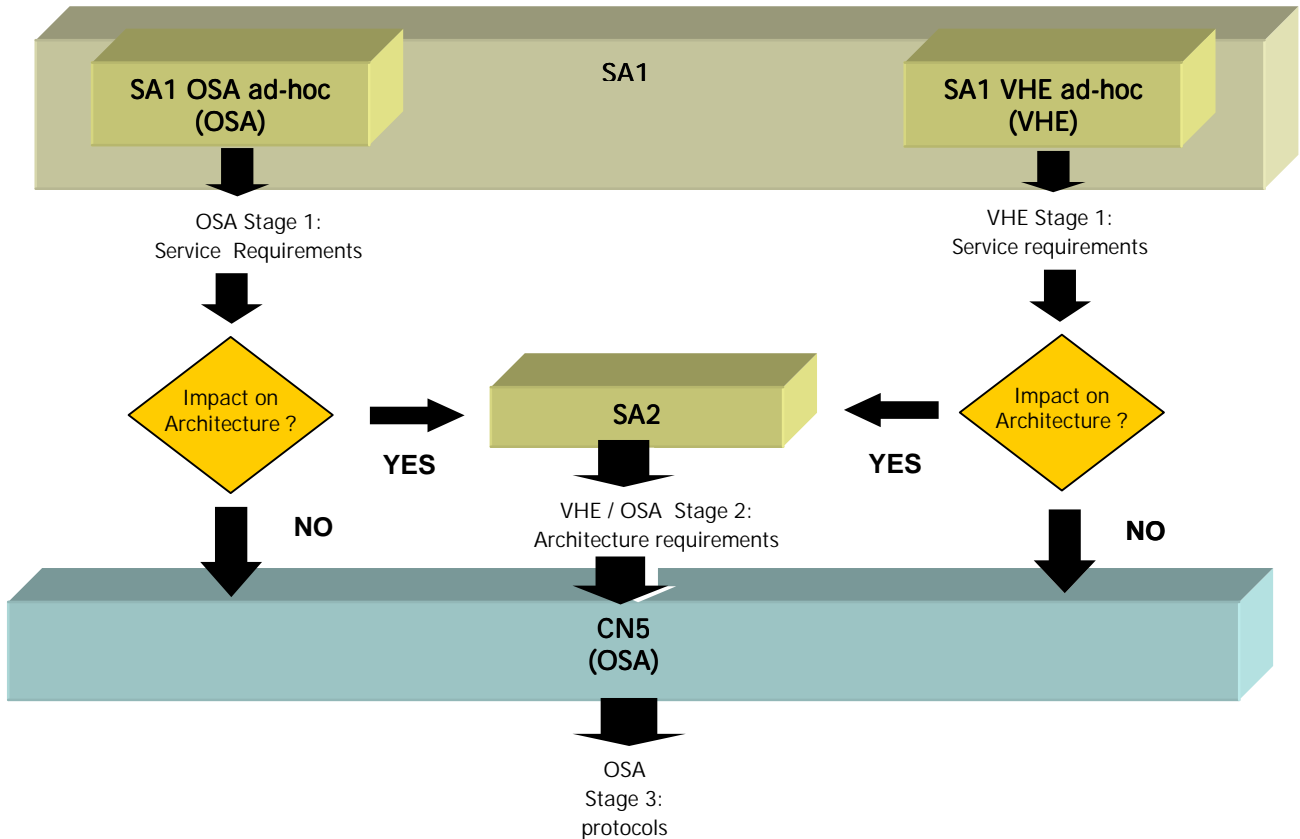
3 Justification

The Open Service Access (OSA) enables service application developers to make use of network functionality through open, standardised, secure, extensible and scalable interfaces. Applications see the network functionality offered to them as a set of Service Capability Features (SCFs) in the OSA Application Programming Interface (API). These SCFs provide access to the network capabilities on which the application developers can rely when designing their applications. The OSA API is independent of where or which network capabilities are implemented in the network, and of vendor specific solutions and programming languages.

A secure OSA API is a key enabler for the Virtual Home Environment (VHE) system concept, which requires users to be consistently presented with the same personalised services in whatever network and terminal, subject to the capabilities of both.

4 Objective

Within the organisation of 3GPP TSG CN (Core Network), CN5 is in charge of the stage 3 specifications of the OSA API. The functionality provided by the API is defined in terms of requirements and their impact in the overall architecture defined by 3GPP, as shown in the following figure:



The figure above depicts the main OSA workflow; besides, co-ordination with other 3GPP groups will be necessary in some areas, some of which have already been identified, like Charging (SA5), Security (SA3) and mapping of Multi-party Call Control to SIP / ISC (CN1).

Additionally CN5 is actively involved in liaisons of different natures with related bodies and fora, with the objective to ensure that there is a single API specified for the whole development community. In its joint work with these external bodies CN5 ensure that the 3GPP working procedures are respected – i.e. input from them is translated in terms of requirements and contributed to SA1.

5 Service Aspects

The OSA API stage 3 specifications will be aligned with the service provisioning architecture specified by 3GPP TSG SA (SA1 and SA2). As such, it will enable the provision of 3rd Party services for UMTS.

6 MMI-Aspects

None.

7 Charging Aspects

The OSA API stage 3 specifications will satisfy the charging requirements from SA1 and SA2 in co-operation with SA5, which will be found in TS 22.127 (version 5.0.0 already available) and TR 23.815 (still in draft form).

8 Security Aspects

The OSA API stage 3 specifications will satisfy the security requirements from SA1 and SA2 in co-operation with SA3. They can be found in TS 22.127 version 5.0.0, TS 22.121 version 5.1.0, TR 23.955 version 0.1.0, and in the security architecture.

9 Impacts

Affects:	USIM	ME	AN	CN	Others
Yes				X	
No	X	X	X		
Don't know					X

10 Expected Output and Time scale (to be updated at each plenary)

New specifications						
Spec No.	Title	Prime resp. WG	2ndary resp. WG(s)	Presented for information at plenary#	Approved at plenary#	Comments
29.xyz		CN5		TSG#14 (12/01)	TSG#15 (03/02)	
23.218		CN1		TSG#14 (12/01)	TSG#15 (03/02)	
Affected existing specifications						
Spec No.	CR	Subject		Approved at plenary#	Comments	
29.198				TSG#15 (03/02)		
29.998				TSG#15 (03/02)		

11 Work item raporteurs

Ard-Jan MOERDIJK (Ard-Jan.Moerdijk@ELN.ERICSSON.SE)

12 Work item leadership

CN5

13 Supporting Companies

Alcatel, BT, Ericsson, Lucent, Siemens, Marconi, Nokia

14 Classification of the WI (if known)

	Feature (go to 14a)
X	Building Block (go to 14b)
	Work Task (go to 14c)

14b The WI is a **Building Block**: parent **Features**:

- SA1's VHE1: Feature-level WI ID#1367: VHE enhancements (stages 1 and 2)
- SA1's OSA1: Feature-level WI ID#1637: OSA enhancements (stages 1 and 2)
- SA1's IMS: Feature-level WI ID#1273: Provisioning of IP-based multimedia services

15 Work Tasks under this Building Block

Building Block	Work Task	Description	Release
OSA Stage 3	WT 1: OSA API specification	Definition of the OSA API interface classes, and their methods and detailed behaviour, in line with release 5 requirements and architecture.	Release 5
OSA Stage 3	WT 2: OSA API IDL	IDL specification of the OSA API	Release 5
OSA Stage 3	WT 3: OSA API mapping	Functional mapping of OSA interfaces to UMTS network protocols ()	Release 5
OSA Stage 3	WT 3.1: OSA API mapping	Mapping of Multi-party Call Control to SIP / ISC. CN1 has requested CN5 to contribute in this area (i.e. to complete Clause 12 of TS 23.218).	Release 5