

TSGN#11(01)0130

Meeting #11, Palm Springs, CA, USA, 14-16 March 2001



TSG-CN WG5 (Telecom Management) Status Report

Reported by

**Lucas KLOSTERMANN
TSG-CN WG5 Chair**

A GLOBAL INITIATIVE

TSGN#11(01)0130

Meeting #11, Palm Springs, CA, USA, 14-16 March 2001



3GPP SA5 Officers

- **Chair** – since 05/00
Lucas KLOSTERMANN (Ericsson L.M.)
- **Vice Chair** – since 05/00
Chelo ABARCA (Alcatel S.A.)
- **Co-Chairs in Parlay, SPAN12 joint meetings**
Frans HAERENS (Alcatel Bell) - representing ETSI SPAN12
Richard STRETCH (BT) - representing Parlay
- **Secretary** – since 01/00
Adrian ZOICAS (MCC)

A GLOBAL INITIATIVE

TSGN#11(01)0130

Meeting #11, Palm Springs, CA, USA, 14-16 March 2001



Meetings

- **CN5 #08**
 - 18 – 20 December 2000 in Scottsdale, Arizona, USA
 - Full report in N5-000347 (NP-010171)
- **CN5 #09**
 - 6 – 8 February 2001 in Helsinki, Finland hosted by NOKIA
 - Attended by 33 delegates
 - Full report in N5-010096/7 (NP-010172)
- **CN5 ad-hocs**
 - 20 February 2001 & 2 March 2001 both in Antwerp, Belgium hosted by Alcatel Bell
- **CN5 #10**
 - 5 – 7 March 2001 in Antwerp, Belgium hosted by Alcatel Bell
 - Attended by 34 delegates
 - Draft report in N5-010233 (NP-010173)

TSGN#11(01)0130

Meeting #11, Palm Springs, CA, USA, 14-16 March 2001



Administrative /Organizational

- **CN5's Terms of Reference, approved as NP-000305 at CN#8 in Düsseldorf/ Germany 21 – 23 June 2000, were revised and are submitted in NP-010132 to CN for approval**

A GLOBAL INITIATIVE

TSGN#11(01)0130

Meeting #11, Palm Springs, CA, USA, 14-16 March 2001



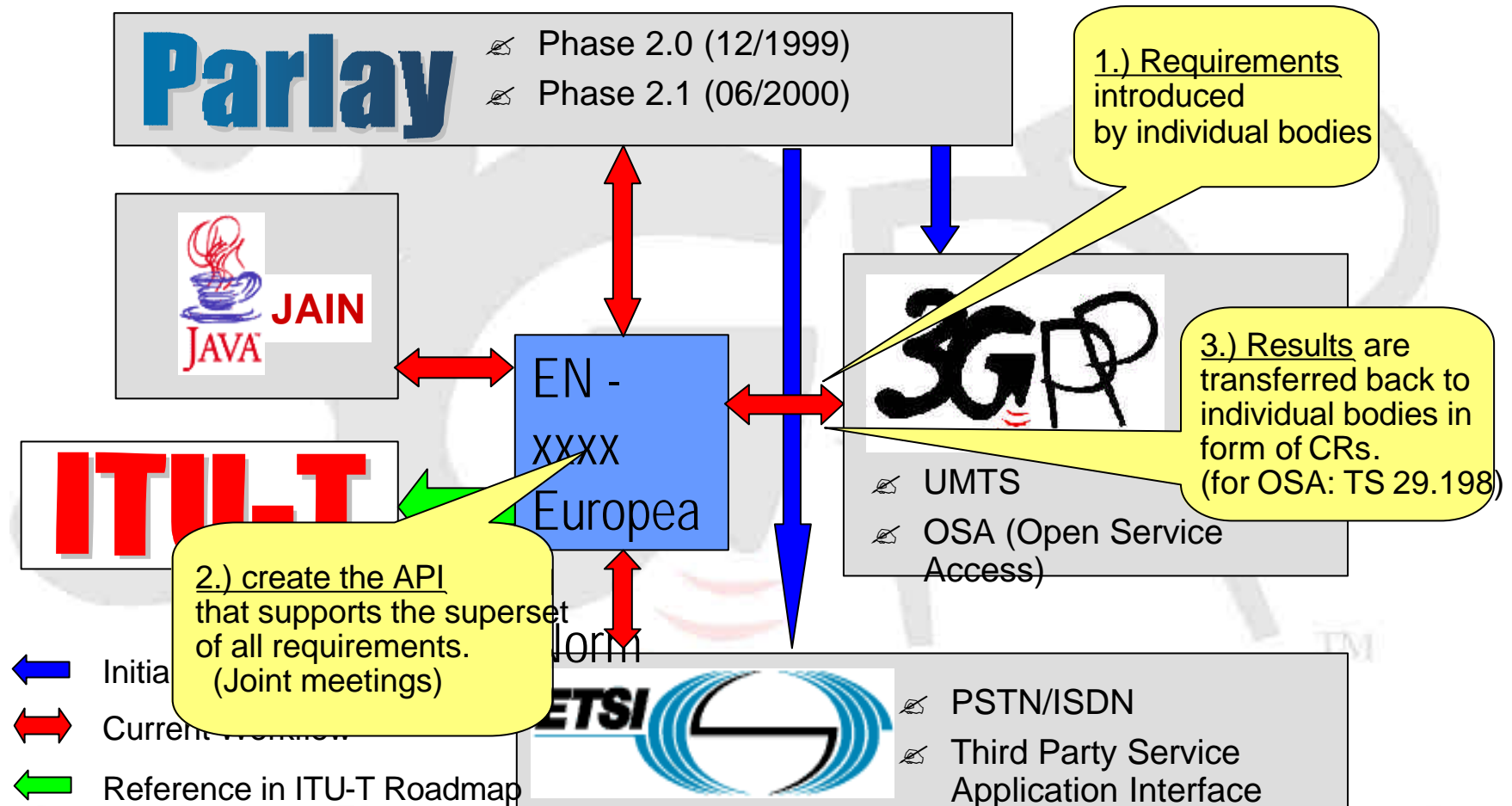
Inter-Organizational

The 3GPP OSA API specification has been defined jointly between:

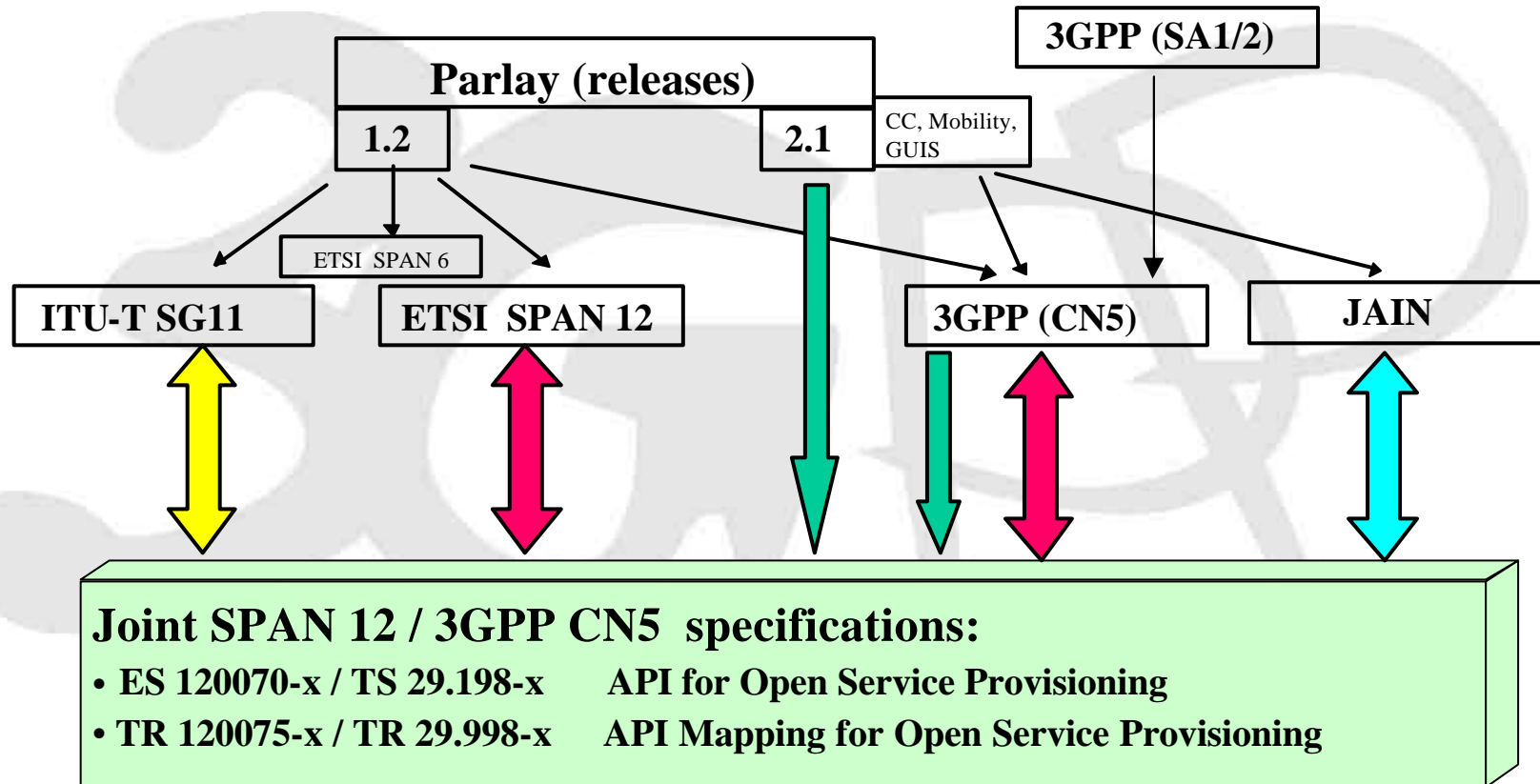
- **3GPP TSG CN WG5,**
- **ETSI SPAN12 (<http://www.etsi.org/span>) and the**
- **Parlay consortium (<http://www.parlay.org>),**
in co-operation with the
- **JAIN consortium (<http://www.jain.org>)**

A GLOBAL INITIATIVE

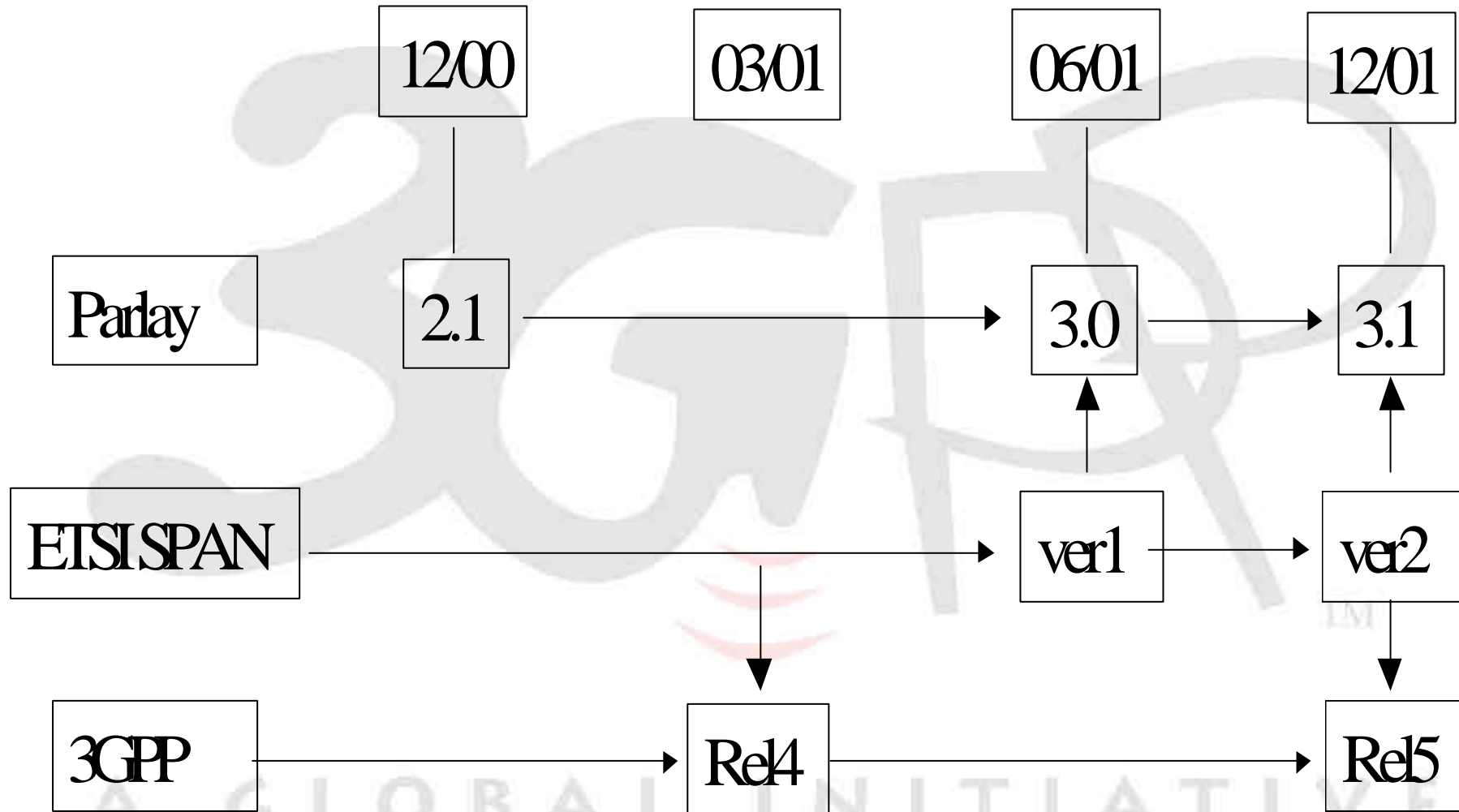
Relation to Standardisation Bodies



Open Service Access (OSA) standardisation: Application Programming Interfaces (APIs)



Relation to Standardisation Bodies



TSGN#11(01)0130

Meeting #11, Palm Springs, CA, USA, 14-16 March 2001



Inter-Organizational

Mapping between Parlay, ETSI SPAN12 & 3GPP (CN5, SA1, SA2)

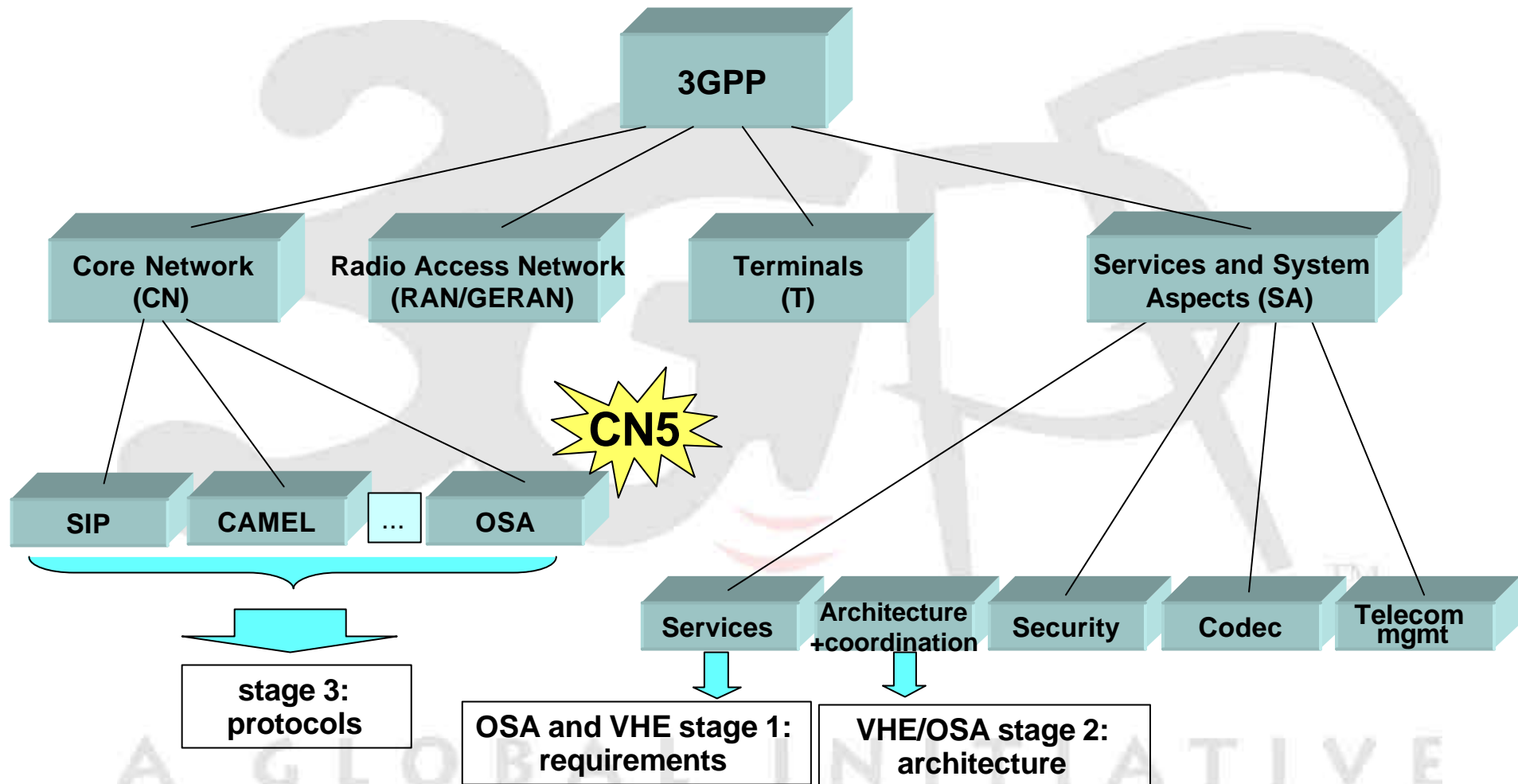
	Parlay	ETSI SPAN12	3GPP R99	3GPP Rel4	3GPP Rel5
12/2000	Ver 2.1				
03/2001				Rel4 - input	
06/2001	Ver 3.0	Ver 1		Rel4 – under CR	
12/2001	Ver 3.1	Ver 2			Rel5
OSA Stage 1		??	n.a.	22127-400 (S1) Service aspects; Stage 1 Service Requirement for the Open Service Access	??
VHE Stage 1 VHE		??	22121-330 (S1) VHE 23127-330 (S2)	22121-400 (S1) Service aspects; Virtual Home Environment (VHE) (Release 4) 23127-400 (S2)	??
VHE Stage 2 VHE		??	VHE/OSA n.a.	Virtual Home Environment (VHE) (Release 4) 23995-010 (S2)	??
OSA Stage 2/3		120070	29198-320 (N5) OSA API part 1 n.a.	n.a.	n.a.
		120070-1 OSA API Part 1: Overview	n.a.	29198-400-1 OSA API Part 1: Overview	29198-500-1
		120070-2 OSA API	n.a.	29198-400-2 OSA API	29198-500-2
		Part 2: Common Data Definitions 120070-3 OSA API	n.a.	Part 2: Common Data Definitions 29198-400-3 OSA API	29198-500-3
		Part 3: Framework 120070-4 OSA API	n.a.	Part 3: Framework 29198-400-4 OSA API	29198-500-4
		Part 4: Call Control SCF 120070-5 OSA API	n.a.	Part 4: Call Control SCF 29198-400-5 OSA API	29198-500-5
		Part 5: User Interaction SCF 120070-6 OSA	n.a.	Part 5: User Interaction SCF 29198-400-6 OSA API	29198-500-6
		Part 6: Mobility SCF 120070-7 OSA API	n.a.	Part 6: Mobility SCF 29198-400-7 OSA API	29198-500-7
		Part 7: Terminal Capabilities SCF 120070-8 OSA API	n.a.	Part 7: Terminal Capabilities SCF 29198-400-8	29198-500-8
		Part 8: Data Session Control SCF 120070-9 OSA API	n.a.	Part 8: Data Session Control SCF n.a.	29198-500-9
		Part 9: Generic Messaging SCF 120070-10 OSA API	n.a.	n.a.	29198-500-10
		Part 10: Connectivity Manager SCF 120070-11 OSA API	n.a.	29198-400-11 OSA API	29198-500-11
		Part 11: Charging SCF 120070-12 OSA API	n.a.	Part 11: Charging SCF 29198-400-12	29198-500-12
		Part 12: Accounting SCF		Part 12: Accounting SCF	



3GPP VHE and OSA

- 3GPP requires the support of the **VHE system concept**: *users should be consistently presented with the same personalized services whatever the network that serves them, and whatever the terminal they use*
- 3GPP has identified a set of VHE enabling toolkits: **OSA is one of them**

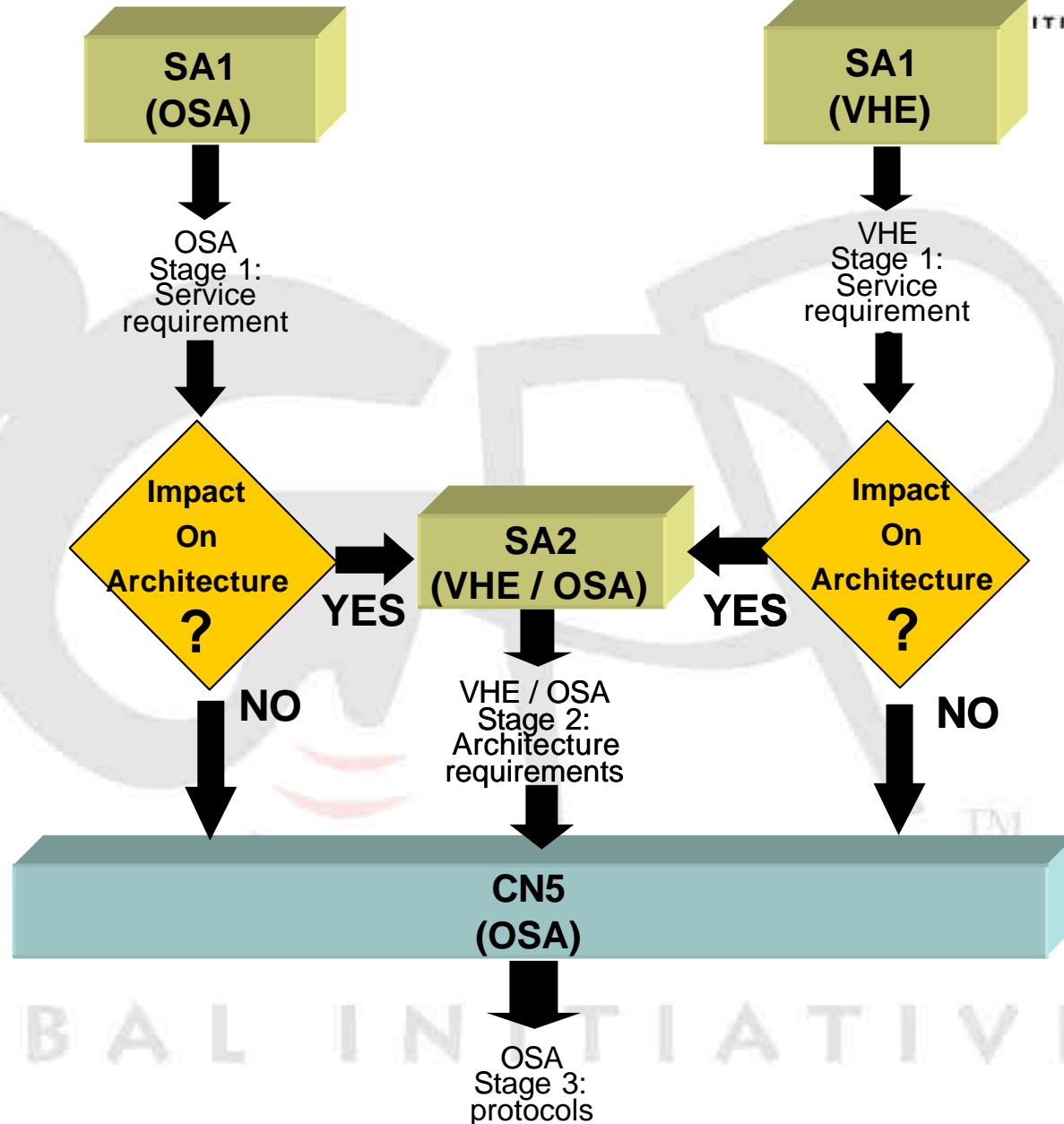
OSA in 3GPP



Requirements Flow

- SA1 OSA ad-hoc delivers OSA requirements
- SA1 VHE ad-hoc delivers VHE requirements, that may impact OSA (OSA is a VHE-enabling toolkit)
- SA2 VHE/OSA receives these two sets of requirements, and classifies them into:
 - those which have an architectural impact and thus need further elaboration
 - those which do not, and can be directly forwarded to CN5

OSA inside 3GPP



TSGN#11(01)0130

Meeting #11, Palm Springs, CA, USA, 14-16 March 2001



Technical, Release-99

- **2 Changes requested to 29.198 -- NP-010133**
CN approval is requested



A GLOBAL INITIATIVE

TSGN#11(01)0130

Meeting #11, Palm Springs, CA, USA, 14-16 March 2001



Technical, Work Planning

Feature: OSA enhancements (Rel4)

- Produced initial Rel4 version of Stage 1 (22.127) and Stage 2 (23.127).
- Stage 3 parts in 23.127 (SA2) need to be removed (CR) as agreed at SA#10; because of overlap/conflict with Stage 3 in 29.198 (CN5).
- Stage 3 major achievement: CN5/ ETSI SPAN12/ Parlay, in co-operation with JAIN, produced a common technical basis for OSA Stage 3 specifications.
CN5's 29.198/998-families contain a subset corresponding to requirements set by SA1.
At TSG#11 some parts of 29.198/998 are submitted for Information (v1.0.0), others for approval and placement other Change Control (v4.0.0) & some will only be available in Rel5.
TSG Approval Target for All Release 4 parts: 06/2001 (TSG#12)
- Major problem is the intra-3GPP co-ordination: SA2 OSA missing chairman vs. "rotating" convenor, SA1 just contacted SA5 (Charging), CN5/SA5 work overlap (Charging), SA3/CN5 communication (Security), SA1/T2 communication (Retrieval of Terminal capabilities),...

Technical, Work Planning (cont.)

Feature: OSA enhancements (Rel4)

- Interactions OSA / E-commerce (SA2) (Rel4): CN5 work on schedule
- OSA APIs for MuMa CC (SA2) (Rel5): CN5 work on schedule for Rel4
- OSA security (Rel5): Some delay (SA3). Problem: WI approved by SA3/SA (SP-000302) without knowledge of CN5 (action to clarify the situation is still pending).
- Retrieval of Terminal capabilities (Rel5): Some delay (SA1/CN5); Pending contact with T2 on WT “Provisioning of the terminal capabilities”.
- LCS - OSA interfaces (Rel4): CN5 work on schedule
- Charging (Rel?): SA2/CN5 work on schedule based on requirements from SA1;
- No work started in SA5; Clarification needed on work repartition CN5 vs. SA5.

Technical, Specifications to be created for Release 4

- **GSM (SMG3 inheritance) – NONE under CN5 custody**
- **3GPP Release 99 (29.198/998) OSA API & Mapping**
 - Should be split into a multi-part TS/TR in Rel-4

OSA API specifications 29.198-family		OSA API Mapping - 29.998-family	
29.198-1	Part 1: Overview	29.998-1	Part 1: Overview
29.198-2	Part 2: Common Data Definitions	29.998-2	Not Applicable
29.198-3	Part 3: Framework	29.998-3	Not Applicable
29.198-4	Part 4: Call Control SCF	29.998-4-1	Subpart 1: Generic Call Control – CAP mapping
		29.998-4-2	
29.198-5	Part 5: User Interaction SCF	29.998-5-1	Subpart 1: User Interaction – CAP mapping
		29.998-5-2	
		29.998-5-3	
		29.998-5-4	Subpart 4: User Interaction – SMS mapping
29.198-6	Part 6: Mobility SCF	29.998-6	User Status and User Location – MAP
29.198-7	Part 7: Terminal Capabilities SCF	29.998-7	Not Applicable
29.198-8	Part 8: Data Session Control SCF	29.998-8	Data Session Control – CAP mapping
29.198-9	Part 9: Generic Messaging SCF	29.998-9	Not Applicable
29.198-10	Part 10: Connectivity Manager SCF	29.998-10	Not Applicable
29.198-11	Part 11: Account Management	29.998-11	Not Applicable
29.198-12	Part 12: Charging SCF	29.998-12	Not Applicable

TSGN#11(01)0130

Meeting #11, Palm Springs, CA, USA, 14-16 March 2001



Future CN5 Meetings

... aligned with Parlay & ETSI SPAN12

Meeting	Date	Location	Host
Ad-hoc CN5-SPAN12	18 - 20 April 2001	Antwerp, Belgium	Alcatel Bell
CN5-SPAN12-#11	21 - 24 May 2001	San Diego, USA	Parlay
TSG#12	13 - 21 Jun 2001	Stockholm, Sweden	Ericsson
CN5-SPAN12-#12	16 - 19 July 2001	Sophia Antipolis,	ETSI (SPAN12)
CN5-SPAN12-#13	10 - 13 Sep 2001 [AZ1]	Munich / Germany	Parlay
TSG#13	19 - 27 Sep 2001	TBD, China	Lucent / CWTS
CN5-SPAN12-#14	16 - 18 October 2001		
CN5-SPAN12-#15	4 - 6 December 2001		
TSG#14	12 - 20 Dec 2001	TBD, Japan	TTC

[\[AZ1\]](#) Conflict with the 3GPP rule not allowing WG meetings the week before the TSG plenary meetings!