

Subject: ASCII service CRs for CN#7 submission

Source: ASCII rapporteurs / STF 139/ UIC / Nortel / Siemens / Kapsch / Sagem,
GSM-R SPECIAL TASK FORCE

The ASCII rapporteurs would like CN plenary to consider for approval 2 groups of CRs that have already been approved by all relevant manufacturing companies that are involved in the GSM-Railways project, and need further approval from ETSI.

The CRs have only impact on equipment implementing the ASCII features Voice Group Call Service (VGCS) and Enhanced Multi-Level Priority and Pre-emption (eMLPP). Companies currently implementing these features are Nortel, Siemens, Kapsch and Sagem.

The CRs to 03.67 and 23.067 have been distributed onto the CN distribution list and will be presented to CN#7.

Here is below a synopsis of each CR including why the CRs are needed and if applicable why the CRs may have not been fully approved by working sub-groups (e.g. SS ad-hoc):

1 CR set (Releases 97 – category C3 – 98, 99) removes the usage of a cause inside the HOLD message. The usage of a cause value 'pre-emption' in the HOLD message is not necessary and is not possible due to the fact that the HOLD message does not contain a cause IE in the stage 3, GSM 04.08. It is therefore removed to align 03.67 to 04.08. The CR applies to 03.67 and 23.067 for R99.

The CR has been sent to the SS Ad-hoc distribution list for approval. But due to the short notice and probably the lack of relevance for the SS ad-hoc delegates, as this is an ASCII CR, very few interest and replies were shown on the distribution list.

1 CR set (Release 99) that allows the Priority update to be made by the use of assignment procedure. The CR applies to 23.067. If the priority could not be updated there could be an inconsistency in priority between the MS/ BSS and the GCR.

The CR has been sent to the SS Ad-hoc distribution list for approval. But due to the short notice and probably the lack of relevance for the SS ad-hoc delegates, as this is an ASCII CR, very few interest and replies were shown on the distribution list.

Hopefully, the CN plenary will take some time in considering these CRs that are needed for the progress of the GSM-R project and the ASCII services standardisation.

End of document

Request Sheet for Technical document numbers and Change request numbers

Please fill in all necessary entries in the table below. Please change the file name to indicate your name and meeting number. (Ex. MonicaNSS#5.doc)

N-SS meeting #5

Name: SFT 139

Company: Nortel, Siemens, Kapsch, Sagem

Date: 09/03/00

TDoc #	spec	CR #	Revi	categ	version	Title	Source	WI
<i>U-00-35ss</i>	03.67	A004	0	F (C3)	6.0.0	Cause pre-emption removed from HOLD message.	STF 139	ASCI
<i>U-00-35ss-r98</i>	03.67	A005	0	A	7.0.0	Cause pre-emption removed from HOLD message.	STF 139	ASCI
<i>U-00-35ss-r99</i>	23.067	001	0	A	3.0.0	Cause pre-emption removed from HOLD message.	STF 139	ASCI
<i>U-00-16ss</i>	23.067	002	0	C	3.0.0	Priority update by the use of Assignment procedure	STF 139	ASCI

Guideline for usage of:

CR = Change Request, Rev.= revision of the CR, Cat = Category of the CR, Version=current version of the specification

WI = Work Item,

CHANGE REQUEST No :		002	<i>Please see embedded help file at the bottom of this page for instructions on how to fill in this form correctly.</i>	
Technical Specification GSM		23.067	Version:	3.0.0
Submitted to SMG	<input type="text"/>	for approval	<input type="text"/>	without presentation ("non-strategic") <input type="text"/>
<i>list SMG plenary meeting no. here ↑</i>		for information	<input type="text"/>	with presentation ("strategic") <input type="text"/>

PT SMG CR cover form is available from: http://docbox.etsi.org/tech-org/smg/Document/smg/tools/CR_form/crf28_1.zip

Proposed change affects: SIM ME Network
(at least one should be marked with an X)

Work item: ASCI

Source: STF 139 **Date:** 09.03.00

Subject: Priority update by the use of assignment procedure

Category: <i>(one category and one release only shall be marked with an X)</i>	F Correction	<input type="checkbox"/>	Release: Phase 2	<input type="checkbox"/>
	A Corresponds to a correction in an earlier release	<input type="checkbox"/>	Release 96	<input type="checkbox"/>
	B Addition of feature	<input type="checkbox"/>	Release 97	<input type="checkbox"/>
	C Functional modification of feature	<input checked="" type="checkbox"/>	Release 98	<input type="checkbox"/>
	D Editorial modification	<input type="checkbox"/>	Release 99	<input checked="" type="checkbox"/>

Reason for change: This CR clarifies that priority may be modified by the use of an ASSIGNMENT_REQUEST procedure.

Clauses affected: Section 4

Other specs affected:	Other releases of same spec	<input type="checkbox"/>	→ List of CRs:	<input type="text"/>
	Other core specifications	<input type="checkbox"/>	→ List of CRs:	<input type="text"/>
	MS test specifications / TBRs	<input type="checkbox"/>	→ List of CRs:	<input type="text"/>
	BSS test specifications	<input type="checkbox"/>	→ List of CRs:	<input type="text"/>
	O&M specifications	<input type="checkbox"/>	→ List of CRs:	<input type="text"/>

Other comments:

The priority level of a call shall be determined by the MSC. Accordingly, the MSC shall request channel assignment with an indication of the priority level and the pre-emption capability of that call. For this the MSC shall use the priority message element as defined in GSM 08.08. Mapping of the priority information in this message element on the network specific eMLPP configuration shall be performed in the MSC. Queuing and resource pre-emption shall be performed accordingly if necessary. This Priority message element may be updated by the MSC using an assignment procedure on the same SCCP connection and with the same terrestrial resource.

In addition to the priority signalling, the requirement for a direct assignment of a TCH shall be included in the establishment cause of the CHAN_REQ message in order to support a fast call set-up procedure in the BSC at the earliest possible stage of the call establishment for high priority calls if applicable.

Automatic answering or, if necessary, called-party pre-emption has to be performed by the Mobile Station as defined in the following:

- point-to-point calls:
If the user is in idle mode, the Mobile Station shall automatically connect to an incoming call of a sufficient priority level. The priority level shall be included in the paging message and in the set-up message. If the user is in dedicated mode and has a subscription to Call Waiting, a Call Waiting indication including the priority level of the call shall be given to the Mobile Station which automatically accepts the waiting call. There is no called party pre-emption for point-to-point calls without Call Waiting.
- voice group calls and voice broadcast calls:
Notifications for other voice group calls, voice broadcast calls or information on paging for point-to-point calls shall be given to the Mobile Stations involved in on-going voice group calls or voice broadcast calls as defined in GSM 03.68 and GSM 03.69, respectively. The notifications include the related priority level of the call. In case of a notified call with higher priority where called-party pre-emption applies, the Mobile Station shall automatically leave the on-going voice group call or voice broadcast call and react according to the type of the notified call type.

For both cases, the priority level applied shall be included, either in the paging message or Call Waiting indication, or in the notification message, in order to enable the Mobile Station to decide on an automatic reaction (automatic answering or called-party pre-emption) or to indicate the incoming, non pre-empting call to the user.

The priority information of the assignment request shall also be applied for BSS internal handover. For external handover, the MSC shall include the priority information in the handover request according to the definition in GSM 08.08 in the same way as for the assignment request

CHANGE REQUEST No :		A004	<i>Please see embedded help file at the bottom of this page for instructions on how to fill in this form correctly.</i>	
Technical Specification GSM		03.67	Version:	6.0.0
Submitted to SMG	<input type="checkbox"/>	for approval	<input type="checkbox"/>	without presentation ("non-strategic") <input type="checkbox"/>
<i>list SMG plenary meeting no. here ↑</i>		for information	<input type="checkbox"/>	with presentation ("strategic") <input type="checkbox"/>

PT SMG CR cover form is available from: http://docbox.etsi.org/tech-org/smg/Document/smg/tools/CR_form/crf28_1.zip

Proposed change affects: SIM ME Network
(at least one should be marked with an X)

Work item: ASCI

Source: STF 139 **Date:** 09.03.00

Subject: Cause pre-emption removed from HOLD message.

Category: <i>(one category and one release only shall be marked with an X)</i>	F Correction	<input checked="" type="checkbox"/>	Release: Phase 2	<input type="checkbox"/>
	A Corresponds to a correction in an earlier release	<input type="checkbox"/>	Release 96	<input type="checkbox"/>
	B Addition of feature	<input type="checkbox"/>	Release 97	<input checked="" type="checkbox"/>
	C Functional modification of feature	<input type="checkbox"/>	Release 98	<input type="checkbox"/>
	D Editorial modification	<input type="checkbox"/>	Release 99	<input type="checkbox"/>

Reason for change: Category C3.
The usage of a cause value 'pre-emption' in the HOLD message is not necessary and had not been introduced into stage 3. It is therefore removed to align 03.67 to stage 04.08.

Clauses affected: 11.6 (HOLD message below fig 5)

Other specs affected:	Other releases of same spec	<input checked="" type="checkbox"/>	→ List of CRs:	R98 and R99
	Other core specifications	<input type="checkbox"/>	→ List of CRs:	
	MS test specifications / TBRs	<input type="checkbox"/>	→ List of CRs:	
	BSS test specifications	<input type="checkbox"/>	→ List of CRs:	
	O&M specifications	<input type="checkbox"/>	→ List of CRs:	

Other comments:

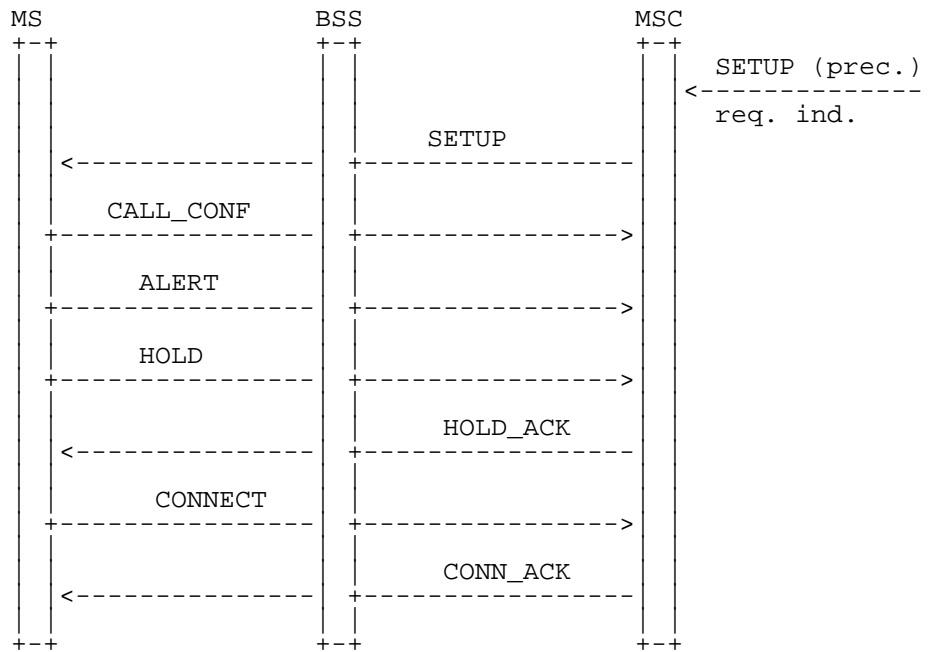


Figure 5: Signalling information required for the called-party pre-emption in case of an existing telephony call and subscription for HOLD

Call Waiting should always be subscribed together with eMLPP. If not, no called party pre-emption is possible for point-to-point calls.

SETUP (prec.) req. ind.: In addition to the basic call requirements, the contents of the set-up information flow shall contain the information on the requested MLPP priority level.

SETUP: Modified SETUP message with an indication of the priority level.

CALL_CONF: Standard message with cause user busy.

On reception of the SETUP message a compatible Mobile Station decides on called party pre-emption. If called party pre-emption applies, the Mobile Station shall automatically accept the waiting call and put the other call on hold.

A non compatible Mobile Station shall not be harmed by the priority information and shall perform Call Waiting functions as normal.

ALERT: Standard message. ALERTING may be omitted in case of called party pre-emption.

HOLD: Standard message. ~~A new cause for called party pre-emption shall be included.~~

HOLD_ACK: Standard message.

CONNECT: Standard message.

CONN_ACK: Standard message.

NOTE: In case of an incoming data call a mode modify procedure has to be performed which is not included in figure 5.

CHANGE REQUEST No :		A005	<i>Please see embedded help file at the bottom of this page for instructions on how to fill in this form correctly.</i>	
Technical Specification GSM		03.67	Version:	7.0.0
Submitted to SMG		for approval		without presentation ("non-strategic")
<i>list SMG plenary meeting no. here ↑</i>		for information		with presentation ("strategic")

PT SMG CR cover form is available from: http://docbox.etsi.org/tech-org/smg/Document/smg/tools/CR_form/crf28_1.zip

Proposed change affects: SIM ME Network
(at least one should be marked with an X)

Work item: ASCI

Source: STF 139 **Date:** 09.03.00

Subject: Cause pre-emption removed from HOLD message.

Category: <i>(one category and one release only shall be marked with an X)</i>	F Correction	<input type="checkbox"/>	Release: Phase 2	<input type="checkbox"/>
	A Corresponds to a correction in an earlier release	<input checked="" type="checkbox"/>	Release 96	<input type="checkbox"/>
	B Addition of feature	<input type="checkbox"/>	Release 97	<input type="checkbox"/>
	C Functional modification of feature	<input type="checkbox"/>	Release 98	<input checked="" type="checkbox"/>
	D Editorial modification	<input type="checkbox"/>	Release 99	<input type="checkbox"/>

Reason for change: The usage of a cause value 'pre-emption' in the HOLD message is not necessary and had not been introduced into stage 3. It is therefore removed to align 03.67 to stage 04.08.

Clauses affected: 11.6 (HOLD message below fig 5)

Other specs affected:	Other releases of same spec	<input checked="" type="checkbox"/>	→ List of CRs:	R97 and R99
	Other core specifications	<input type="checkbox"/>	→ List of CRs:	
	MS test specifications / TBRs	<input type="checkbox"/>	→ List of CRs:	
	BSS test specifications	<input type="checkbox"/>	→ List of CRs:	
	O&M specifications	<input type="checkbox"/>	→ List of CRs:	

Other comments:

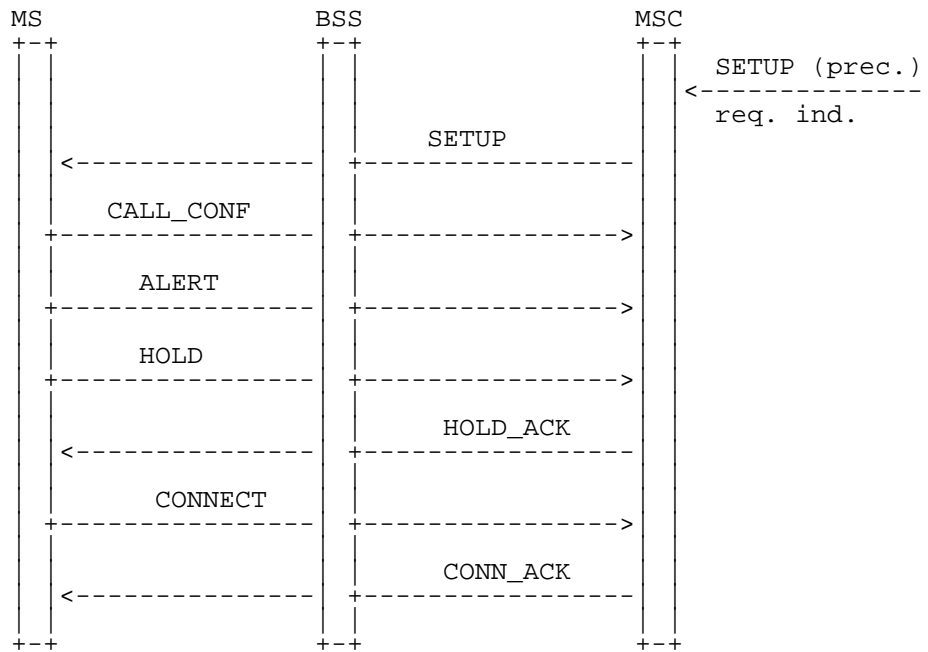


Figure 5: Signalling information required for the called-party pre-emption in case of an existing telephony call and subscription for HOLD

Call Waiting should always be subscribed together with eMLPP. If not, no called party pre-emption is possible for point-to-point calls.

SETUP (prec.) req. ind.: In addition to the basic call requirements, the contents of the set-up information flow shall contain the information on the requested MLPP priority level.

SETUP: Modified SETUP message with an indication of the priority level.

CALL_CONF: Standard message with cause user busy.

On reception of the SETUP message a compatible Mobile Station decides on called party pre-emption. If called party pre-emption applies, the Mobile Station shall automatically accept the waiting call and put the other call on hold.

A non compatible Mobile Station shall not be harmed by the priority information and shall perform Call Waiting functions as normal.

ALERT: Standard message. ALERTING may be omitted in case of called party pre-emption.

HOLD: Standard message. ~~A new cause for called party pre-emption shall be included.~~

HOLD_ACK: Standard message.

CONNECT: Standard message.

CONN_ACK: Standard message.

NOTE: In case of an incoming data call a mode modify procedure has to be performed which is not included in figure 5.

CHANGE REQUEST No :		001	<i>Please see embedded help file at the bottom of this page for instructions on how to fill in this form correctly.</i>	
Technical Specification GSM		23.067	Version:	3.0.0
Submitted to SMG	<input type="text"/>	for approval	<input type="text"/>	without presentation ("non-strategic") <input type="text"/>
<i>list SMG plenary meeting no. here ↑</i>		for information	<input type="text"/>	with presentation ("strategic") <input type="text"/>

PT SMG CR cover form is available from: http://docbox.etsi.org/tech-org/smg/Document/smg/tools/CR_form/crf28_1.zip

Proposed change affects: SIM ME Network
(at least one should be marked with an X)

Work item: ASCI

Source: STF 139 **Date:** 09.03.00

Subject: Cause pre-emption removed from HOLD message.

Category: <i>(one category and one release only shall be marked with an X)</i>	F Correction	<input type="checkbox"/>	Release: Phase 2	<input type="checkbox"/>
	A Corresponds to a correction in an earlier release	<input checked="" type="checkbox"/>	Release 96	<input type="checkbox"/>
	B Addition of feature	<input type="checkbox"/>	Release 97	<input type="checkbox"/>
	C Functional modification of feature	<input type="checkbox"/>	Release 98	<input type="checkbox"/>
	D Editorial modification	<input type="checkbox"/>	Release 99	<input checked="" type="checkbox"/>

Reason for change: The usage of a cause value 'pre-emption' in the HOLD message is not necessary and had not been introduced into stage 3. It is therefore removed to align 03.67 to stage 04.08.

Clauses affected: 11.6 (HOLD message below fig 5)

Other specs affected:	Other releases of same spec	<input checked="" type="checkbox"/>	→ List of CRs:	R97 and R98
	Other core specifications	<input type="checkbox"/>	→ List of CRs:	
	MS test specifications / TBRs	<input type="checkbox"/>	→ List of CRs:	
	BSS test specifications	<input type="checkbox"/>	→ List of CRs:	
	O&M specifications	<input type="checkbox"/>	→ List of CRs:	

Other comments:

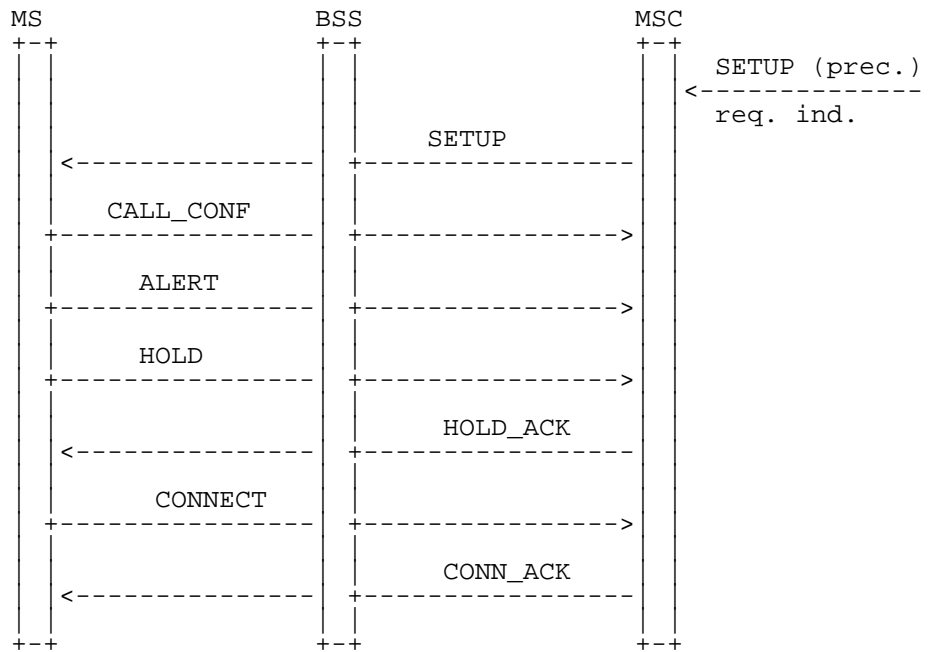


Figure 5: Signalling information required for the called-party pre-emption in case of an existing telephony call and subscription for HOLD

Call Waiting should always be subscribed together with eMLPP. If not, no called party pre-emption is possible for point-to-point calls.

SETUP (prec.) req. ind.: In addition to the basic call requirements, the contents of the set-up information flow shall contain the information on the requested MLPP priority level.

SETUP: Modified SETUP message with an indication of the priority level.

CALL_CONF: Standard message with cause user busy.

On reception of the SETUP message a compatible Mobile Station decides on called party pre-emption. If called party pre-emption applies, the Mobile Station shall automatically accept the waiting call and put the other call on hold.

A non compatible Mobile Station shall not be harmed by the priority information and shall perform Call Waiting functions as normal.

ALERT: Standard message. ALERTING may be omitted in case of called party pre-emption.

HOLD: Standard message. ~~A new cause for called party pre-emption shall be included.~~

HOLD_ACK: Standard message.

CONNECT: Standard message.

CONN_ACK: Standard message.

NOTE: In case of an incoming data call a mode modify procedure has to be performed which is not included in figure 5.