

Source: SA2
Title: LS on CBC-RNC Protocol Responsibility
Agenda item: 4.1
Document for: Information

*3GPP_TSG_SA_WG2#9
26th - 29th October 1999
London, GB*

Tdoc S2-99C38

Title:LS on CBC-RNC Protocol Responsibility

Source: SA2

Liaison to:RAN3, N1, N2, T2-SWG3.

CC:RAN, N, RAN2.

(Reaction to N1-99A88/S2-99A51, T2-99872/S2-99A74, N2-99C92/S2-99A47)

SA2 has taken the working assumption to integrate the CBC into the Core Network and proposed a new protocol over the Iu interface, the CBC-RNC protocol. This led to a quite active discussion between the 3GPP groups. The status is the following:

RAN Group:

During the recent RAN plenary the CBC-RNC protocol was considered as a release 99 feature to be completed before RAN#7, March 2000.

RAN 3 is supporting this work and sees clear responsibility for the protocol as it is terminated in the RNC and part of the Iu interface.

N Groups:

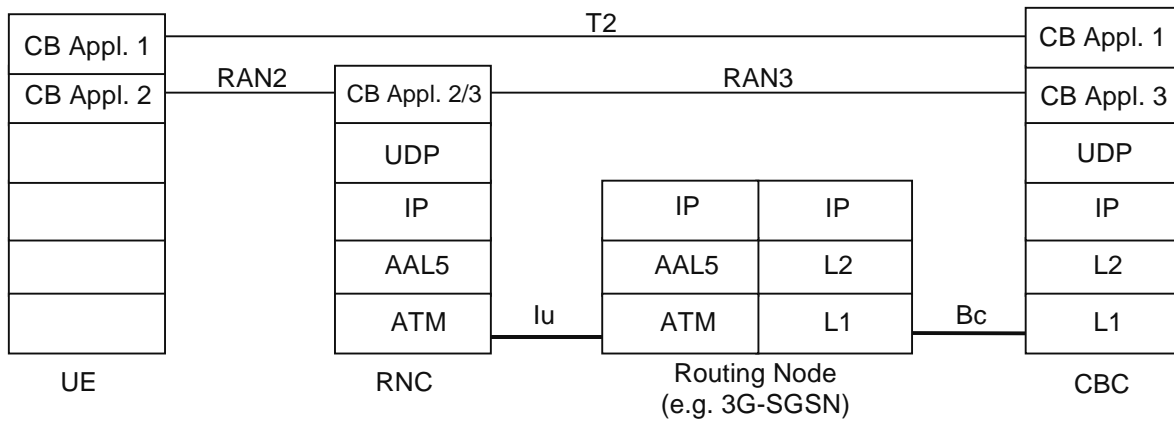
N1 has stated in S2-99A51 (N1-99A88) that they see some kind of responsibility because the CBC should be part of the core network but until now they have no expertise in that field.

N2 sees responsibilities only for the interface between the CBC and the SGSN, which will mainly provide transport functionality. Additionally due to the work load they advised S2 to consider the specification beyond release 99.

T Groups:

T2 sees the responsibilities for the protocol outside their group.

Based on this status S2 likes to recommend the split of functionality as shown in the figure.



Protocol Responsibilities for CBS

Explanation: *CB Appl 1* provides the description of the information passed from the CBC to the UE at the highest layer. This is not changed by the RNC. *CB Appl. 2* provides the lower level UE function and *CB Appl 3* is the protocol used between CBC and RNC.

In particular, the cell broadcast protocol between the CBC and the RNC should be in the responsibility of RAN3 as the working group has most of the expertise to specify the protocol.