

3GPP/PCG#7 Meeting
Tokyo, Japan
8 October 2001

3GPP/PCG#7(01)06

5 October 2001
page 1 of 15

Source: TSG CN Chairman

Title: TSG CN Management Report

Agenda item: 4.2

Document for:

Decision	
Discussion	
Information	X

TSG-CN Management Report

Stephen Hayes
Chair TSG-CN
stephen.hayes@ericsson.com
+1 469 360 8500

A GLOBAL INITIATIVE

Release '99 and earlier Status

- **R'99 in maintenance mode**
- **TSG-CN is discouraging changes to R'99 or earlier**
 - Only “essential” corrections, or
 - CRs with unanimous support
- **GPRS issues at maintenance level**
- **Multicall**
 - Long standing issue with multicall handover priority (voting did not break the deadlock)

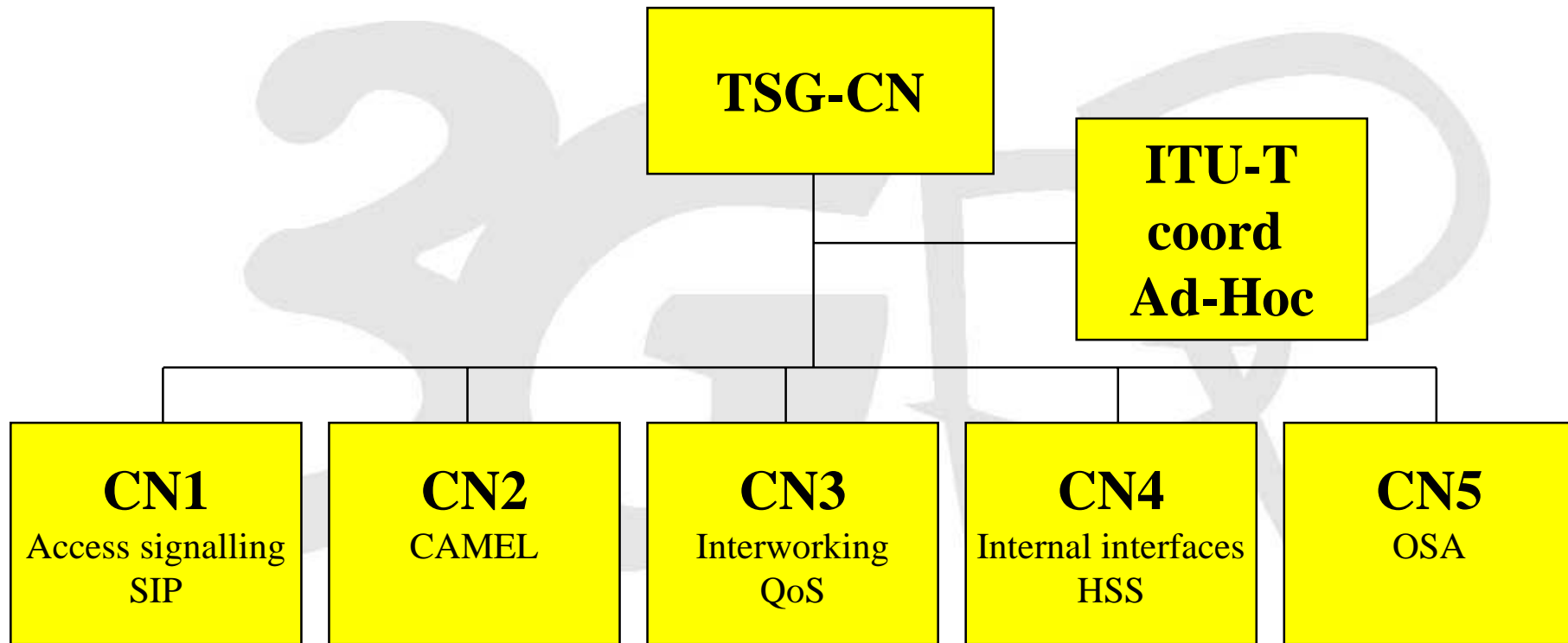
Release 4 Status

- **Release 4 in maintenance mode**
- **SS7/IP**
 - **M3UA still not completed in IETF**

Release 5 Status (CN WIs)

- SIP Call Control Protocol (CN1)
- CAMEL Phase 4 (CN2)
- End to end QoS - Stage 3 (CN3)
- Interworking: IM CN Subsystem and CS networks (CN3)
- Interworking: IM CN Subsystem and IP networks (CN3)
- Service Change and UDI Fallback (CN3)
- Cx (HSS to S-CSCF) Stage 3 (CN4)
- Emergency Call Enhancements for PS Domain (CN4)
- AMR-WB: CN Aspects (CN4)
- Feasibility study: SS7 signalling over SUA (CN4)
- OSA Stage 3 - Release 5 (CN5)

TSG-CN Organization



A GLOBAL INITIATIVE

- **Primary Responsibilities**
 - Access Signalling (A, Gb, and Iu interfaces)
 - SIP protocol work
 - Hosts joint meetings with other CN groups on joint specs
- **Workload**
 - Very heavily loaded
 - Access signalling accounts for over half of workload
 - Attendance: 60-80 people
- **SIP Work in Progress**
 - Critical Dependency on IETF drafts
- **Leadership**
 - Chair: Hannu Hietalahto (Nokia)
 - Vice Chair: Andrew Howell (Motorola)
 - Secretary: Per Johan Jorgensen

CN2 Status

- **Primary Responsibilities**
 - CAMEL
- **Workload**
 - Moderately loaded
 - Attendance: 20-30 people
- **CAMEL Ph 4 Progressing**
- **Leadership**
 - Chair: Keijo Palviainen (Nokia)
 - Vice Chair: Michel Grech (Lucent)
 - Secretary: Andrijana Jurisic

CN3 Status

- **Primary Responsibilities**
 - External Interworking
 - IP QoS
- **Workload**
 - Moderately Loaded
 - Attendance: 20-30 people
- **Leadership**
 - Chair: Norbert Klehn (Siemens)
 - Vice Chair: Vacant
 - Secretary: David Boswarthick

A GLOBAL INITIATIVE

- **Primary Responsibilities**

- MAP, GTP
- BICC split
- HSS interfaces and functions
- TrFO
- SS7/IP

- **Workload**

- Heavily loaded
- Major load reduction after Rel 4 done (BICSCN, TrFO, SS7 over IP)
- Attendance: 40-60 people

- **Leadership**

- Chair: Ian Park (Vodafone)
- Vice Chair: Peter Schmitt (Siemens)
- Vice Chair: Toshiyuki Tamura (NEC)
- Secretary: Kimmo Kymalainen

CN5 Status

- **Primary Responsibilities**
 - OSA
- **Workload**
 - Moderately loaded
 - Meets jointly with Parlay, Span 12
 - Attendance: 30-40 people
- **Uses relevant parts of Parlay spec**
- **Leadership**
 - Chair: Ard-Jan Moerdijk (Ericsson)
 - Vice Chair: Vacant
 - Secretary: Adrian Zoicas

ITU-T Coordination Ad-Hoc

- **Primary Responsibilities**
 - Preparing positions towards ITU-T
 - Produced template for SDO submission to ITU-T (Q.REF1)
 - Will coordinate in future with ITU-R coordination ad-hoc
- **Workload**
 - Meets electronically or during plenaries
- **Appointed Position**
 - Convenor: Yun-Chao Hu (Ericsson)

A GLOBAL INITIATIVE

CN Meeting Schedule

15-19 Oct. 2001	CN WGs
26-30 Nov. 2001	CN WGs
12-14 Dec 2001	CN#14 (Japan)
14-18 Jan. 2002	CN WGs
6-8 Mar. 2002	CN #15 (Korea)
8-12 Apr. 2002	CN WGs
13-17 May 2002	CN WGs
5-7 Jun. 2002	CN #16 (USA)
29 Jul. – 2 Aug. 2002	CN WGs
4-6 Sep. 2002	CN #17 (France)
23-27 Sep. 2002	CN WGs
11-15 Nov. 2002	CN WGs
4-6 Dec. 2002	CN #18 (USA)

Items for PCG Attention

- **Slow response from IANA**
 - Code point registration needs to be speeded up (can take 6 months)
 - Problem often due to pointer to incomplete specs (IETF specs have been the problem)
- **Hilite potential issue with IETF dependencies**
 - IETF delivery dates not reliable
 - IETF does not have a focused workstyle
 - Prioritization and tight coordination being used

Items for PCG Attention (cont.)

- **Liaison authorization requested to LIF**
 - CN5 to coordinate with Location Interoperability Forum
 - www.locationforum.org
- **OHG initiative on IMS harmonization**
 - Generally a good idea but should not slow Rel5
 - Consistent responses from 3GPP & 3GPP2
 - Workshop planned for Q1 2002